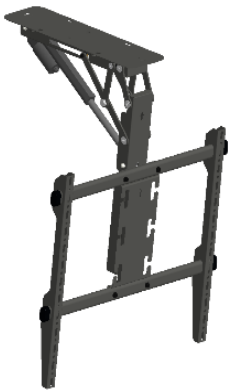
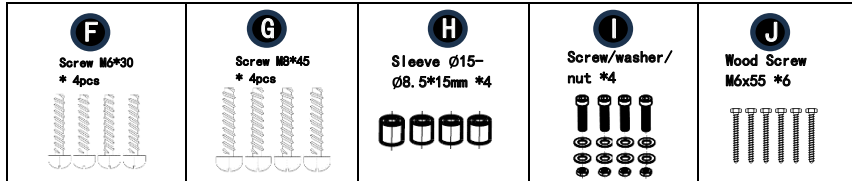
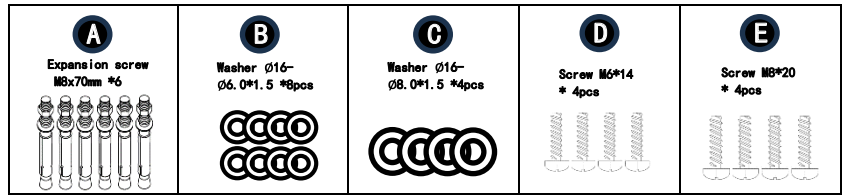


## Ceiling TV Electrical adjustable mount

Model No: TMO-CEM-001



Provide by yourself

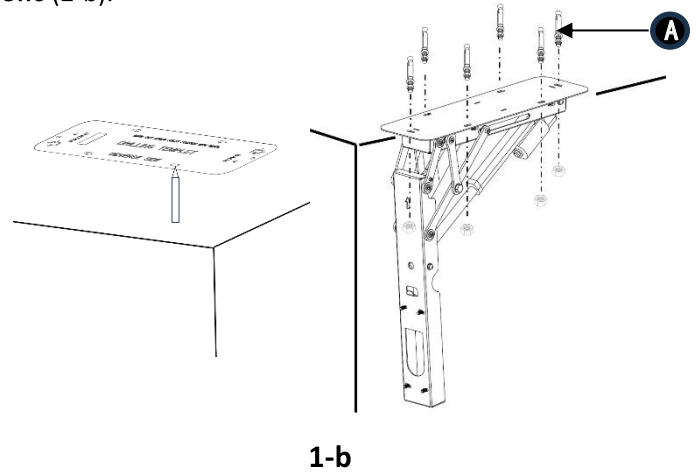
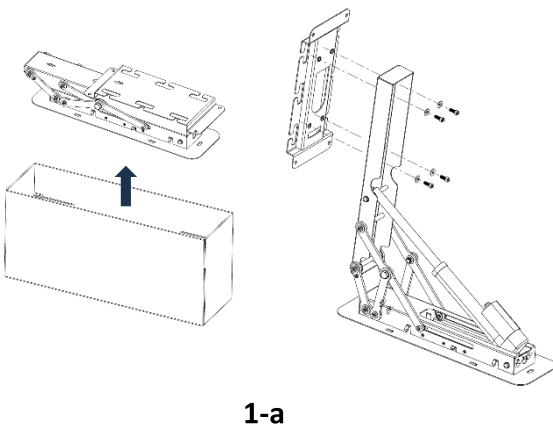


### TMO-CEM-001 TV electrical adjustable mount instruction manual

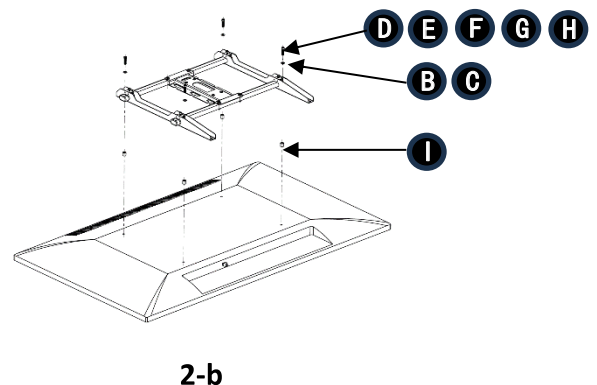
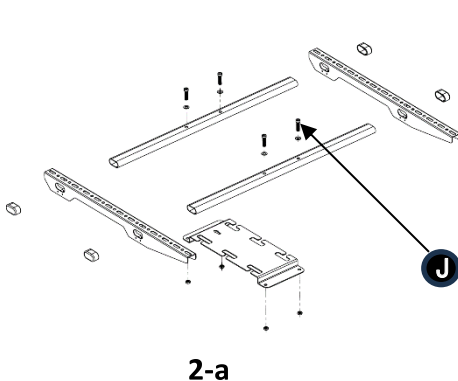
1: TMO-CEM-001 ,a compact ceilingTV mount, is specially for public place uses, suchus churches,hospital, pank,school, government oficehall, is also for private house use, To get better watching experence, user can adjust the angle by Remote.control, ine-control, and App { Optionafunctionalities, depending on actual model, the maximum capacity of hanging Ty screen is up to 40ke, and recommended VesA mounting size.are 200\*200mm,200\*400mm,400\*200mm, 400\*400mm,600\*400mm,400\*600mm and 600\* 600mm respectively.

2: Detailed Installation instructions:

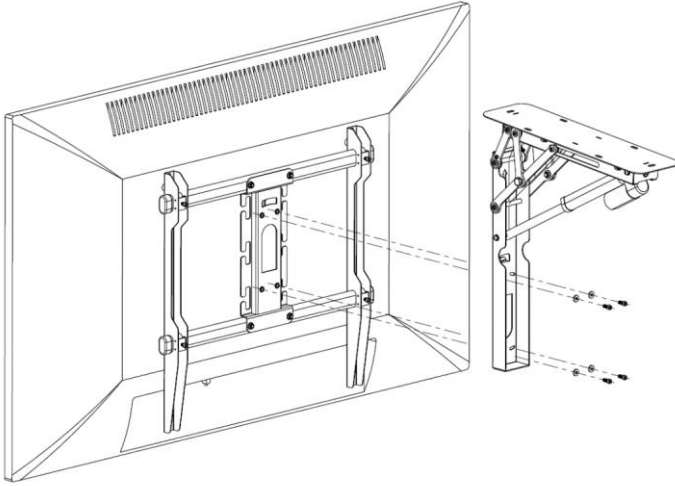
- ① Take out the mechanism from package, firstly open the hanger with electrical power, then detach TV hook bracket part, put side TV hook bracket for later use (1-a). Select proper position on ceiling for TV mount, mark out the drilling hole position with paper templet, then drill holes with E-driller. Force the expansion screws into drilled holes with hammer, then secure the mechanism on expansion screws (2-b).



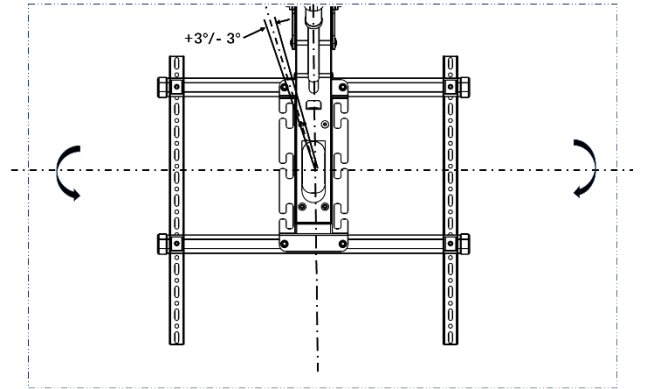
- ② Assemble TV hook group, left four fixing screws untightened (2-a). Assemble TV-hook group upon the back of TV screen, and tighten the screws of hooks to fix the hook position (2-b).



- ③ Hang TV screen with TV hook group up mechanism, there is special feature for assembling aligning, than fix it with screws. (The screws originally fix hook panel on mechanism, here are used to fix TV screen with hook group) (3-a). By moving the screws in trajectory holes, can fine-tune TV screen level angle. (3-b)

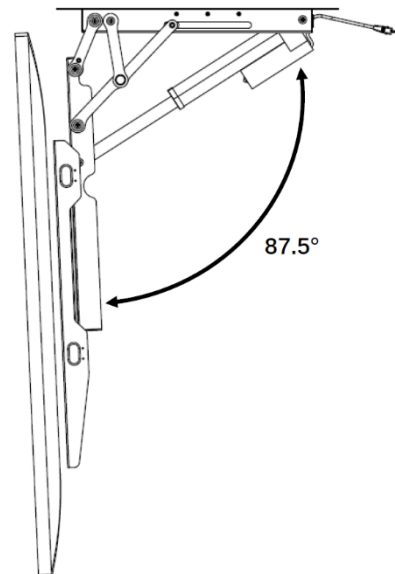
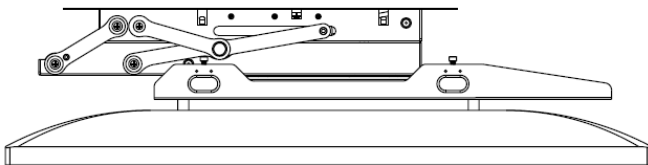


3-a



3-b

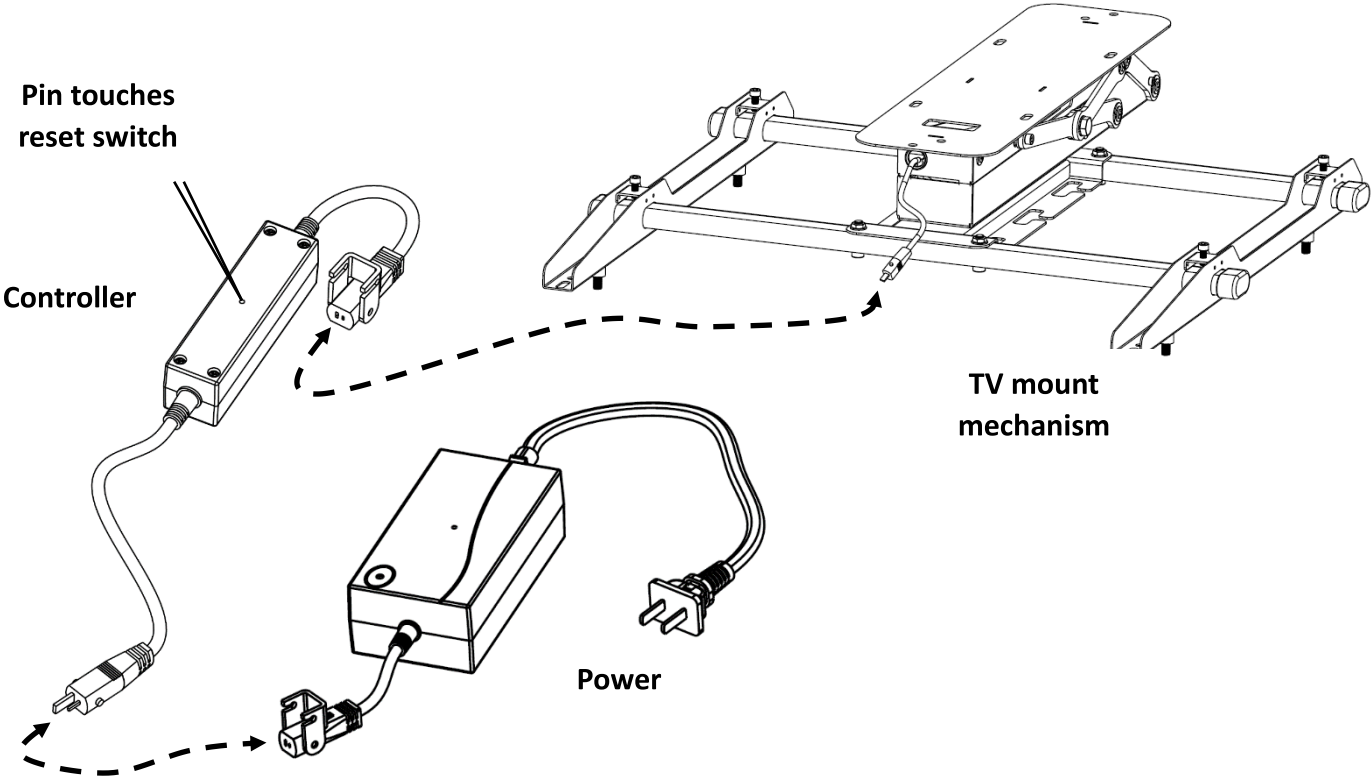
- ④ Connect the power, and adjust the TV screen by remote control, Line-control and APP software, The maximum open angle is  $85^\circ$  as below pictures shown.



- ⑤ Remote control connection. The mechanism uses 2.4G technology, can automatically pair the controller and remote

handset. If occasionally happen mis-connection issue, please use a thin pin to touch Reset switch, then re-connect controller again.

Below is mechanism, power and controller connection drawing,



**Warm tips:**

Above installation are just for reference, the drawing and accessories should be subject to the received material. When installing, make sure the screws are properly tightened, For your safety, the screen size and loading weight must be within specified rating, otherwise we will not take the responsibility to possible injuries and damages.