



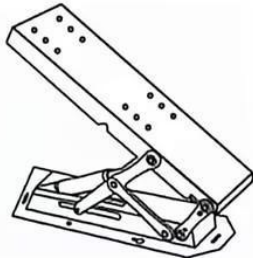
Instruction for ceiling TV mount: TMO-CEM-002

Load Capacity **50kg**

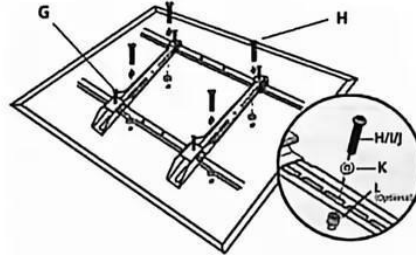


A φ7*φ10*50mm 	B M7*50mm 	D M5*10mm 	E M6*30mm 	F M6 	
G M6*16mm 	H M4*20mm 	I M6*30mm 	J M8*30mm 	K φ8*φ17*1.7mm 	L Tube

1. Connect to the power supply and adjust it to the max open state.

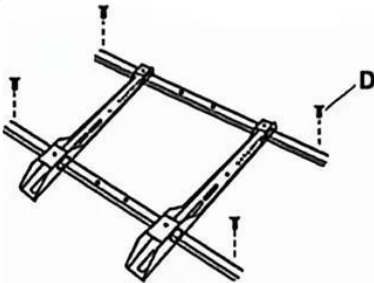


4. Unscrew H to remove the frame from the TV. But do not unscrew the safety screw G which is for lock the right position for frame.

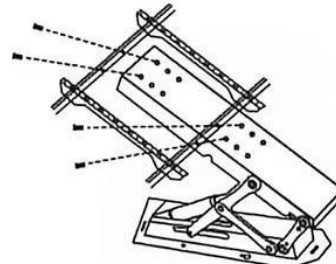


2. Install the frame

Insert the two beams into the two holes on the upper and lower sides of the hook respectively, and fix the screw at both ends of the beams.



5. Install the frame to the top panel of the TV lift by screws. There are 3 levels of holes which should be selected in step 4.

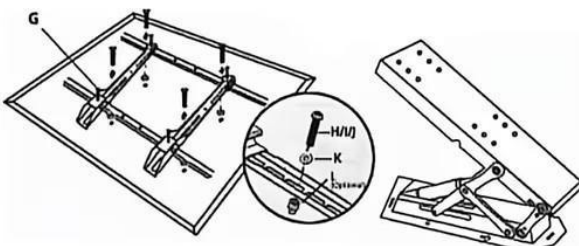


3. Measure size for TV installation

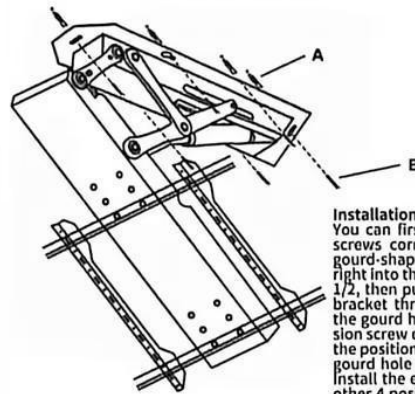
Select the appropriate holes for the two vertical hooks of the assembled frame, and connect frame to the holes on the back of the TV.

Install the safety screws on the upper and lower hooks respectively.

Measure the size of the TV and the frame in order to find a proper holes on the TV lift panel.



6. Place the bracket wall panel to where it is to be installed, mark the hole position and drill the hole, put the expansion tube into the hole, and pass the expansion screw through the wall panel to fix the bracket body.



Installation tips:
You can first screw the expansion screws corresponding to the two gourd-shaped holes on the left and right into the expansion plug about 1/2, then put the main body of the bracket through the large hole of the gourd hole to cover the expansion screw cap, and then move it to the position of the small hole of the gourd hole to temporarily hang it. Install the expansion screws in the other 4 positions, and finally fix all the expansion screws to make the installation more labor-saving.