

Installation Instructions for Ceiling Mounted Electric Flip TV Stand

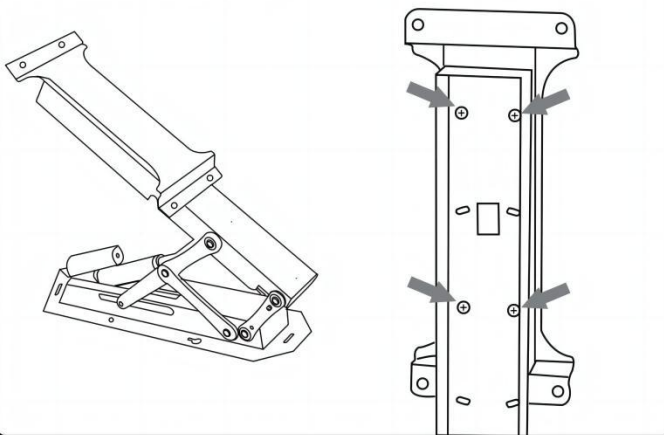
MODEL:TMO-CEM-003



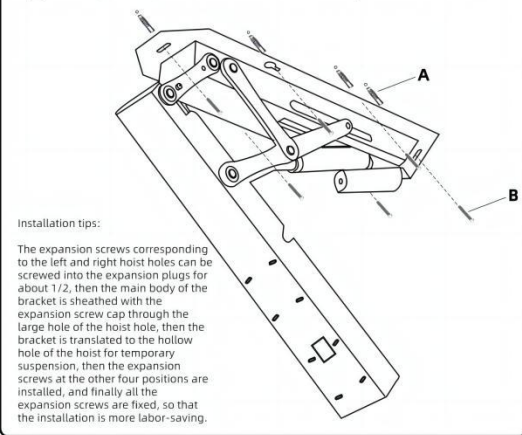
A φ7*φ10*50mm	B M7*50mm	C	D M5*10	E M6*30mm	F M6
G M6*16mm	H M4*20mm	I M6*30mm	J M8*30mm	K φ8*φ17*1.7mm	L

(This tool should be prepared by yourself)

1. Connect the main body of the bracket to the power supply and adjust it to the open state. Use a screwdriver to unscrew the four fixing screws on the inner side, and remove the front connecting hanging plate for standby.

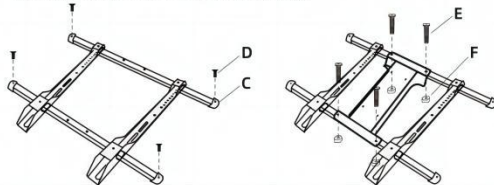


2. Place the support wallboard to be installed, mark the hole position and punch holes, put the expansion pipe into the hole, and fix the support body through the wallboard with the expansion screw.



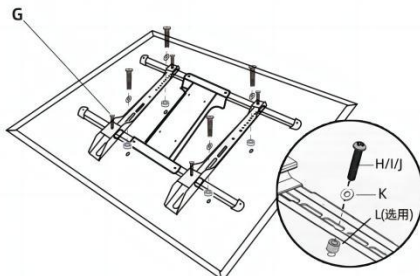
3. Install the trellis

- The two beams shall be threaded into the two holes on the upper and lower sides of the hook respectively, and the plugs at both ends of the beam shall be installed and fixed with screws.
- The upper and lower four holes of the connecting clevis are connected with the four holes in the middle of the beam through bolts and nuts.



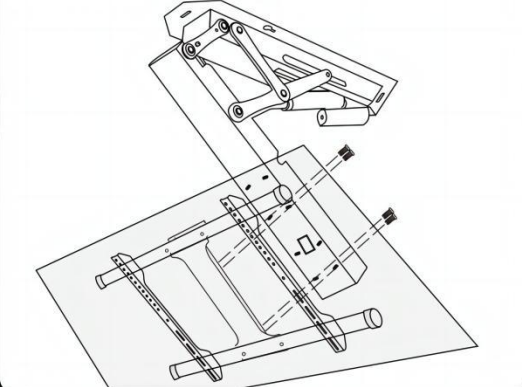
4. Connecting a TV

- Select two vertical hooks of the well frame to fit the hole position, and connect the well frame to the hole position on the back of the TV.
- Install the upper and lower safety screws of the two hooks respectively



5. Install TV

As shown in the figure, connect and fix the four hole positions of the connecting hanging board with the TV well connected to the hole positions of the front end of the main body with the spare screws removed in step 1.



reminder

The above installation steps are for reference only, and the installation drawings and accessories shall be subject to the actual objects received. During installation, please ensure that the screws and nuts are tightened properly. For your use safety, you must use this product within the specified size and weight range and ensure that the quality and bearing of the installation wall are OK. Otherwise, we will not be responsible for any consequences caused by the installation. If it is installed on glass or glass curtain wall, foam brick, marble, fiberboard board, please consult a professional installer before installing, otherwise we will not be responsible for any consequences caused by the installation!