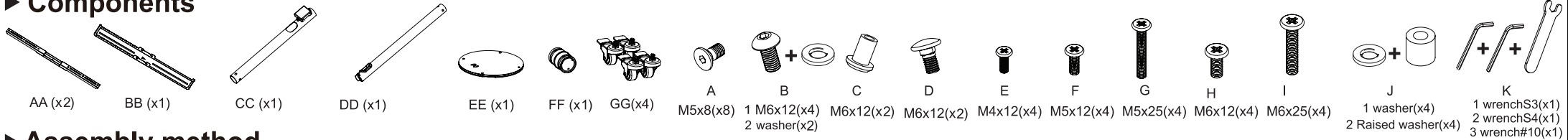


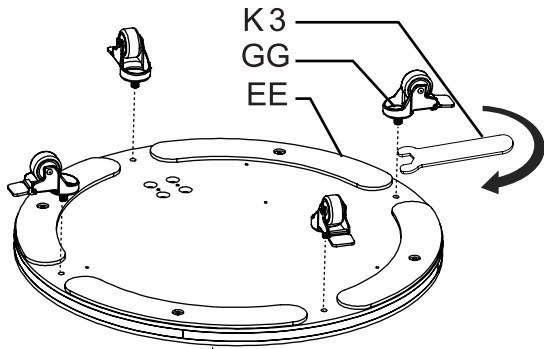
TMO-FLS-001 INSTALLATION INSTRUCTION

► Components

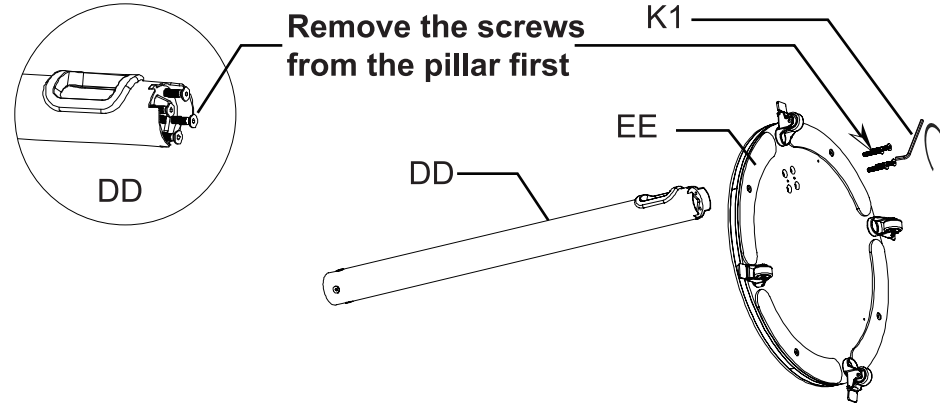


► Assembly method

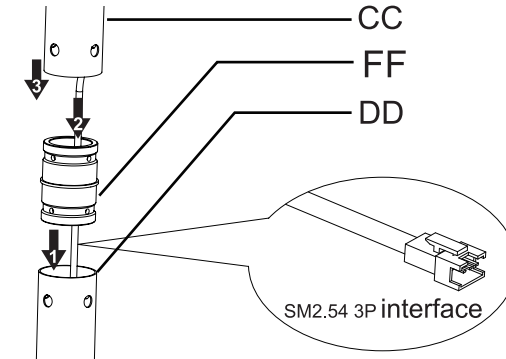
① Assemble the wheels on the base plate



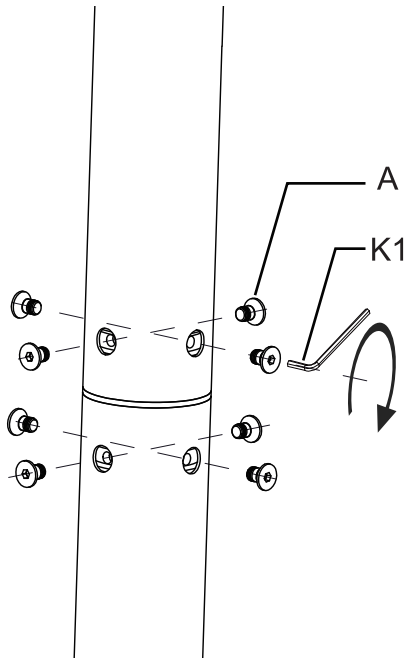
② Bottom plate connection lower column



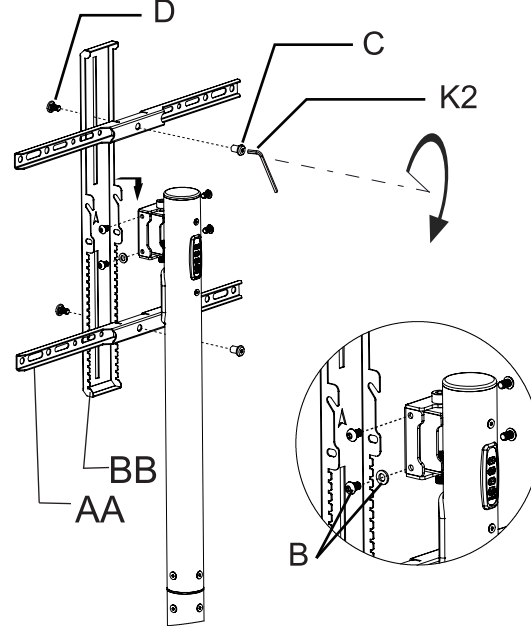
③ Use column connectors to connect the upper and lower columns



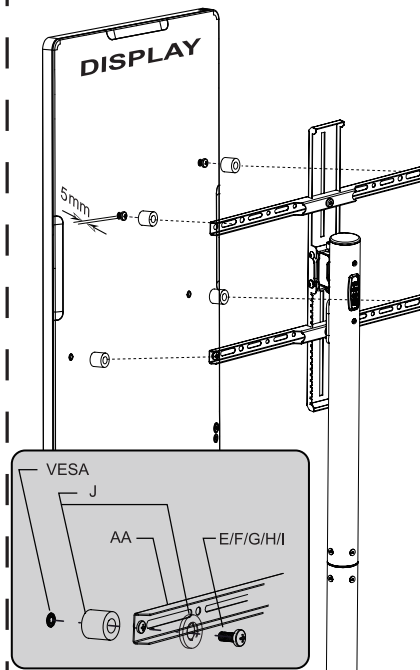
④ Fix the column with screws



⑤ Assemble the panel and hanging strip on the bracket



⑥ Mount the monitor on the bracket



⑦ Function

