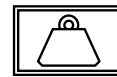
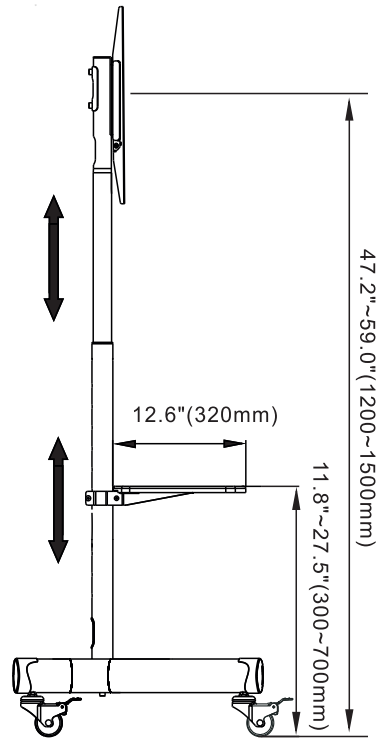
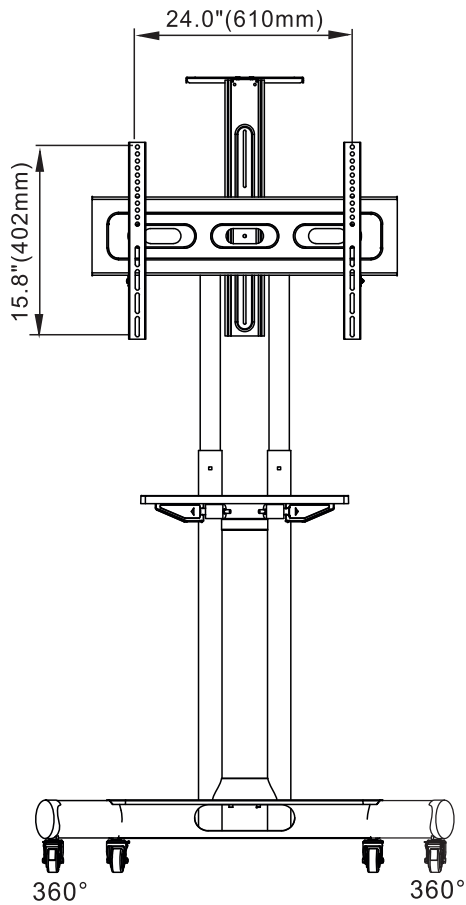
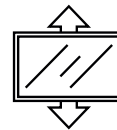


Product specifications

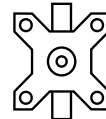
TMO-FLS-005



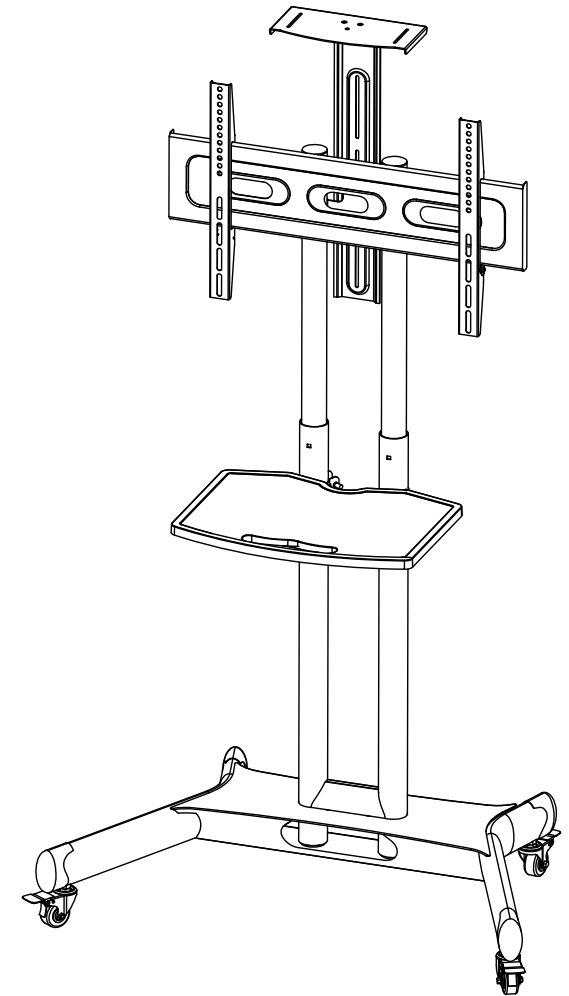
Max weight
45.5 kg
100 lbs



Height adjustment
1200 - 1500 mm
47.2" - 59"

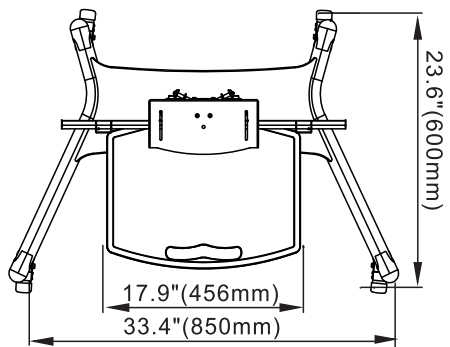


VESA
100 x 100 ~
600 x 400 mm

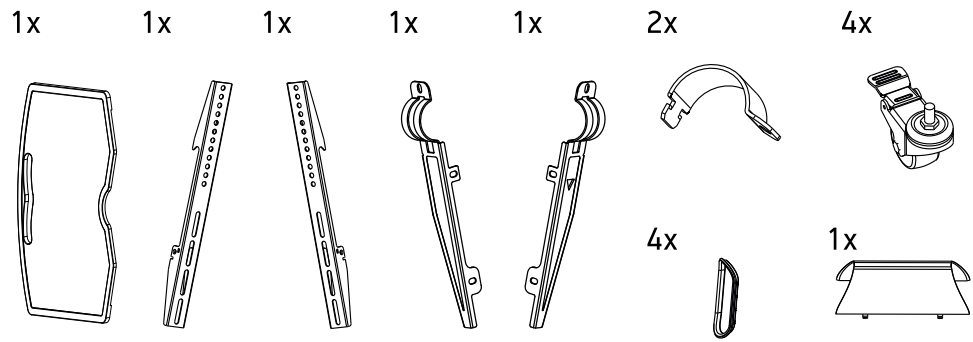
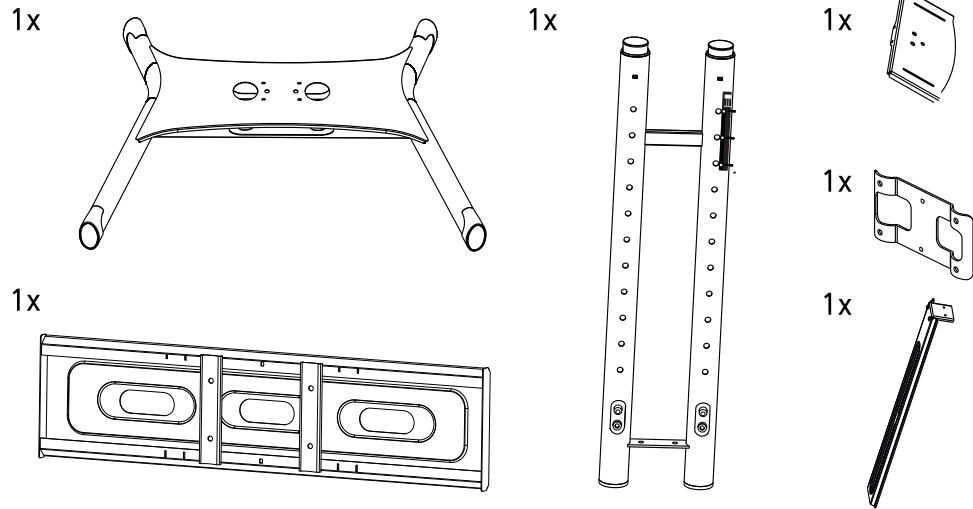


MOUNTING INSTRUCTIONS

Mobile TV stand for **40" - 70"**

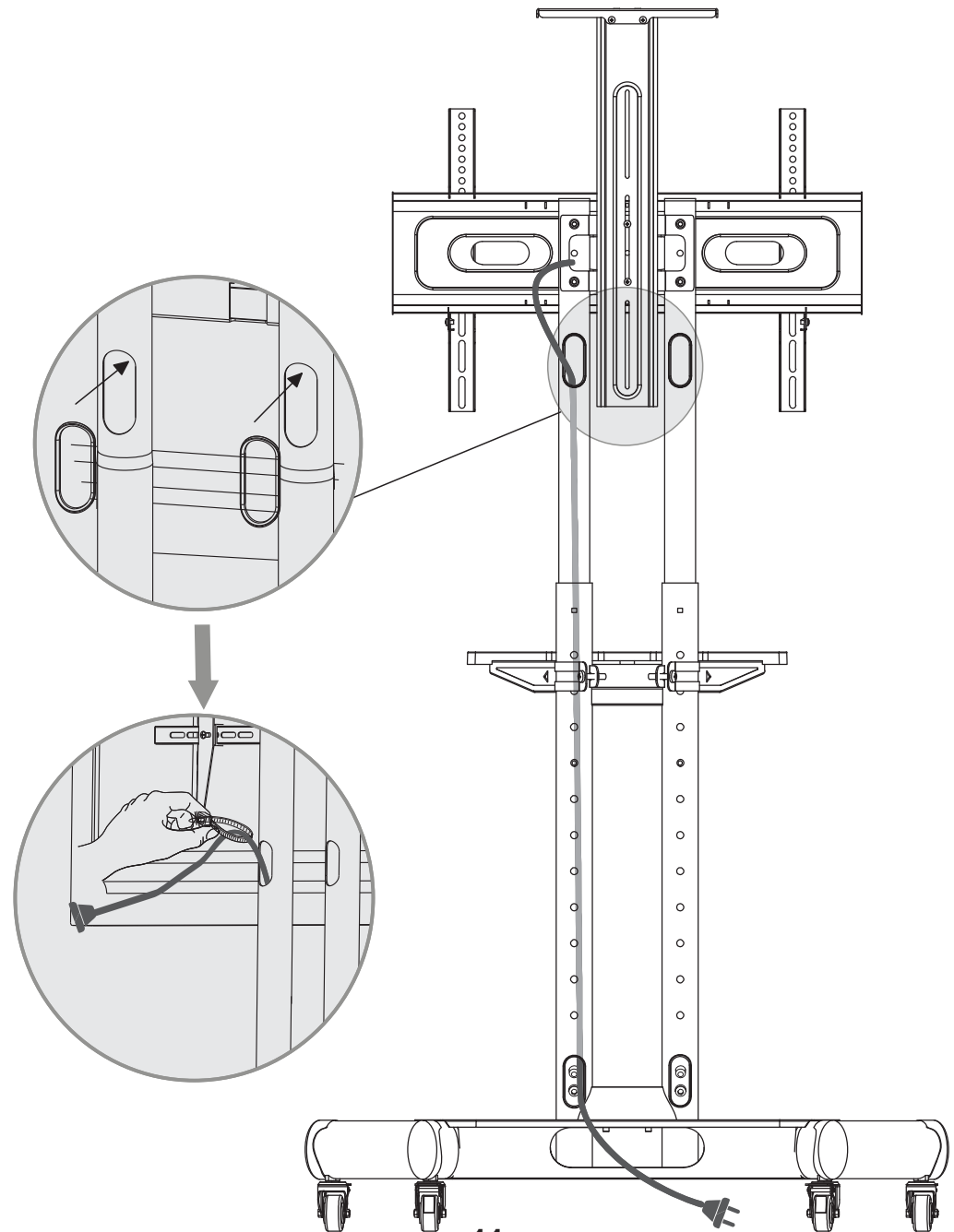


Cables and wires installation



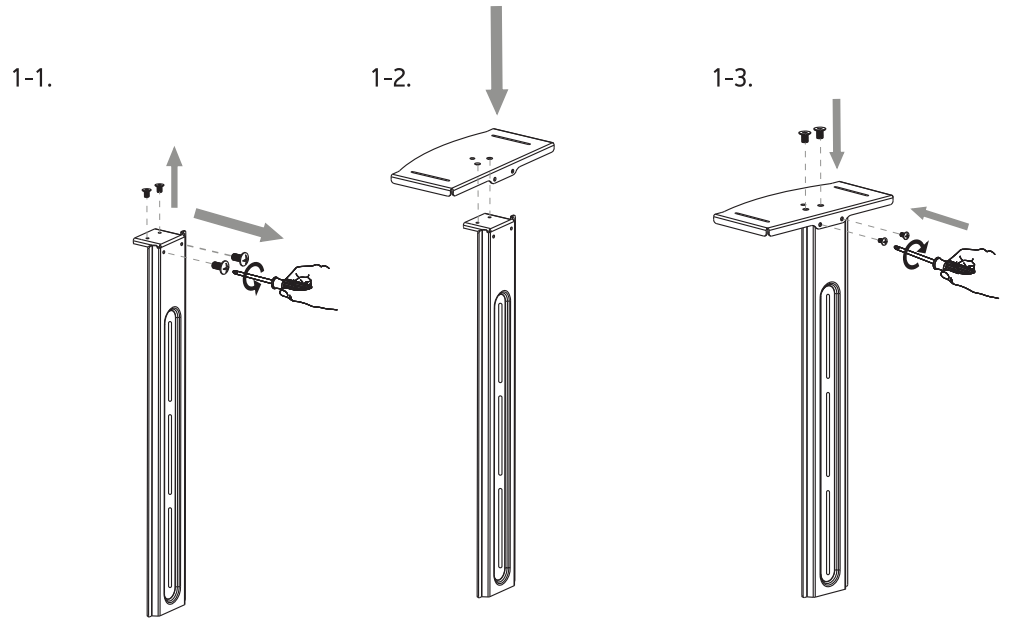
- | | | | |
|-----------------------------|--|------------------------------|--|
| A1 M5x25 (x4) | | A2 M8x25 (x6) | |
| B1 M6x25 (x4) | | B2 M8x55 (x4) | |
| C1 M8x25 (x4) | | C2 M5x12 (x2) | |
| M8x50 (x4) | | D2 (x1) | |
| D1 16x6.2x1.5mm (x4) | | E2 16.5x12.5x2mm (x4) | |
| E1 17x8.2x12mm (x4) | | F2 S6 (x1) | |

2

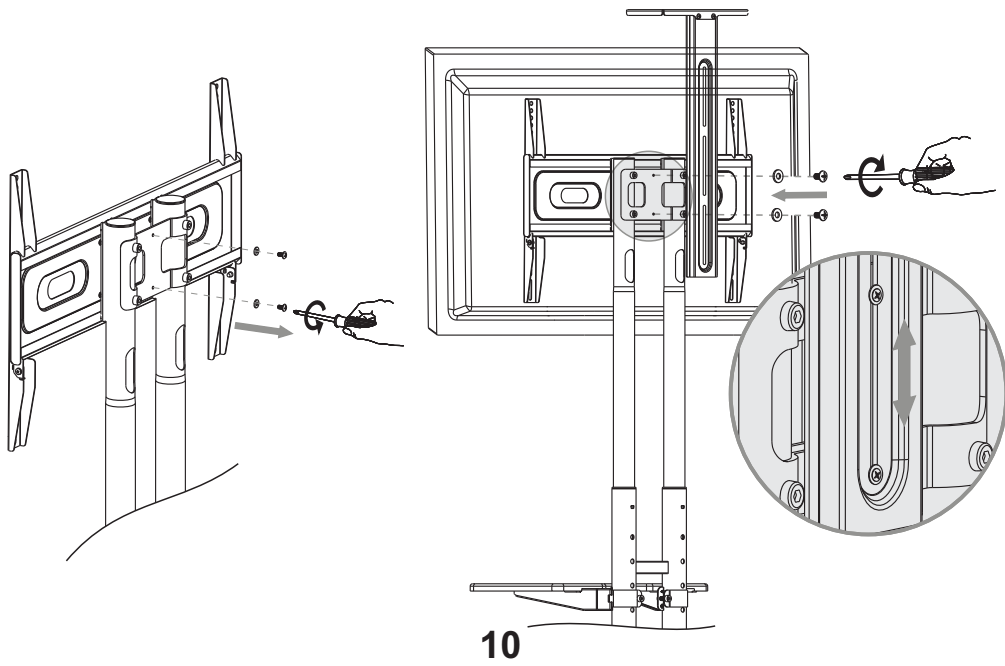


11

Video tray installation

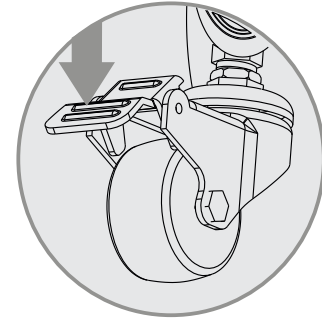


2. Adjustable height

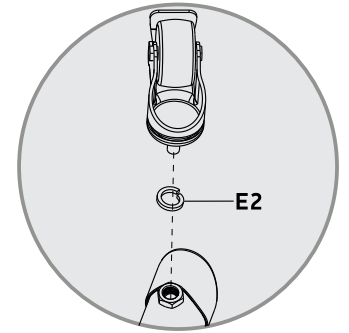
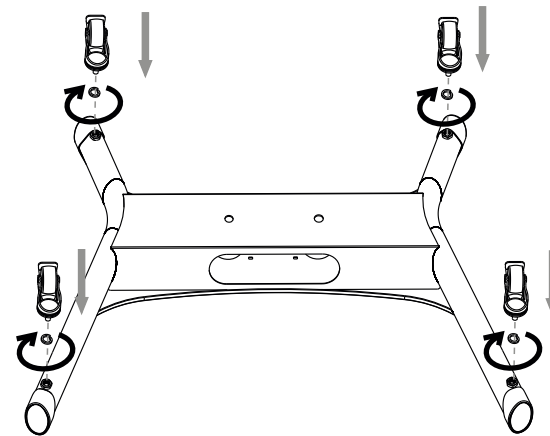


Installation of the wheels to the base

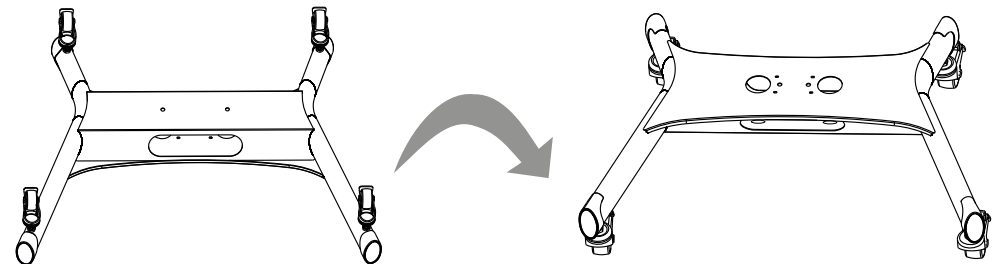
1. Lock the wheels before installation



2.



3.

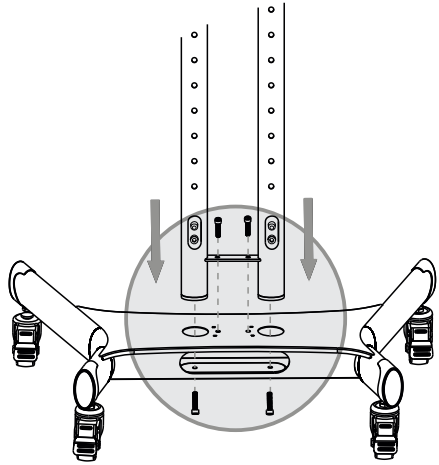


3

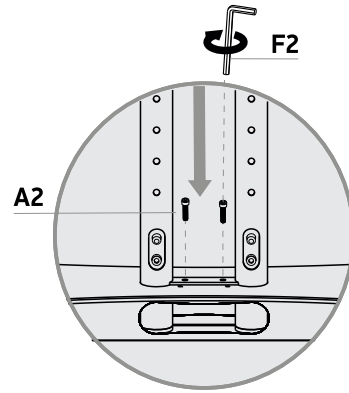
Installation of the poles to the base

1-1.

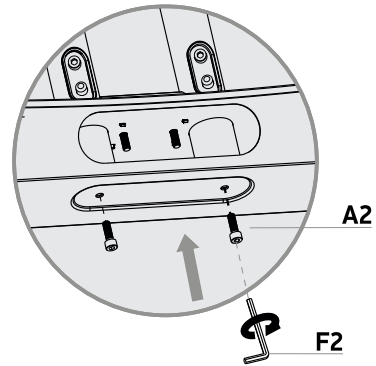
Make sure cable management's windows are facing the rear of the base



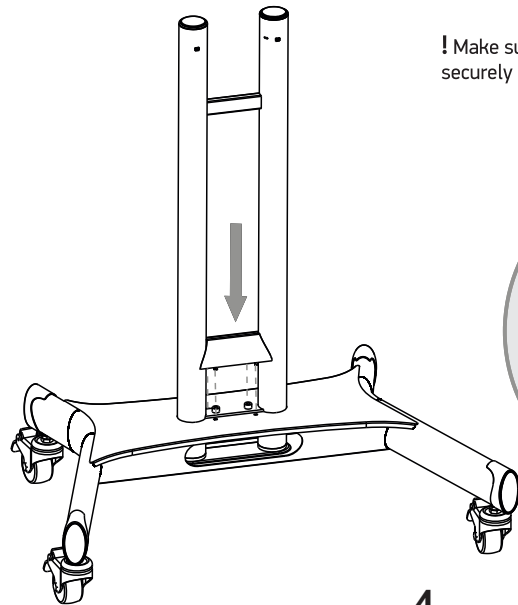
1-2.



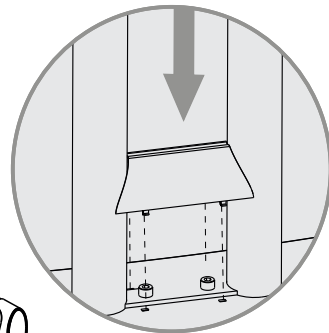
1-3.



2.



! Make sure the screws are securely tightened

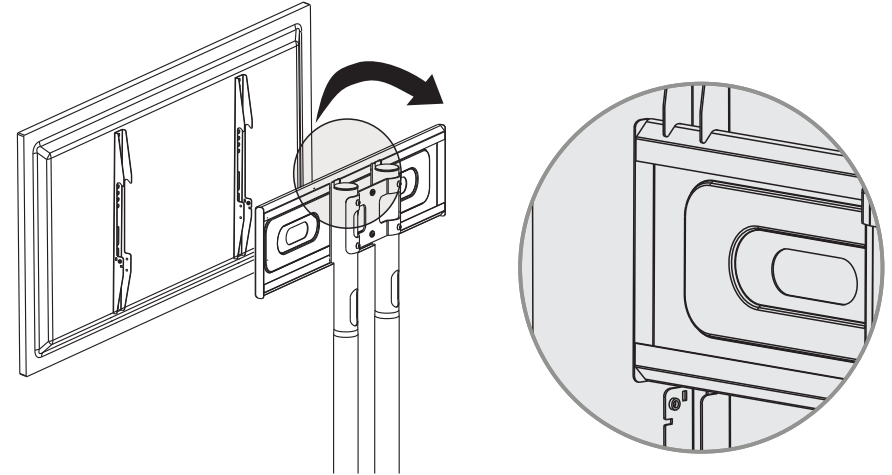


4

Mounting TV on pole interface

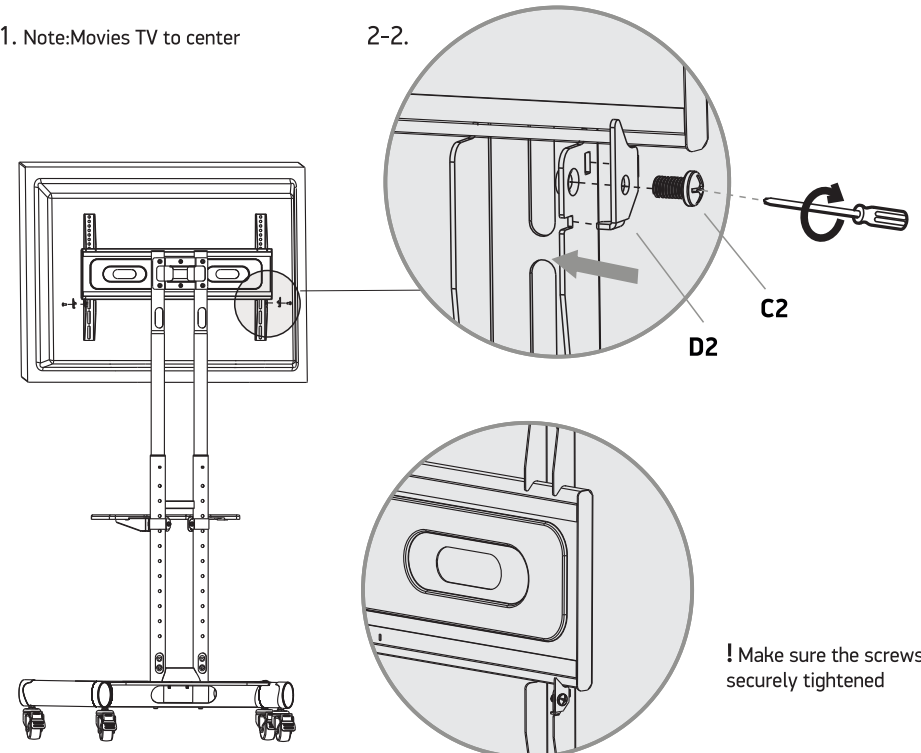
1-1.

! Warning
In order to avoid accidents 2 people are needed to mount the TV



2-1. Note: Movies TV to center

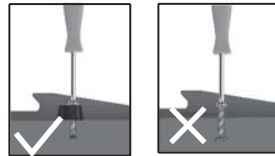
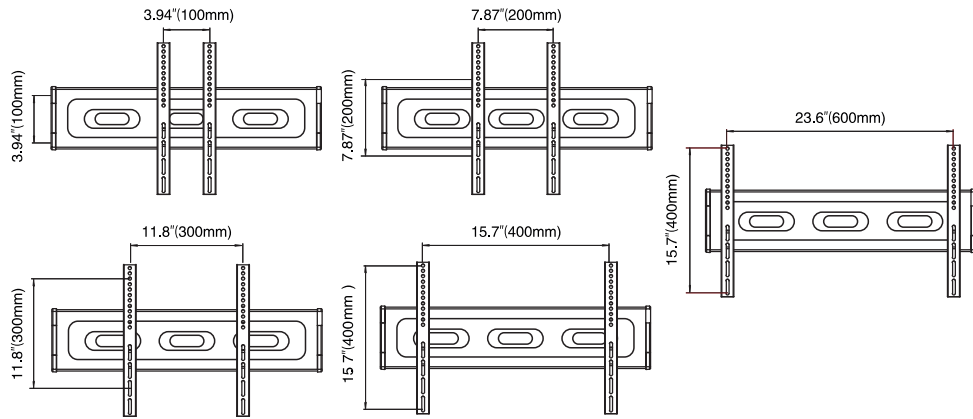
2-2.



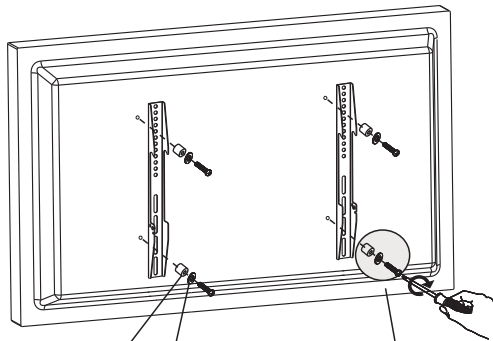
! Make sure the screws are securely tightened

9

Rail installation to the TV



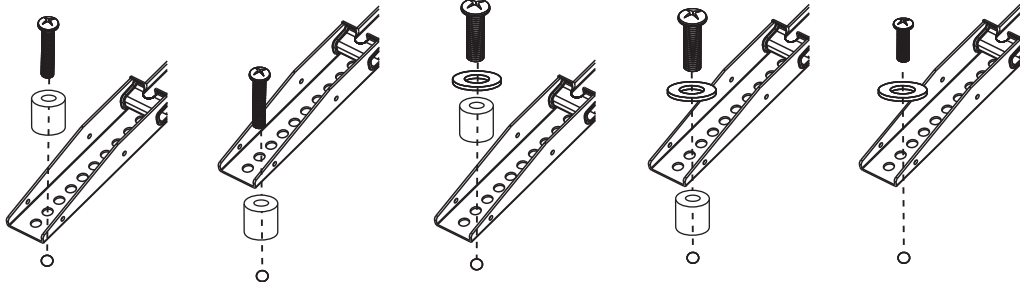
! NOTE:
To avoid damage plastic spacer must be used when depth of mounting holes is minimal



E1 D1 A1/B1+D1+E1; A1/B1+D1; C1/M8x50 +E1

M8x25mm(C1) M8x50mm

M5x25mm(A1) M6x25mm(B1)



8

Install telescopic mounting poles

1. Unscrew cap screw on the right lower pole by using F2 (6mm allen key) from hardware pouch. Put the cap screw aside. (See Figure 1)
2. Use both hands to grip upper right pole, twist and pull it upwards until you set your desired height. After that twist the pole back towards plunger holes direction and engage spring ball into the plunger hole and set it. Secure the cap screw firmly as shown in Figure.
3. Repeat step 2 with the left pole

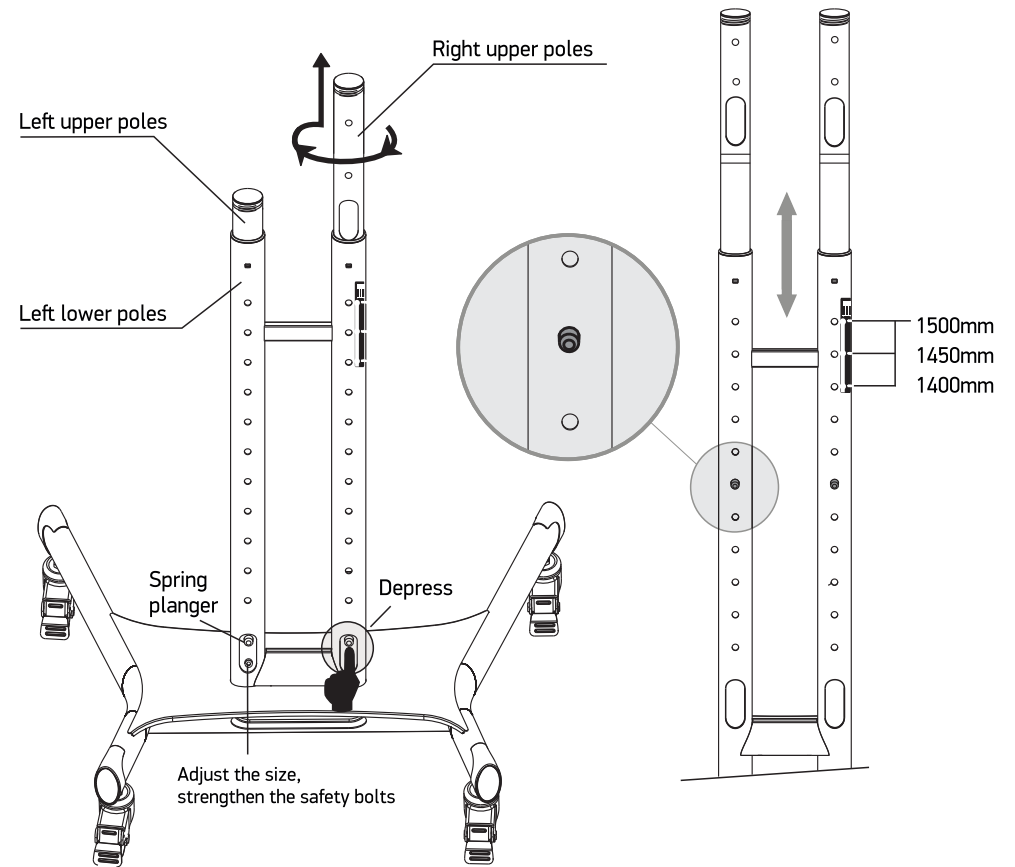


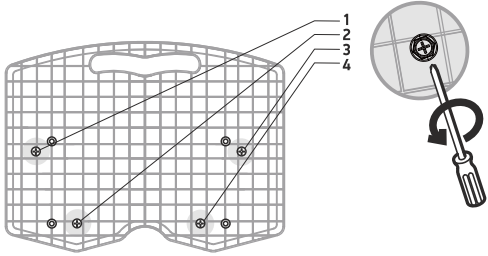
Figure 1

5

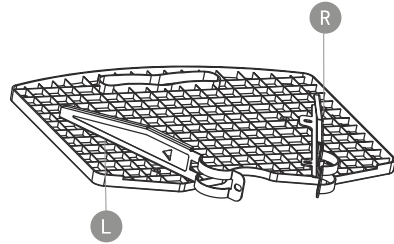
Figure 2

AV shelf assembly and installation

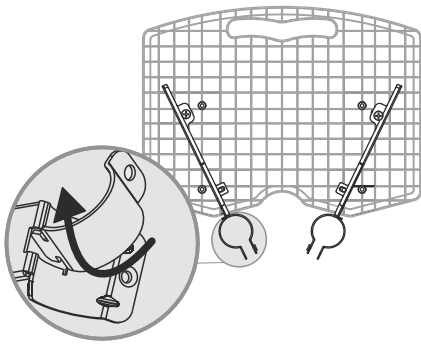
1-1.



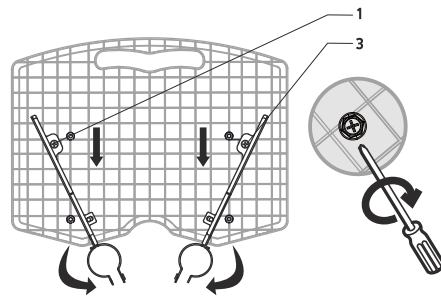
1-2.



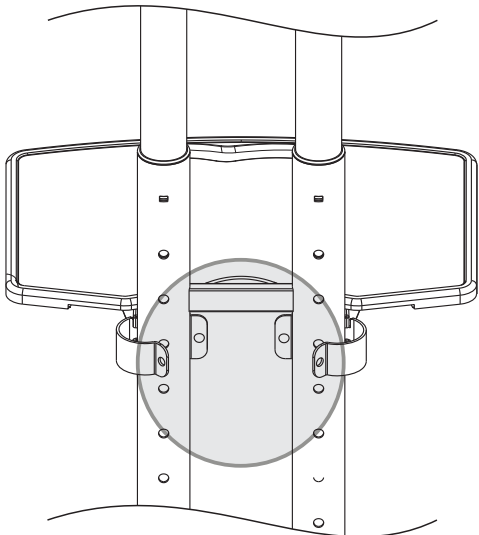
1-3. In order to attach steel half-ring to the shelf holder you need to turn the half-ring



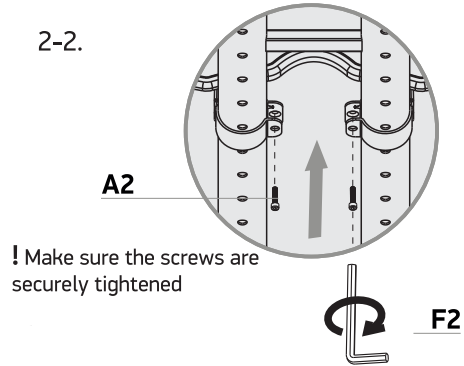
1-4.



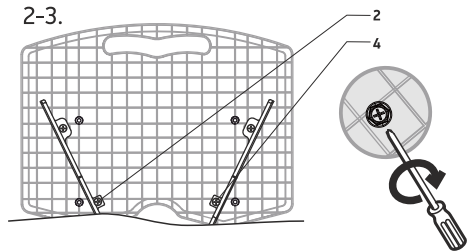
2-1.



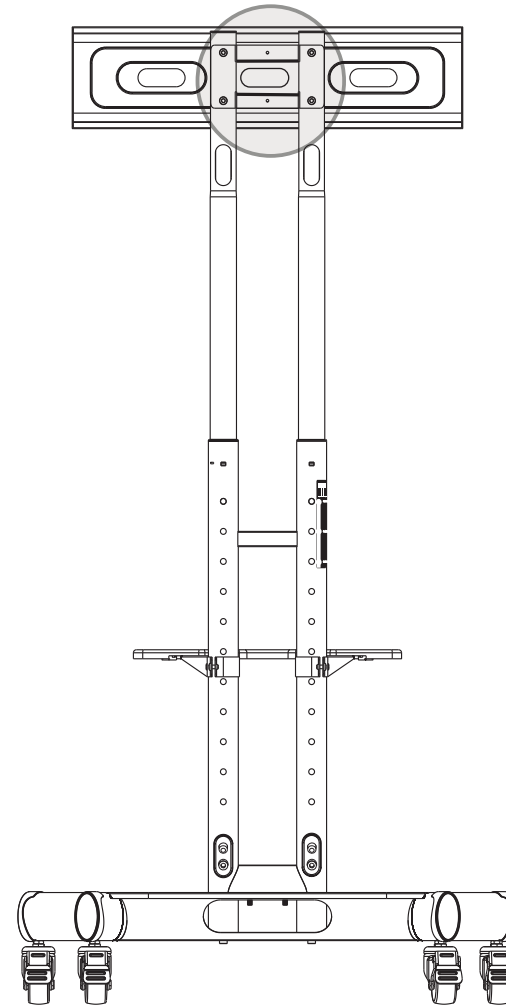
2-2.



2-3.

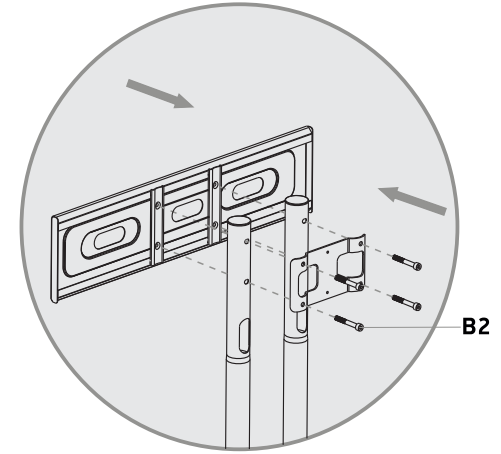


6

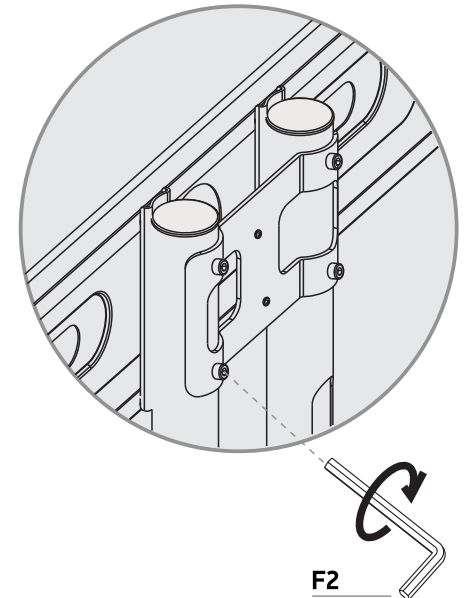


Installation of interface

1-1.



1-2.



7