

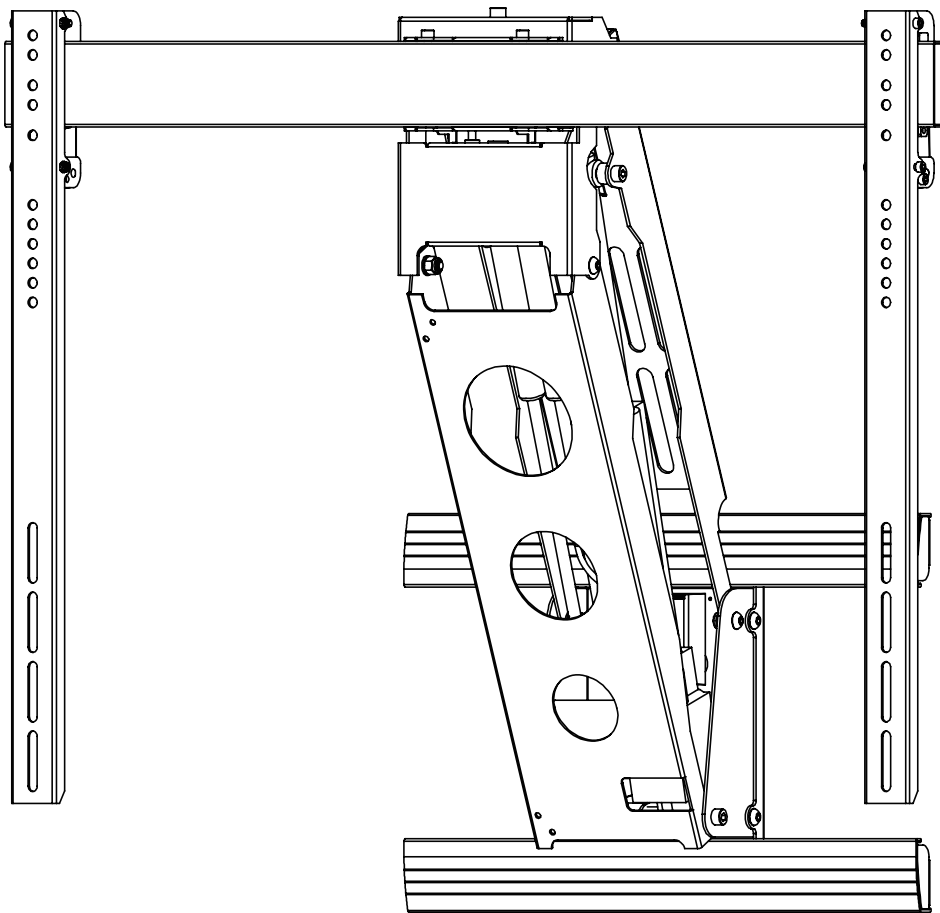
INSTALLATION GUIDE

Mantel Arm Mount

TMO-FPL-002

Support 45" to 100" Screens
Load Capacity: 110 lbs (50 kg)

VESA 800x600 compatible

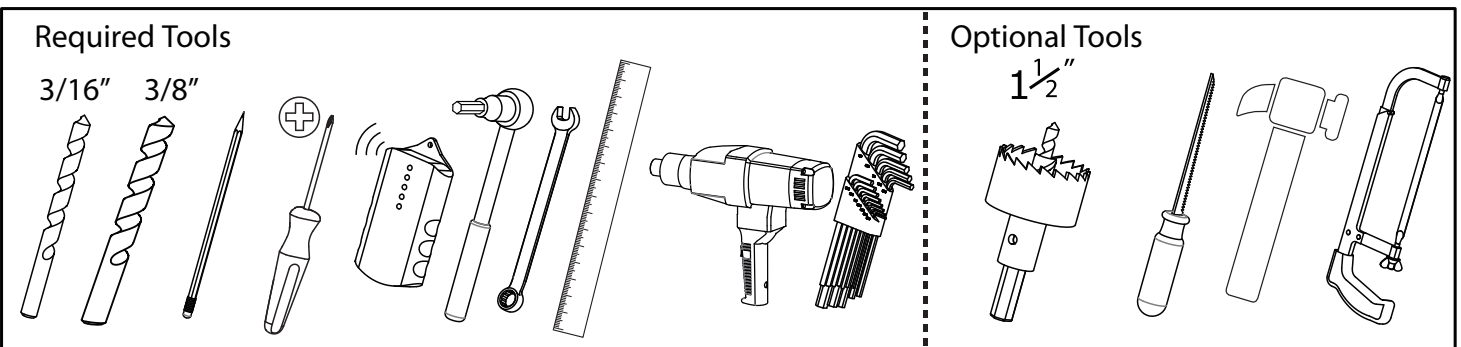


 This bracket is made of recyclable steel.

⚠ WARNING

- Be sure to read this entire manual thoroughly and you fully understand all the instructions and warning before attempting to begin your installation.
- Sufficient expertise is required for installing of this product. Be sure to subcontract the installation to a qualified person. Ensure special attention to safety is paid during installation. Tranquil mount is not liable for any damage or injury caused by mishandling or improper installation, or by installing anything other than the specified product. Your Statutory Rights, (if any) are not affected.
- If the safety precautions are not observed or the product is used incorrectly, it may result to serious injury or damage to your wall and TV. This instruction manual shows the correct handling of the product and important precautions necessary to prevent accident. Be sure to read this manual thoroughly and use the product correctly. Keep the manual available for future reference.
- Ensure your hands and fingers stay clear from the adjustable moving mechanics at the back of the bracket. This is to avoid your fingers getting trapped. Please supervise children when this product is in use.
- This product is supplied with small parts for installation. For your children's safety please keep out of reach of children at all times.
- This product should only be installed by someone who has a basic knowledge of building construction, installations and fully understands these instructions.
- Make sure that the supporting surface will safely support the combined load of the mount, the display and all attached hardware and components.
- This wall bracket will only supporting flat panel displays(LCD, Plasma). The maximum load capacity is 110 pounds.
- If mounting to a wall of wood stud construction, be sure that mounting bolt are anchored to the center of the studs, When installing the TV mount on a concrete wall, the wall must be at least 8"(203mm) thick with a minimum compressive strength from 2500 to 3000 psi (17.2 to 20.7 MPa), the concrete wall must meet ASTM C39. When installing the TV mount on a cinder block wall, the cinder blocks must meet ASTM C216 specifications and have a minimum nominal width of 8"(203mm). Be sure to mount in a solid part of the block, generally 1"(25 mm) minimum from the side of the block. Do not drill into mortar joints! If plaster/drywall is thicker than 16mm, custom fasteners must be supplied by the installer.
- Always have someone assist you to lift and position your equipment.
- Tighten screws and bolts firmly, but do not over tighten. Over tightening can damage the items and greatly reduce their ability to hold. Please refer to suggested torque values where applicable in these instructions.
- Screws must be tightly secured, but do not overtighten any screws (especially the four hex bolt screws M8x63.5mm) or damage can occur and product may fail.

Tools Needed for Assembly



Before you begin, please verify that all components are included and undamaged. If any parts are missing or damaged, contact Product Supplier, Never proceed with missing or damaged parts! Lay out all components and make sure you identify that each one has a match in the diagram. Some of the parts included will not be used during installation. Do not proceed if you do not understand and identify all of the components.

Table of Contents

Parts List	3
Critical requirements of the installation 	4
Installation of the bracket	5, 6
Installation of Screen & adjustment of the limit screw	7
Product dimensions	8
Maintenance instructions	8

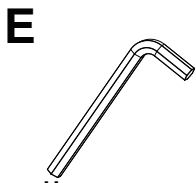
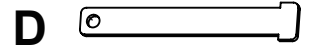
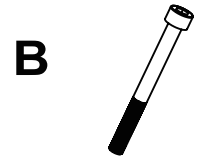
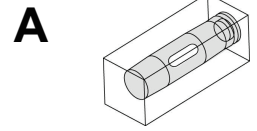
Before you begin, make sure all parts shown are included with your product.

Parts may appear slightly different than illustrated.

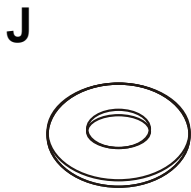
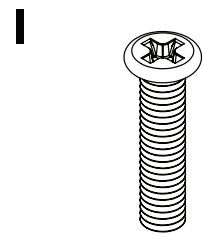
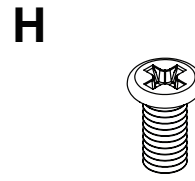
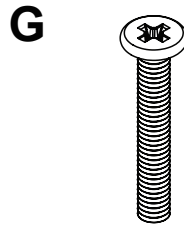
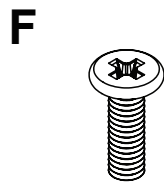
Parts List

Description

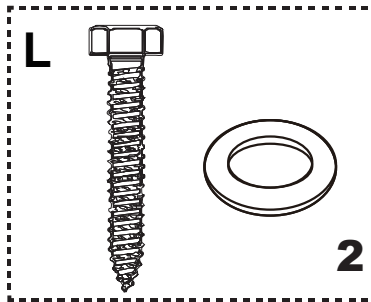
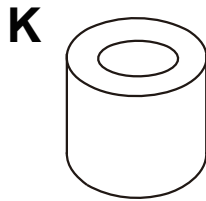
A	MAGNETIC SPIRIT LEVEL	1	15x15x40
B	Socket heal screw	2	M6x80
C	philips pan head screw	2	M5x10
D	Hook block slice	2	Standard accessories
E	Hexagon wrench	1	M5
F	philips pan head screw	4	M6x12
G	philips pan head screw	4	M6x25
H	philips pan head screw	4	M8x12
I	philips pan head screw	4	M8x25
J	washer(1)	4	φ16xφ6.2x1.0
K	spacer	4	φ17.0xφ9.0x14.0
L	Hex bolt screw	4	M8x63.5
	washer(2)	4	φ16xφ8.2x1.5
M	Expansion pipe	4	M10x61
N	allen pan head screw	8	M8x10



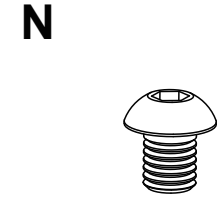
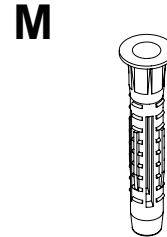
Hexagon wrench
M5(x1)



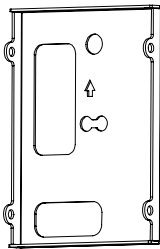
1



2

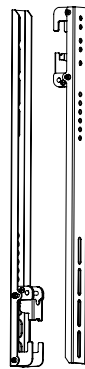


AA



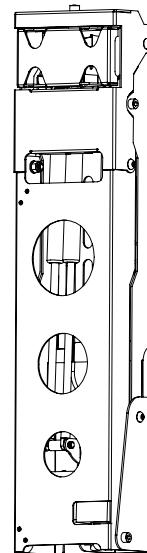
Wallboard connection(x1)

BB



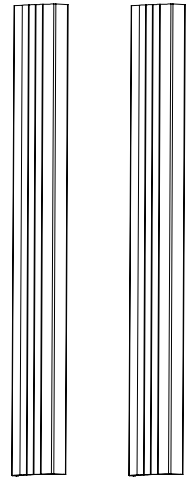
hook(x2)

EE



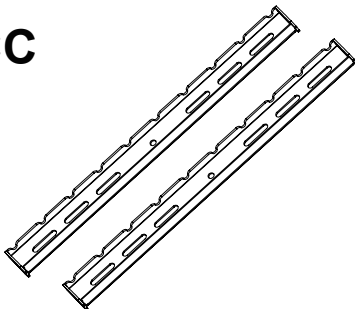
bracket(x1)

FF



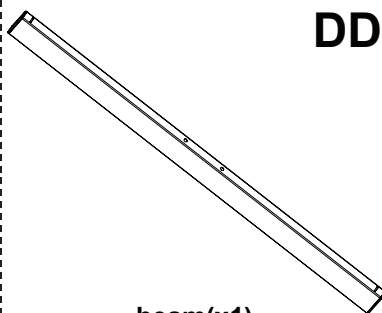
Wall panel cover(x2)

CC



wallboard(x2)

DD



beam(x1)

CRITICAL requirements of the installation



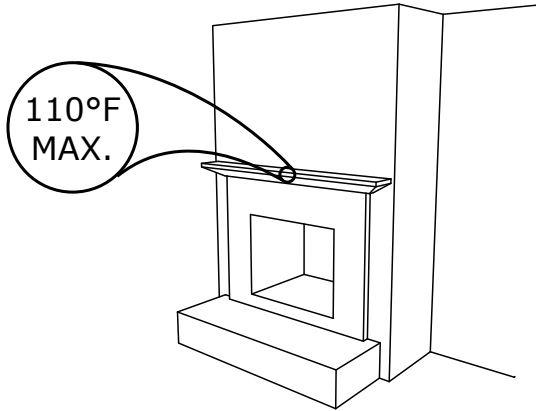
⚠ WARNING

- Make sure that the supporting surface will safely support the combined load of the equipment and all attached hardware and components, Bracket installation need two people together to complete.



1

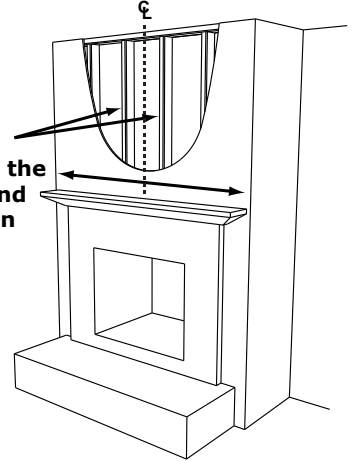
Temperature at the front edge of mantle should never exceed 110° F(43C).



2

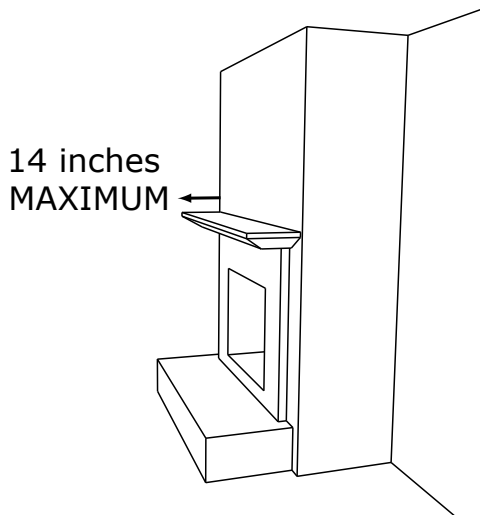
If the main wall is wooden, There must be at least 2 studs available for mounting. If the main wall is concrete or brick wall, please refer to the S4 installation points. Mind you, the wall covering must not exceed 5/8 inches thick.

2 STUDS
(This two studs need along the mantel center symmetric, and the center distance between two studs not more than 16")



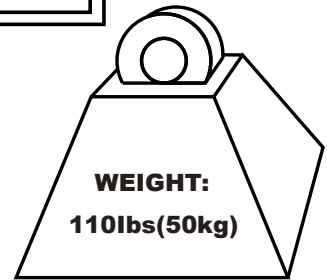
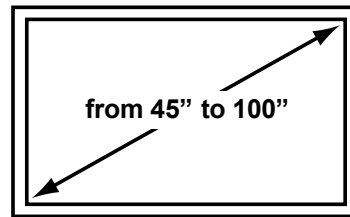
3

Mantle must not extend from mounting surface more than 14 inches.



4

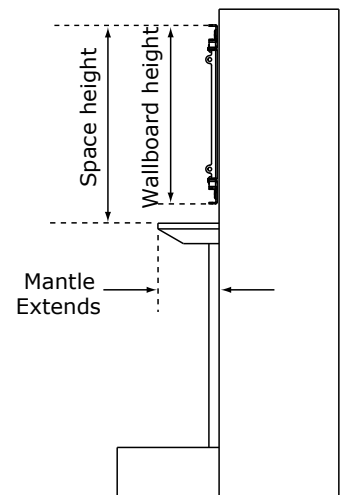
TV weight must be between 110 lbs(50kg) and have a screen size from 45" to 100". Consult TV Owner's Manual for verification.



5

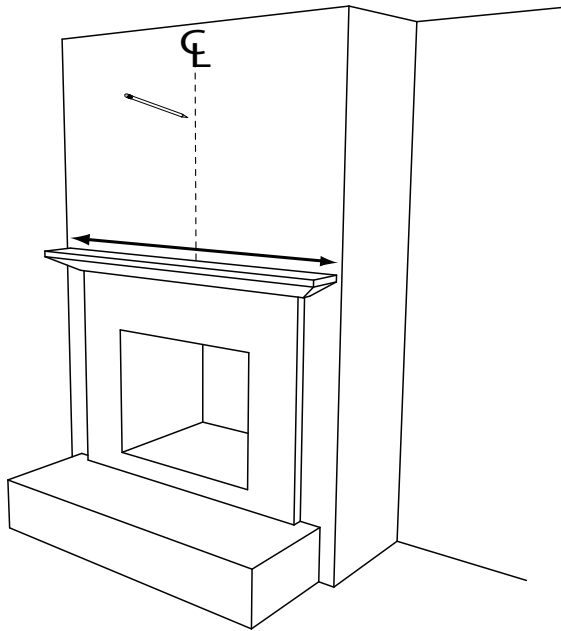
The space above the mantle must be taller than the wallboard. The required space depends on how far out the mantle extends. Refer to chart below and add this additional height to wallboard height to determine if space is tall enough.

If mantle extends:	This is required space height:
Less than 8 inches	TV wallboard height plus 8 inches
8 - 10 inches	TV wallboard height plus 9 inches
10 - 12 inches	TV wallboard height plus 10 inches
12 - 14 inches	TV wallboard height plus 11 inches

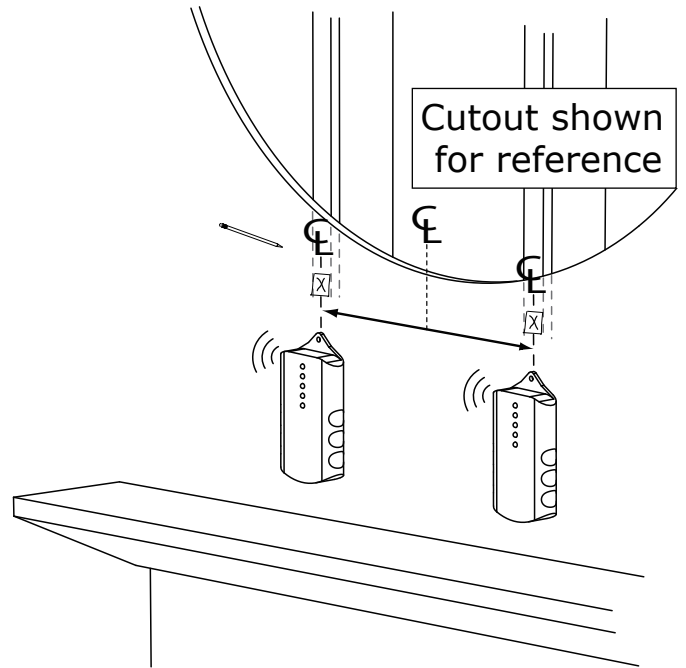


Installation of the bracket

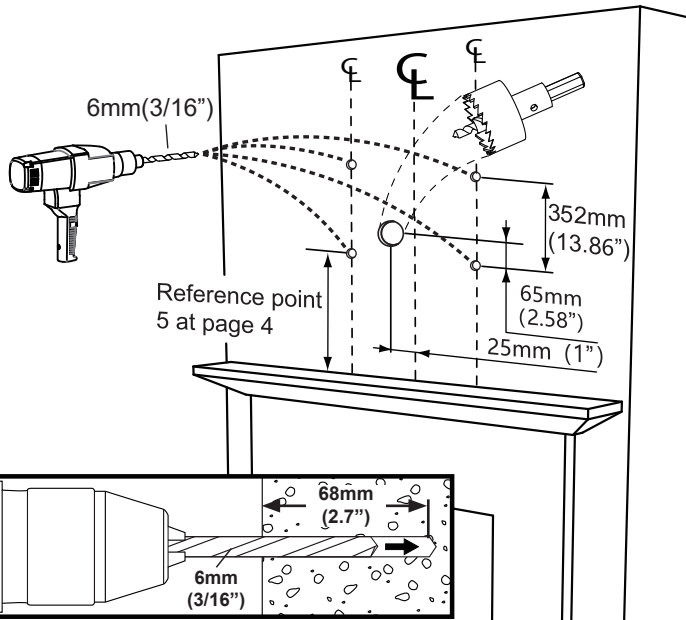
S1 Measure the centerline of the mantle. Mark with tape on the wall.



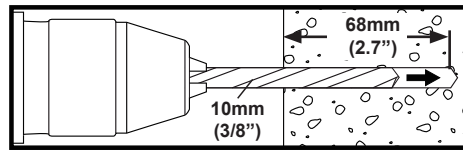
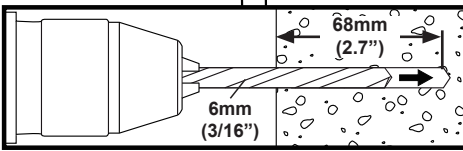
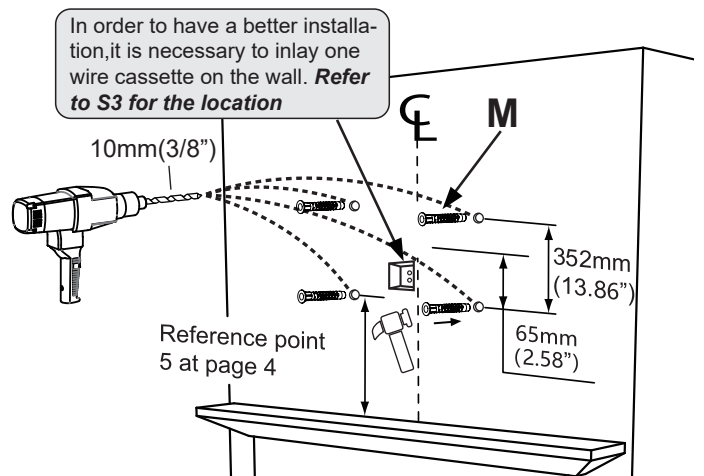
S2 Locate at least two studs with a stud finder. Locate the center of these studs by using a sharp awl or finish nail poked through the drywall to locate each edge. Lag bolts must be installed into the CENTER of the studs.



S3 Please reference point 5 at page 4 to punch, please make sure that the four mounting holes don't have too big deviation.



S4 Please reference point 5 at page 4 to punch, If the main wall is concrete or brick wall, you must use the expansion pipe we provided in M.



CAUTION

plywood wall		wood stud wall	

CAUTION

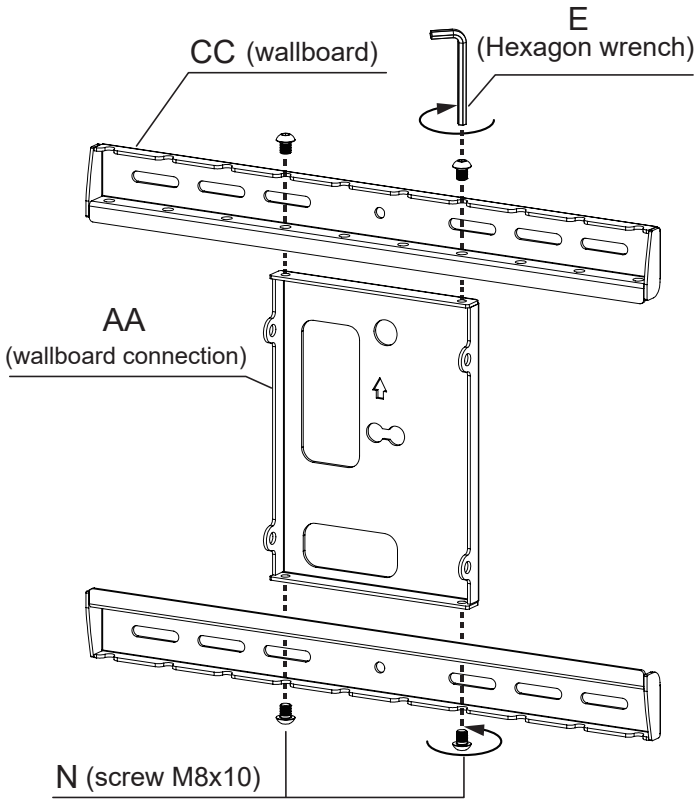
CUTAWAY VIEW

INCORRECT Do not drill into mortar joints!

CORRECT

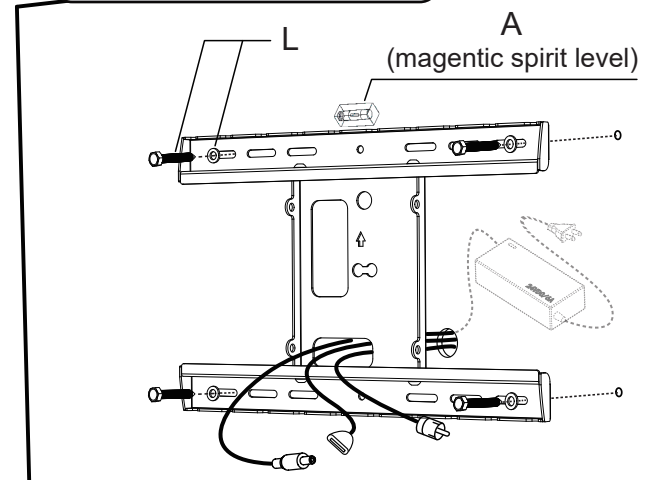
Installation of the bracket

S5 Take out CC/AA/E/N from the packaging , Select the appropriate hole position according to the actual needs, and lock it as shown in the figure.



S6 Take out A/L from the packaging ,Use A to ensure installation level, let the pre-set wire go through the hole as illustrated in the picture.

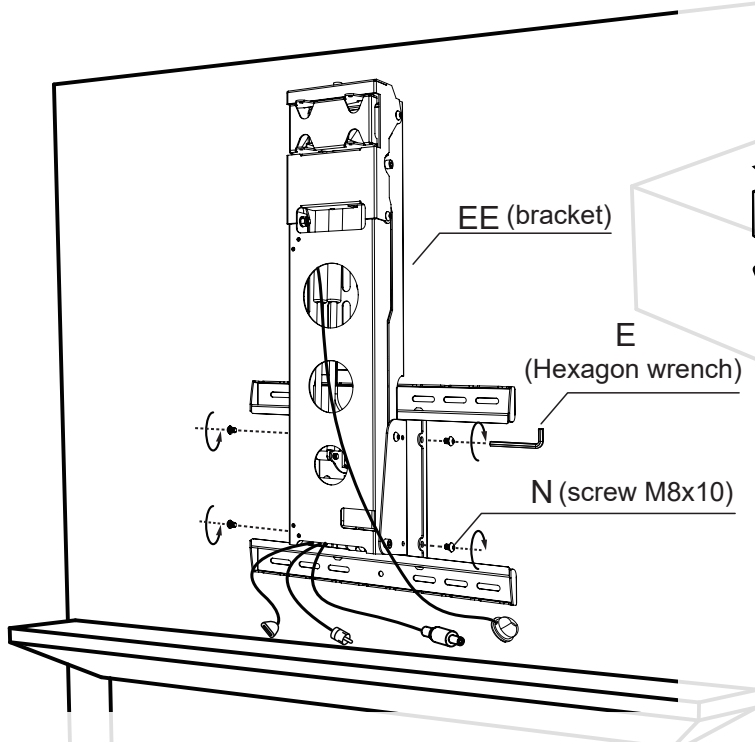
In order to install more beautiful, the power adapter should be placed inside of the wall.



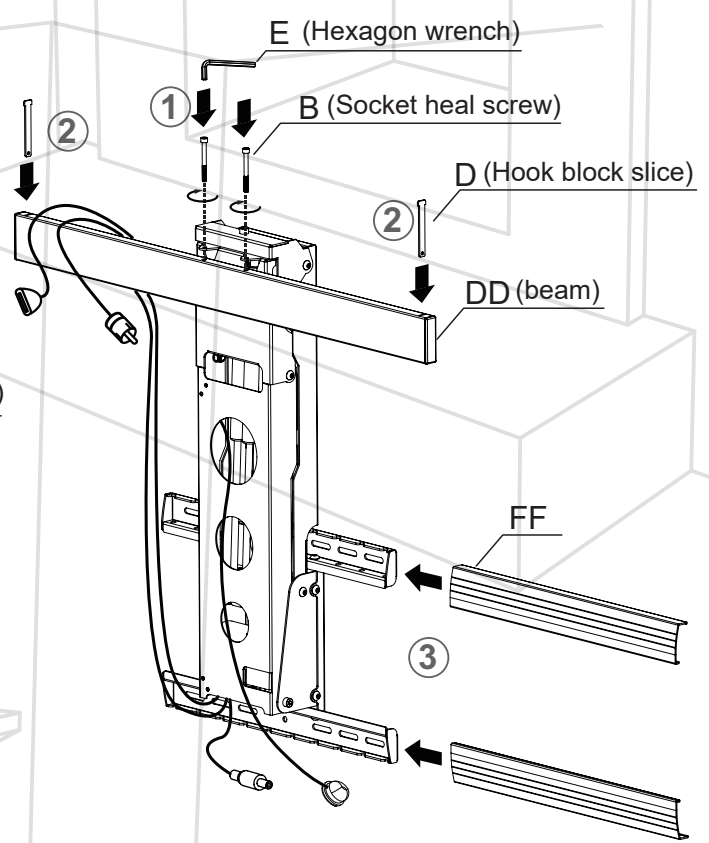
CAUTION

Don't over tighten!

S7 Take out E/N/EE from the packaging ,lock the four allen pan head screws(M8x10) with Hexagon wrench in E , as is shown in the pictures below.



S8 Take out B/D/DD/FF from the packaging ,lock the two socket heal screws(M6x80) with Hexagon wrench in E, Complete these steps in sequence(1→2→3), finally,Put the harness in place, as is shown in the pictures below.



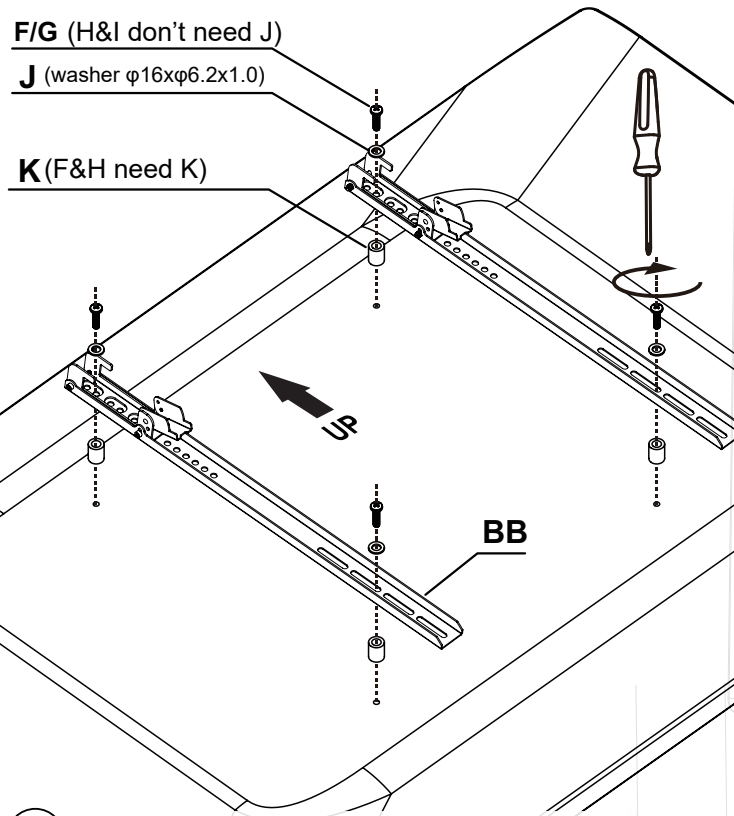
Installation of Screen & adjustment of the limit screw

S9 Select the parts from the packaging, and according to your TV situation to choose F+J; or G+J+K; or H; or I+K, lock with cross screwdriver.

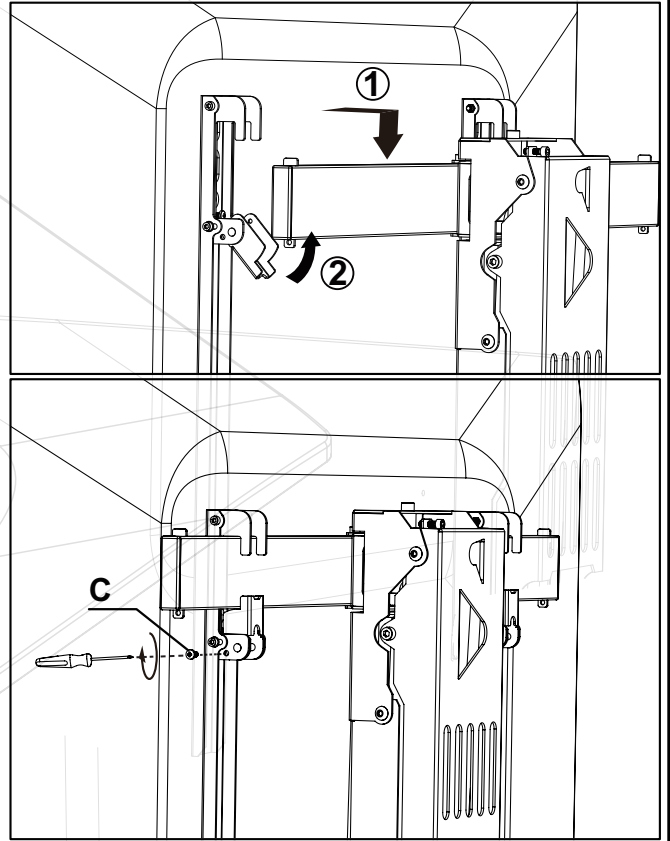
F/G (H&I don't need J)

J (washer $\phi 16 \times \phi 6.2 \times 1.0$)

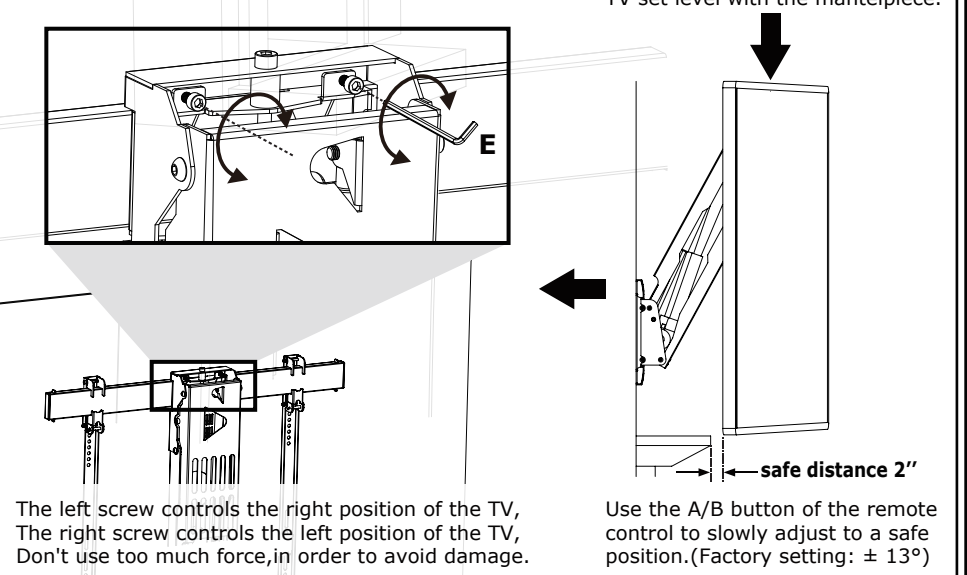
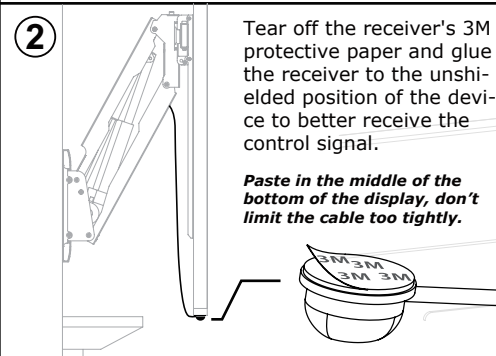
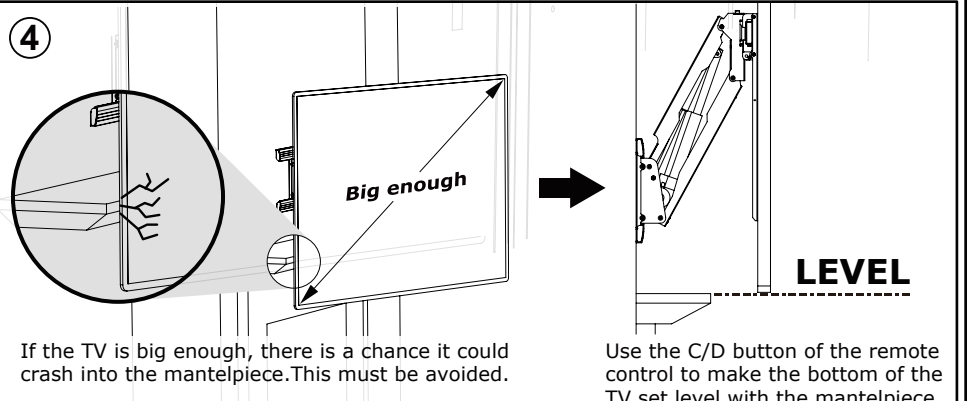
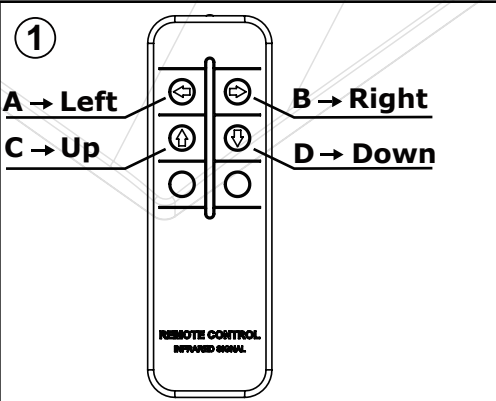
K (F&H need K)



S10 To be safe, this step requires two people working together, attach the TV set to the bracket, start the tripping device, and use the screw C to lock the tripping device.



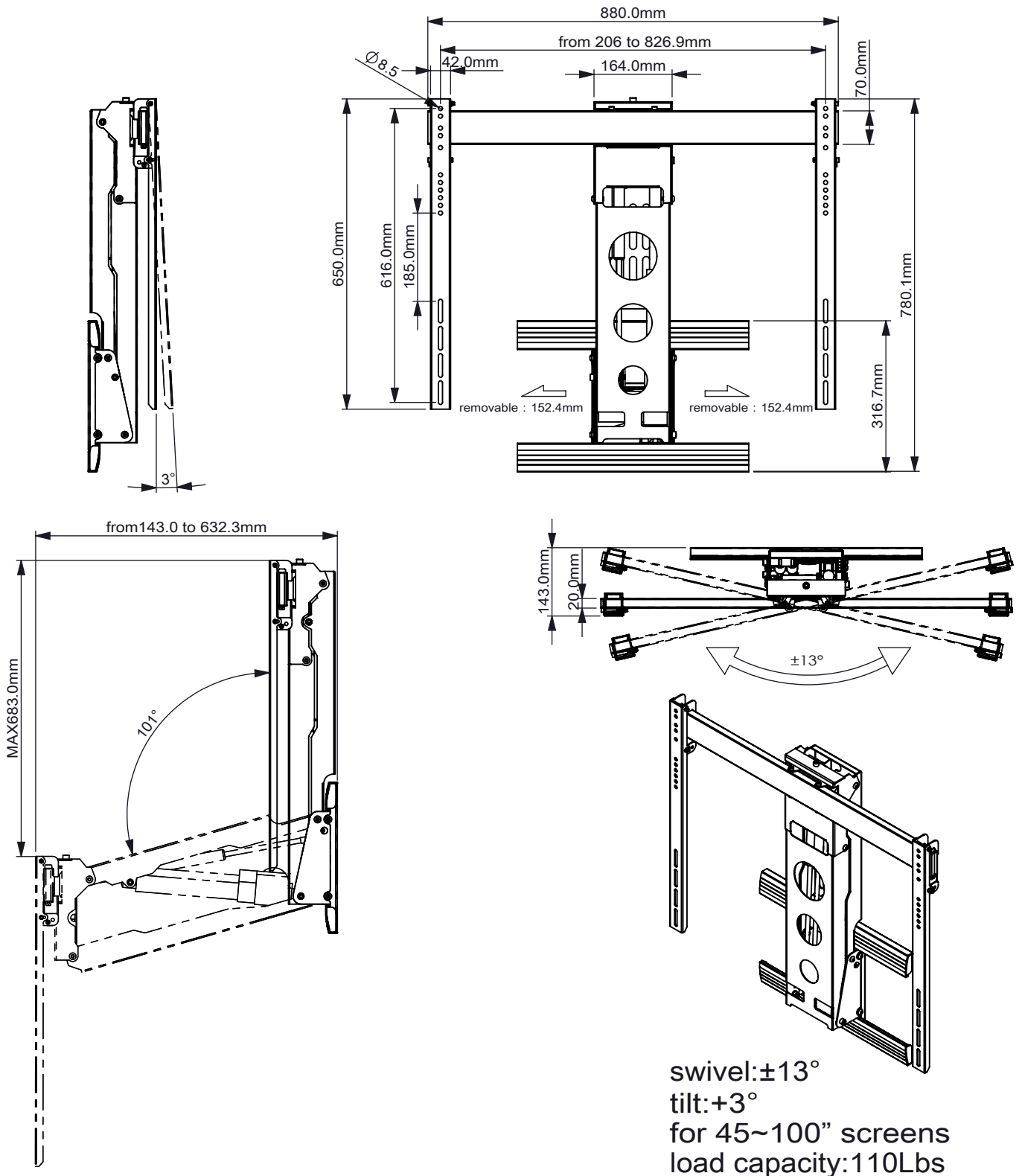
S11 Understand the functions of the buttons of the remote control, then connect the power. Under the premise of ensuring safety, adjust the action limit of the bracket slowly, this should be done strictly, in order to prevent damage to the TV and pinch hands.



3

The AC standard required for the equipment is 110~230V, and the power required for the device is DC24V 6A. Do not exceed this range!

TMO-FPL-002 PRODUCT DIMENSIONS



MAINTENANCE INSTRUCTIONS

⚠ WARNING

Do not use strong acidic or strong alkaline liquid to wipe the product, please use the cloth stained with water to wipe it.

Don't disassemble the product randomly, please contact the seller if there are any maintenance issues.