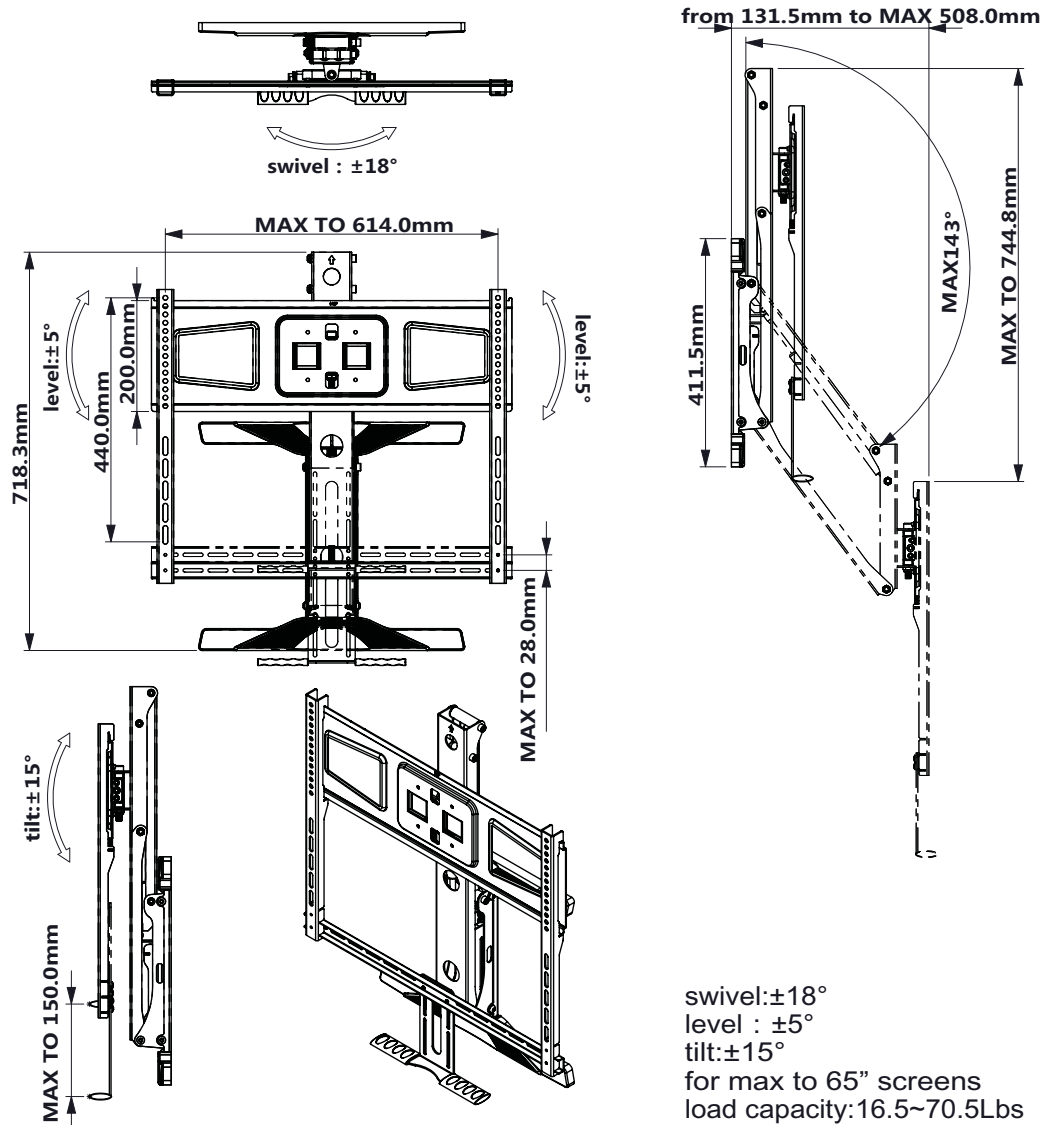


TMO-FPL-003
PRODUCT DIMENSIONS



MAINTENANCE INSTRUCTIONS

⚠ WARNING

Do not use strong acidic or strong alkaline liquid to wipe the product, please use the cloth stained with water to wipe it.
Don't disassemble the product randomly, please contact the seller if there are any maintenance issues.

INSTALLATION GUIDE

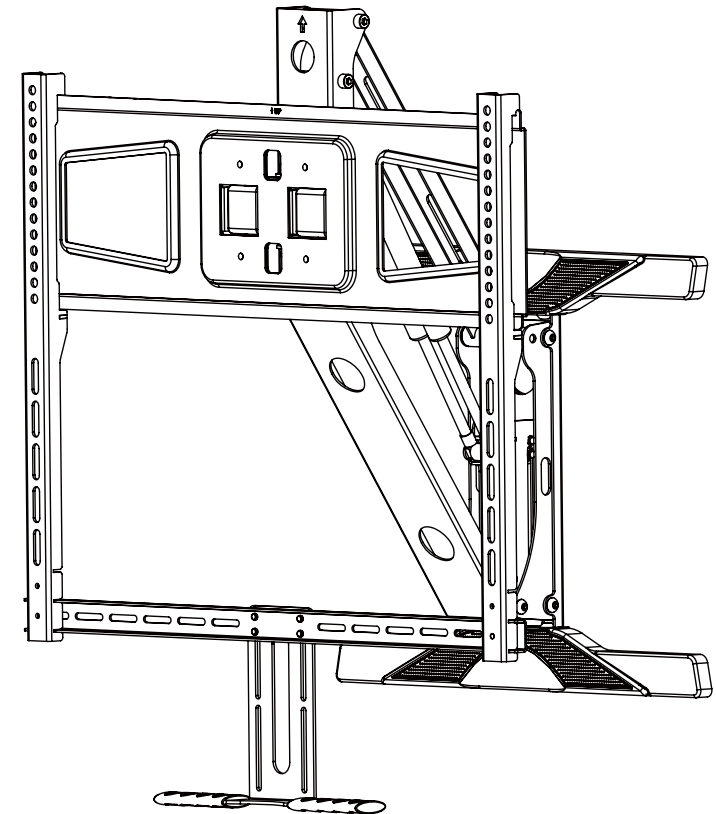
Mantel Arm Mount

TMO-FPL-003

Support 40" to 65" Screens

Load Capacity: 16.5~70.5 lbs (7.5~32 kg)

VESA 400x600 compatible

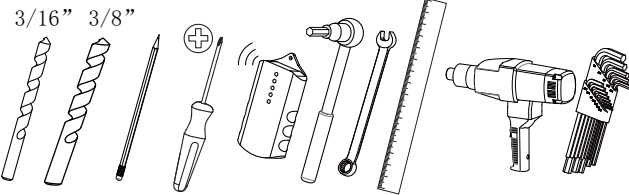


⚠ WARNING

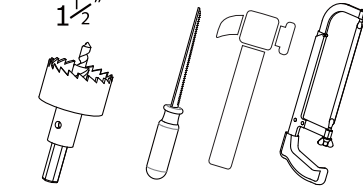
- Be sure to read this entire manual thoroughly and you fully understand all the instructions and warning before attempting to begin your installation.
- Sufficient expertise is required for installing of this product. Be sure to subcontract the installation to a qualified person to your wall and TV. This instruction manual shows the correct handling of the product and important precautions necessary to prevent accident. Be sure to read this manual thoroughly and use the product correctly. Keep the manual available for future reference.
- If the safety precautions are not observed or the product is used incorrectly, it may result to serious injury or damage to your wall and TV. This instruction manual shows the correct handling of the product and important precautions necessary to prevent accident. Be sure to read this manual thoroughly and use the product correctly. Keep the manual available for future reference.
- Ensure your hands and fingers stay clear from the adjustable moving mechanics at the back of the bracket. This is to avoid your fingers getting trapped. Please supervise children when this product is in use.
- This product is supplied with small parts for installation. For your children's safety please keep out of reach of children at all times.
- This product should only be installed by someone who has a basic knowledge of building construction, installations and fully understands these instructions.
- Make sure that the supporting surface will safely support the combined load of the mount, the display and all attached hardware and components.
- This wall bracket will only supporting flat panel displays(LCD, Plasma). The maximum load capacity is 70.5 pounds.
- If mounting to a wall of wood stud construction, be sure that mounting bolt are anchored to the center of the studs, When installing the TV mount on a concrete wall, the wall must be at least 8"(203mm) thick with a minimum compressive strength from 2500 to 3000 psi (17.2 to 20.7 MPa), the concrete wall must meet ASTM C39. When installing the TV mount on a cinder block wall, the cinder blocks must meet ASTM C216 specifications and have a minimum nominal width of 8"(203mm). Be sure to mount in a solid part of the block, generally 1"(25 mm) minimum from the side of the block. Do not drill into mortar joints! If plaster/drywall is thicker than 16mm, custom fasteners must be supplied by the installer.
- Always have someone assist you to lift and position your equipment.
- Tighten screws and bolts firmly, but do not over tighten. Over tightening can damage the items and greatly reduce their ability to hold. Please refer to suggested torque values where applicable in these instructions.
- Screws must be tightly secured, but do not overtighten any screws (especially the four hex bolt screws M8x63.5mm) or damage can occur and product may fail.

Tools Needed for Assembly

Required Tools




Optional Tools



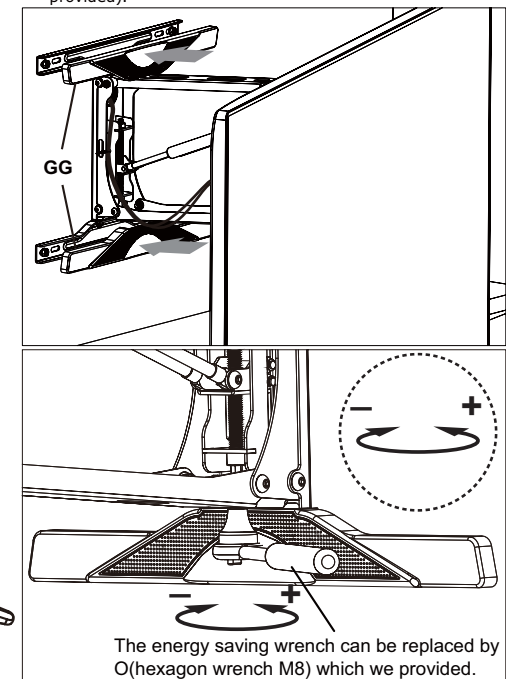
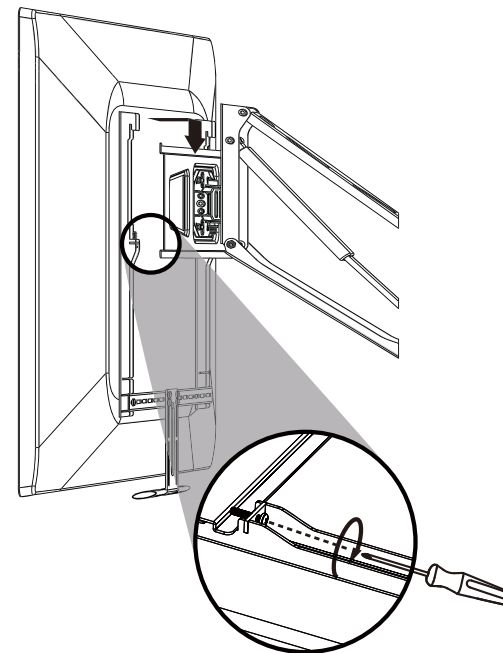
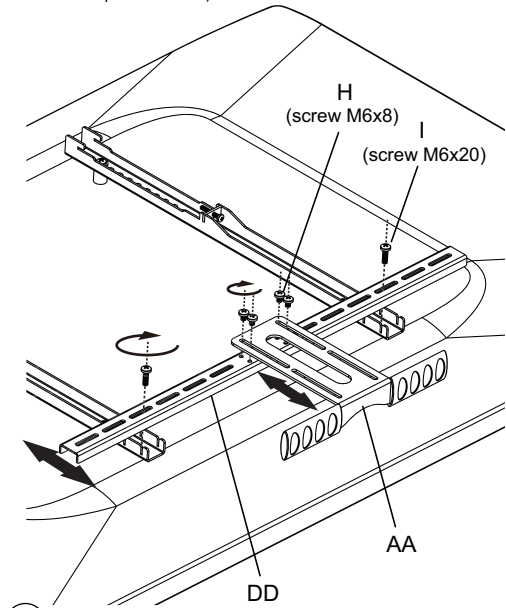
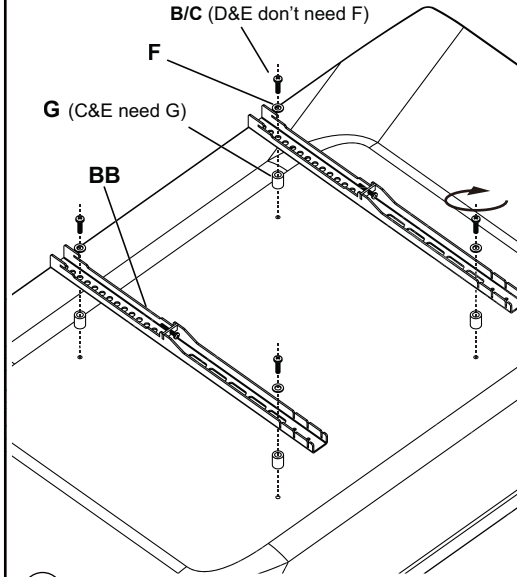
Before you begin, please verify that all components are included and undamaged. If any parts are missing or damaged, contact Product Supplier, Never proceed with missing or damaged parts! Lay out all components and make sure you identify that each one has a match in the diagram. Some of the parts included will not be used during installation. Do not proceed if you do not understand and identify all of the components.

Table of Contents

Parts List	3
Critical requirements of the installation 	4
Installation of the bracket	5, 6
Installation of Screen & adjustment of the spring pressure	7
Product dimensions	8
Maintenance instructions	8

Installation of Screen & adjustment of the spring pressure

- S8** Select the parts from the packaging, and according to your TV situation to choose B+F; or C+F+G; or D; or E+G, lock with cross screwdriver.
- S9** Take out H/I/AA/DD from the packaging, according to the size of the TV, adjust to the appropriate location, as shown in the picture below, then lock with cross screwdriver.
- S10** Lift the TV, through hooks for hanging onto the bracket panel, then use a cross screwdriver to lock the two anti-off screws.
- S11** Take out GG from the packaging, buckle it to the wall plate, adjust the spring pressure to the appropriate level with the energy saving wrench or O (the hexagon wrench M8 we provided).



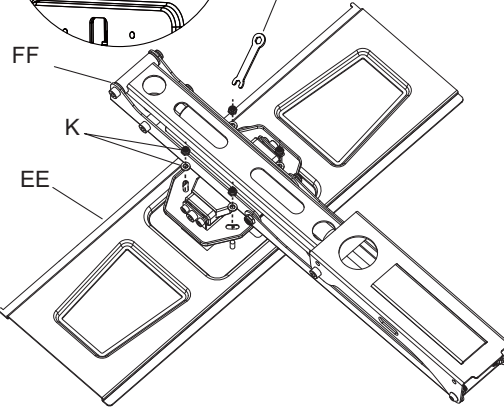
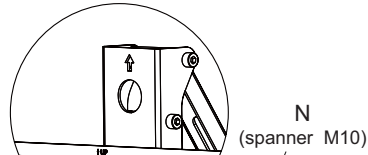
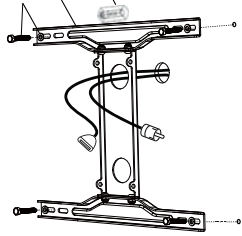
Installation of the bracket

S5 Take out CC/L/A from the packaging , please let the pre-set wire go through the hole as illustrated in the picture.

S6 Take out K/EE/FF/N(spanner M10) from the packaging , installation as illustrated in the picture.

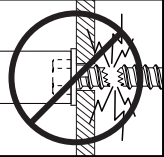
A
(magnetic spirit level)

L CC

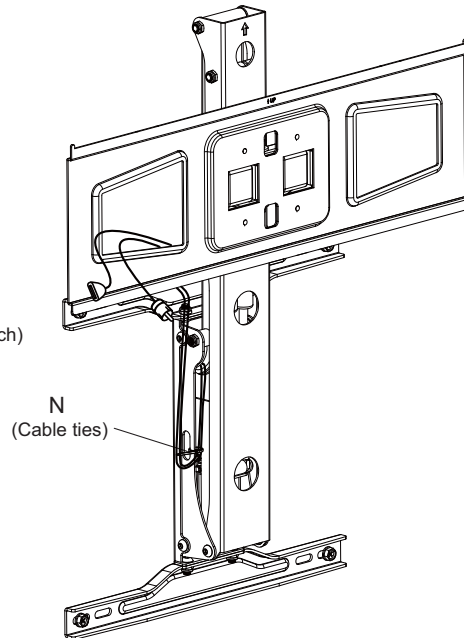
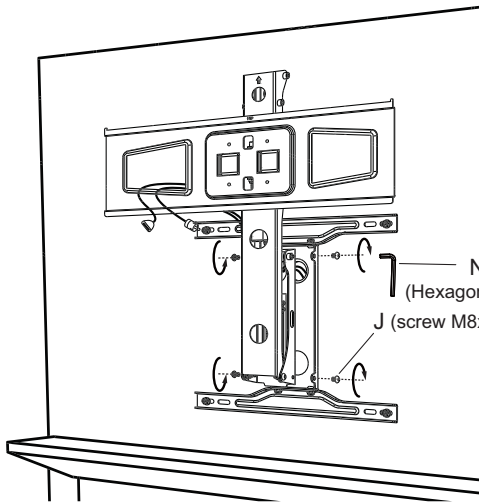


CAUTION

Don't over tighten!



S7 Take out N/J from the packaging ,lock the four allen pan head screws(M8x10) with Hexagon wrench in N,then use cable ties in N to tie up the wires,as is shown in the pictures below.



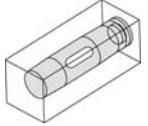
Before you begin, make sure all parts shown are included with your product.

Parts may appear slightly different than illustrated.

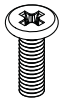
Parts List

Description	Quantity	Part Number
A	1	15x15x40
B	4	M6x12
C	4	M6x25
D	4	M8x12
E	4	M8x25
F	4	6.2x16x1.5
G	4	17.0x9.0x14.0
H	4	M6x8
I	2	M6x20
J	4	M8x10
K	4	M6
L	4	6.2x1.4x12
	4	8.2x2.0x16
M	4	M8x63.5
	1	M10
N	1	M5
	2	L150
O	2	M8

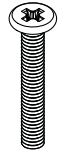
A



B



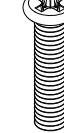
C



D



E



F



G



H



I



J



O



K



Non-slip nuts(x4)

L



plastic washer(x4)

2

M



N



Spanner M10(x1)

1

H



Hexagon wrench M5(x1)

1

I



Cable Ties(x2)

2

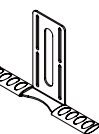
O



Hexagon wrench M8(x1)

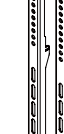
1

AA



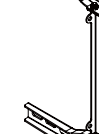
handle(x1)

BB



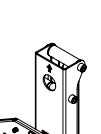
hook(x2)

CC



wallboard(x1)

FF



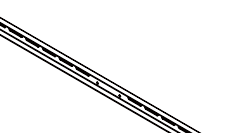
bracket(x1)

GG



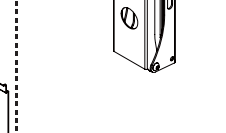
Wall panel cover(x2)

DD



connecting rod(x1)

EE



front-panel(x1)

CRITICAL requirements of the installation



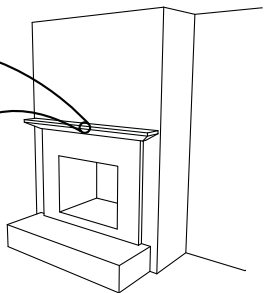
⚠ WARNING

- Make sure that the supporting surface will safely support the combined load of the equipment and all attached hardware and components, Bracket installation need two people together to complete.



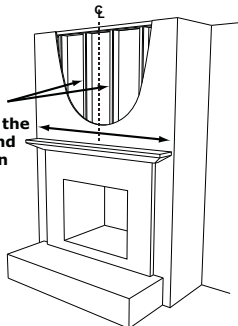
1 Temperature at the front edge of mantle should never exceed 110° F(43C).

110°F
MAX.



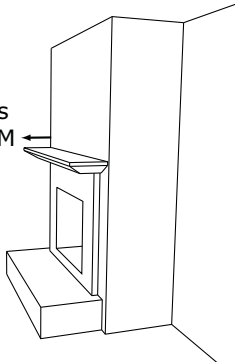
2 If the main wall is wooden, There must be at least 2 studs available for mounting. If the main wall is concrete or brick wall, please refer to the S4 installation points. Mind you, the wall covering must not exceed 5/8 inches thick.

2 STUDS
(This two studs need along the mantel center symmetric, and the center distance between two studs not more than 16")



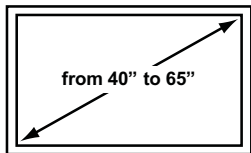
3 Mantle must not extend from mounting surface more than 14 inches.

14 inches
MAXIMUM

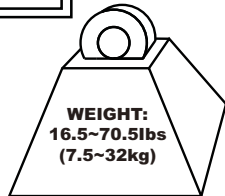


4 TV weight must be between 16.5~70.5lbs(7.5~32kg) and have a screen size from 40" to 65". Consult TV Owner's Manual for verification.

from 40" to 65"



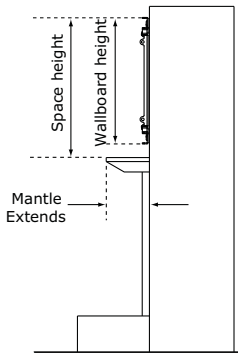
WEIGHT:
16.5~70.5lbs
(7.5~32kg)



5 The space above the mantle must be taller than the wallboard. The required space depends on how far out the mantle extends. Refer to chart below and add this additional height to wallboard height to determine if space is tall enough.

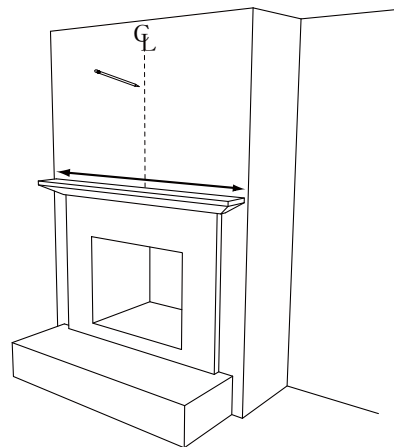
If mantle extends: This is required space height:

Less than 8 inches	TV wallboard height plus 4 inches
8 - 10 inches	TV wallboard height plus 5 inches
10 - 12 inches	TV wallboard height plus 7 inches
12 - 14 inches	TV wallboard height plus 8 inches

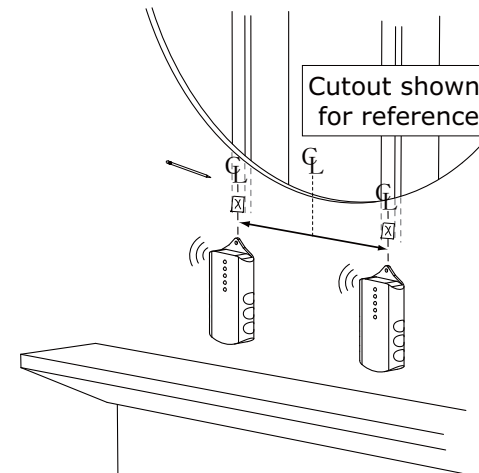


Installation of the bracket

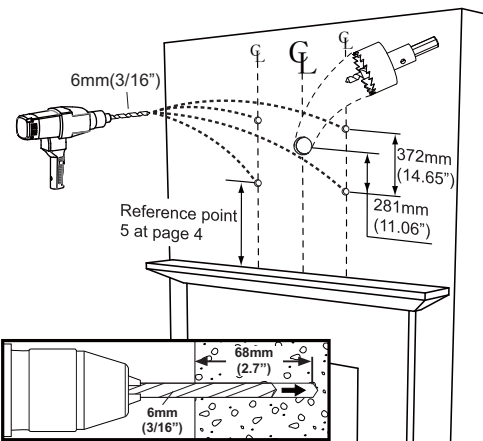
S1 Measure the centerline of the mantle. Mark with tape on the wall.



S2 Locate at least two studs with a stud finder. Locate the center of these studs by using a sharp awl or finish nail poked through the drywall to locate each edge. Lag bolts must be installed into the CENTER of the studs.



S3 Please reference point 5 at page 4 to punch, please make sure that the four mounting holes don't have too big deviation.



S4 Please reference point 5 at page 4 to punch, If the main wall is concrete or brick wall, you must use the expansion pipe we provided in M.

In order to have a better installation, it is necessary to inlay one wire cassette on the wall.

