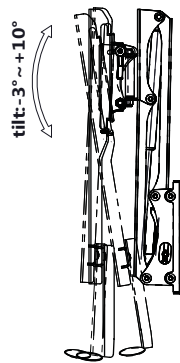
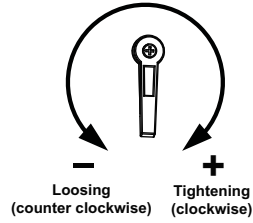
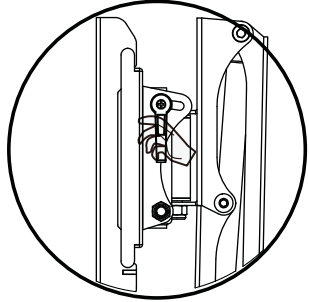
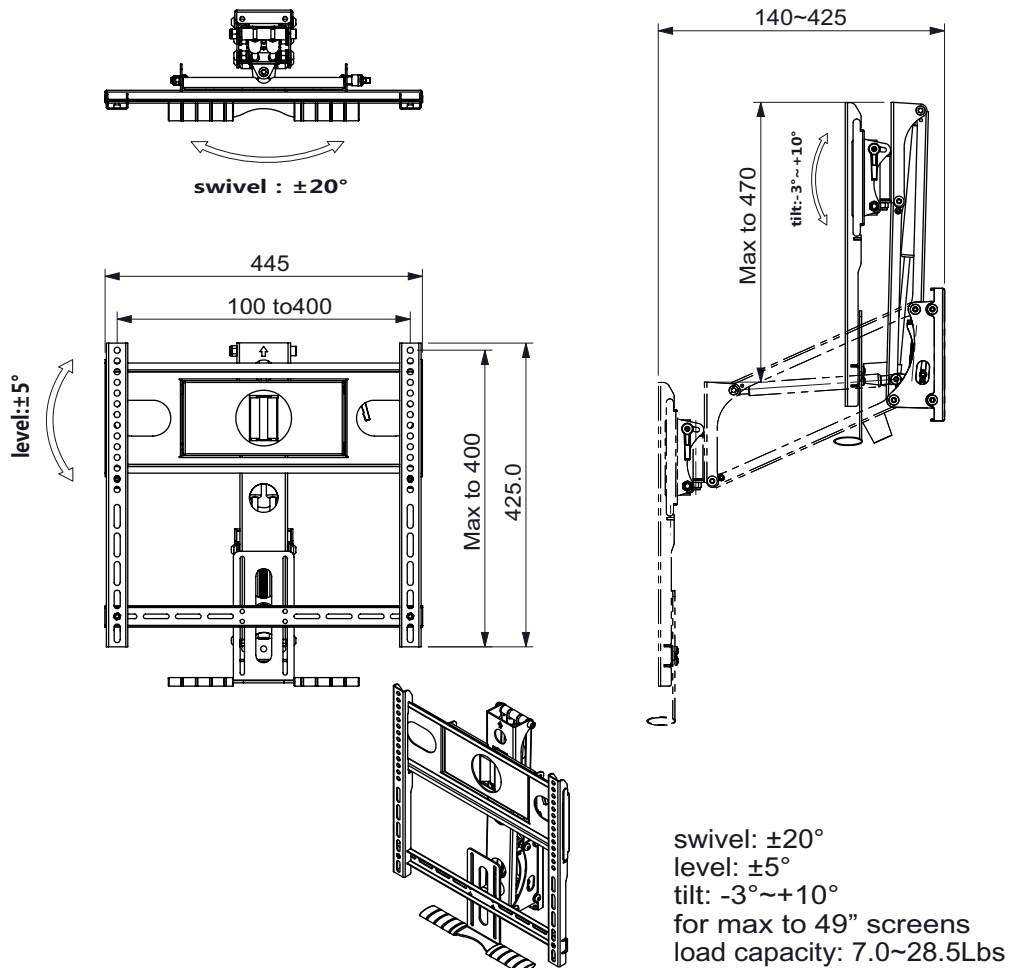


S12 (The damping coefficient of the bracket's elevation angle is the factory value), the user can adjust the weight of the device according to the elevation angle of the stent damping coefficient, the force to match the actual requirements, so as to achieve satisfactory results.



**TMO-FPL-004
PRODUCT DIMENSIONS**



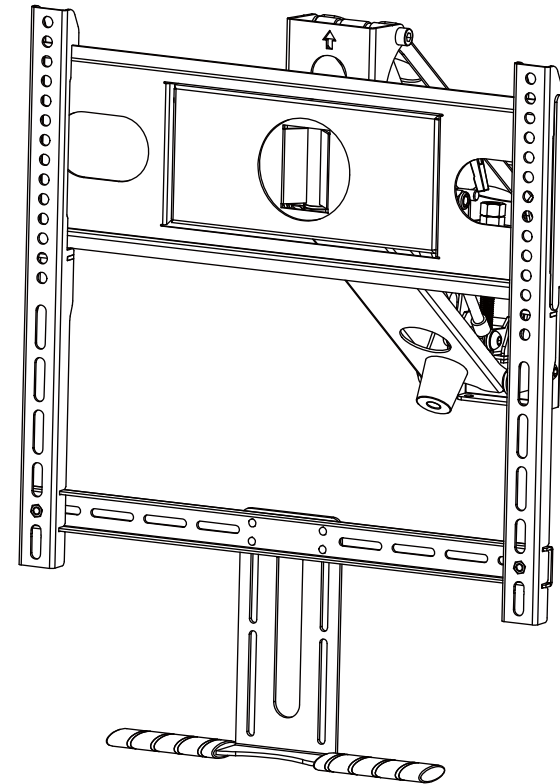
INSTALLATION GUIDE

Model: TMO-FPL-004

Support 32" to 49" Screens

Load Capacity: 7.0~28.5 lbs (3~13 kg)

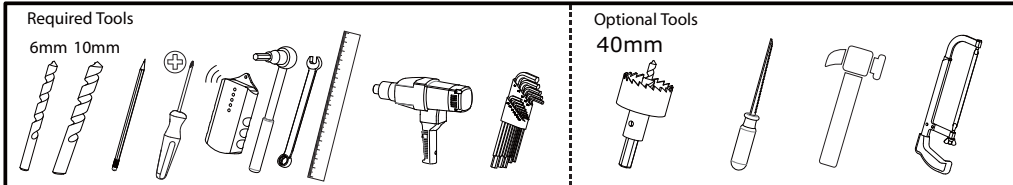
VESA And Non-VESA compatible				
100mm x 100mm	200mm x 100mm	300mm x 100mm	400mm x 100mm	200mm x 200mm
300mm x 200mm	400mm x 200mm	300mm x 300mm	400mm x 300mm	400mm x 400mm



⚠ WARNING

- Be sure to read this entire manual thoroughly and you fully understand all the instructions and warning before attempting to begin your installation.
- Sufficient expertise is required for installing this product. Be sure to subcontract the installation to a qualified person. Ensure special attention to safety is paid during installation. Tranquil mount Ltd is not liable for any damage or injury caused by mishandling or improper installation, or by installing anything other than the specified product. Your Statutory Rights, (if any) are not affected.
- If the safety precautions are not observed or the product is used incorrectly, it may result in serious injury or damage to your wall and TV. This instruction manual shows the correct handling of the product and important precautions necessary to prevent accidents. Be sure to read this manual thoroughly and use the product correctly. Keep the manual available for future reference.
- Ensure your hands and fingers stay clear from the adjustable moving mechanics at the back of the bracket. This is to avoid your fingers getting trapped. Please supervise children when this product is in use.
- This product is supplied with small parts for installation. For your children's safety, please keep out of reach of children at all times.
- This product should only be installed by someone who has a basic knowledge of buildings construction, installations and fully understands these instructions.
- Make sure that the supporting surface will safely support the combined load of the mount, the display and all attached hardware and components.
- In order to have a better installation, it is necessary to have in-wall wiring or wall AV and power plates installed to hide the cords behind the wall. We advise you get a professional installer to do this.
- This wall bracket will only support flat panel displays (LCD, Plasma). The maximum load capacity is 32kg.
- If mounting to a wall of wood stud construction, be sure that mounting bolt are anchored to the centre of the stud, when installing the TV mount on a concrete wall, the wall must be at least 8" (203mm) thick with a minimum compressive strength of 2500 to 3000 psi (17.2 to 20.7 MPa), the concrete wall must meet ASTM C39. When installing the TV mount on a cinder block wall, the cinder blocks must meet ASTM C216 specifications and have a minimum nominal width of 8" (203mm). Be sure to mount in a solid part of the block, generally 1" (25 mm) minimum from the side of the block. Do not drill into mortar joints! If plaster/drywall is thicker than 16mm, custom fasteners must be supplied by the installer.
- Always have someone assist you to lift and position your equipment.
- Tighten screws and bolts firmly, but do not over tighten. Over tightening can damage the items and greatly reduce their ability to hold. Please refer to suggested torque values where applicable in these instructions.
- Screws must be tightly secured, but do not overtighten any screws (especially the four hex bolt screws M8x63.5mm) or damage can occur and product may fail.

Tools required for assembly



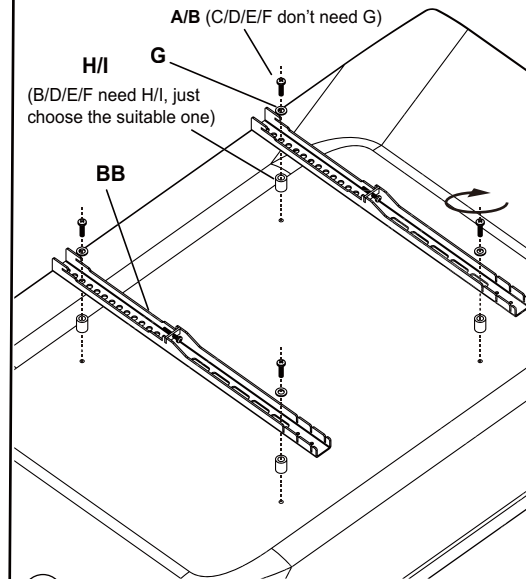
Before you begin installation, please verify that all components are included and undamaged. If any parts are missing or damaged, contact Tranquil Mount Ltd or the store you purchased from. Never proceed with missing or damaged parts. Lay out all components and make sure you identify that each one has a match in the diagram. Some of the parts included will not be used during installation. Do not proceed if you do not understand and identify all of the components. We recommend in order to have a better installation, it is necessary to have in-wall wiring or wall AV and power plates installed to hide the cords behind the wall. We advise you get a professional installer to do this.

Table of Contents

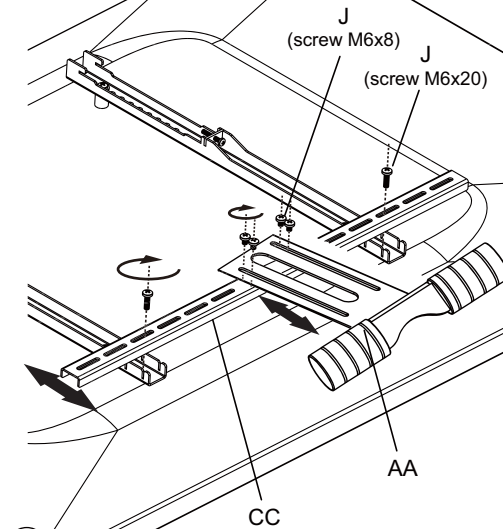
Parts List	3
Critical requirements of the installation	4
Installation of the bracket	5, 6
Installation of Screen & adjustment of the spring pressure & Elevation adjustment	7, 8
Product dimensions	8

Installation of Screen & adjustment of the spring pressure

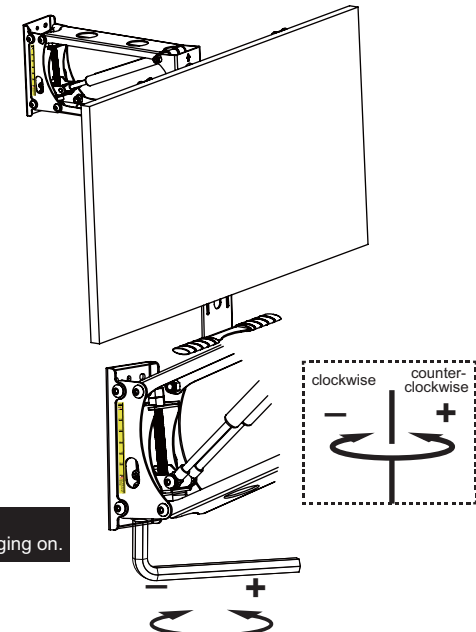
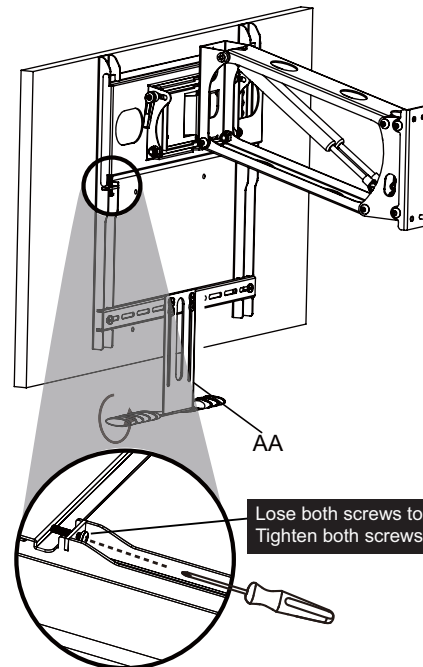
- S8** Select the parts from the packaging, and according to your TV situation to choose A+G; or B+G+H; or C; or D+H; or E+H; or E+I; or F+H; or F+I, lock with cross screwdriver.
- S9** Take out J/AA/CC from the packaging, according to the size of the TV, adjust to the appropriate location, as shown in the picture below, then lock with cross screwdriver.



- S10** Lift the TV through hooks for hanging onto the bracket panel, then use a cross screwdriver to lock the two anti-off screws.



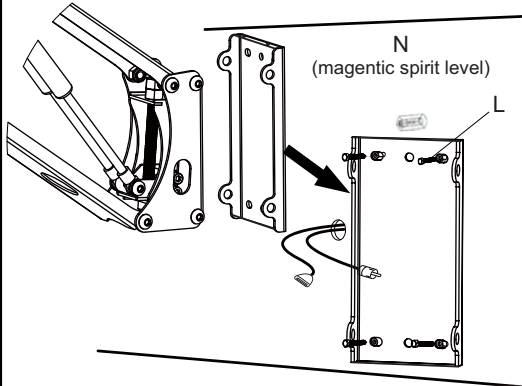
- S11** Adjust the spring pressure to the appropriate level with energy saving wrench or O. Rotate clockwise to meet a light tv (The present pressure is for around 13kg TV)



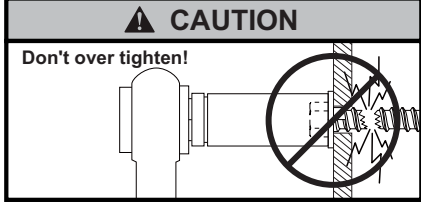
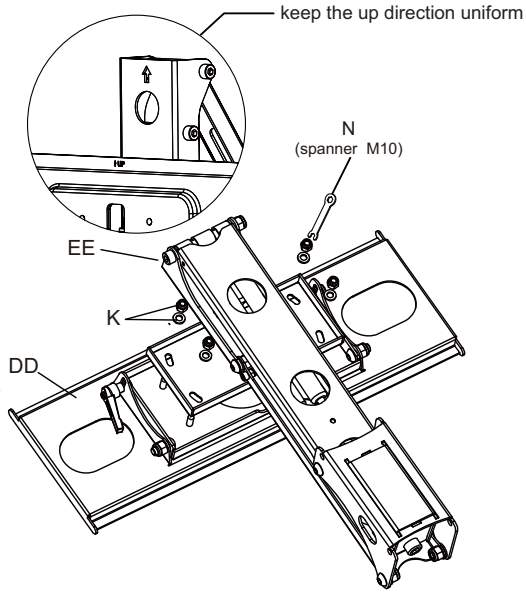
The energy saving wrench can be replaced by O(hexagon wrench M8) which we provided.

Installation of the bracket

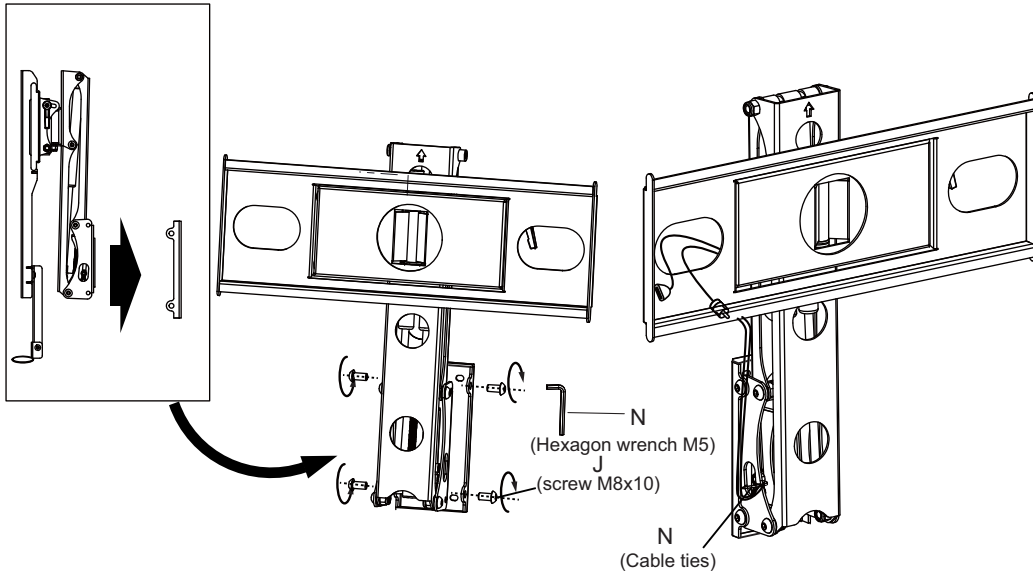
S5 Take out EE/L/N from the packaging, Detach EE and attach the back wall plate to the wall. Then let the pre-set wire go through the hole as illustrated in the picture.



S6 Take out K/DD/EE/N(panner M10) from the packaging, installation as illustrated in the picture.



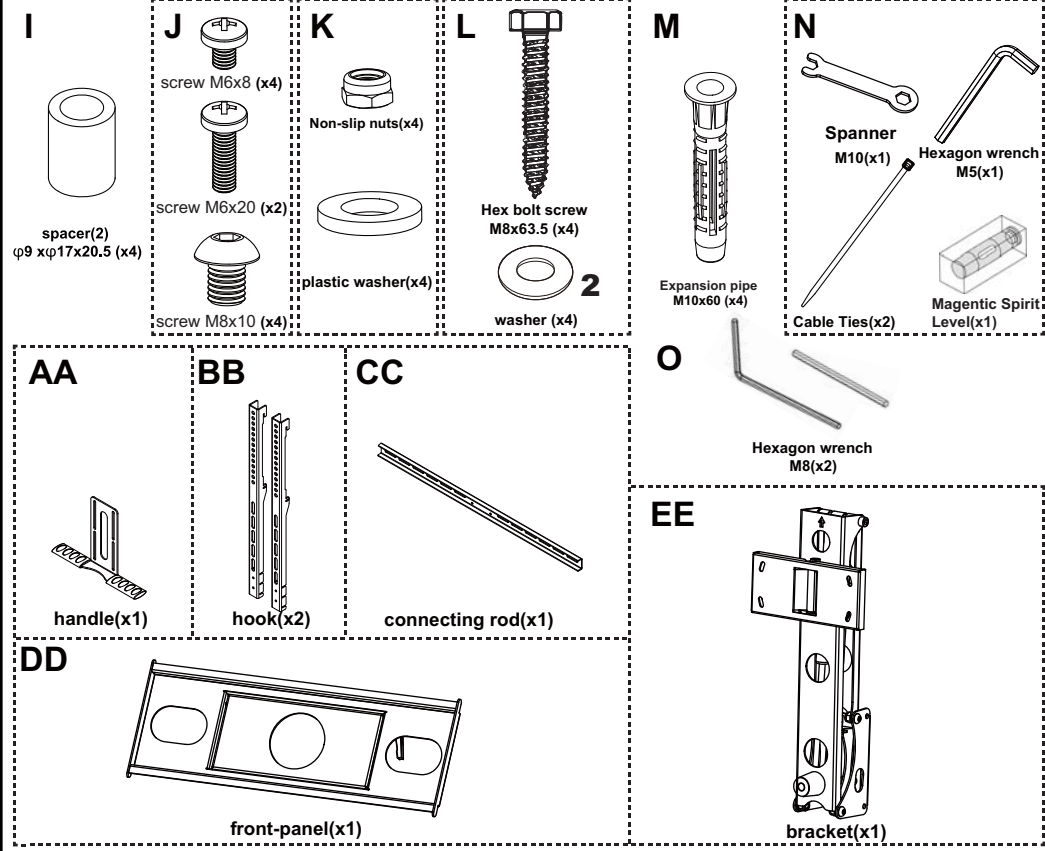
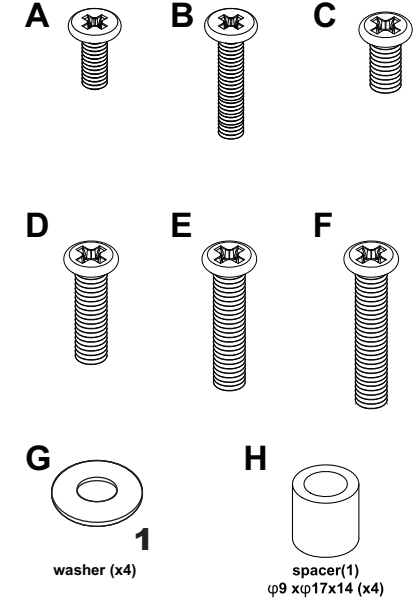
S7 Take out N/J from the packaging, lock the four allen pan head screws(M8x10) with Hexagon wrench in N, then use cable ties in N to tie up the wires, as is shown in the pictures below.



Before you begin, make sure all parts shown are included with your product. Parts may appear slightly different than illustrated.

Parts List

Part	Description	Quantity	Specification
A	philips pan head screw	4	M6x12
B	philips pan head screw	4	M6x25
C	philips pan head screw	4	M8x12
D	philips pan head screw	4	M8x25
E	philips pan head screw	4	M8x35
F	philips pan head screw	4	M8x40
G	washer(1)	4	6.2x16x1.5
H	spacer(1)	4	φ9 xφ17x14
I	spacer(2)	4	φ9 xφ17x20.5
J	philips pan head screw	4	M6x8
K	philips pan head screw	2	M6x20
L	allen pan head screw	4	M8x10
M	Non-slip nuts	4	M6
N	washer(1)	4	6.2x16x1.5
O	washer(2)	4	8.2x1.5x16
P	Hex bolt screw	4	M8x63.5
Q	Expansion pipe	4	M10x60
R	Spanner	1	M10
S	Hexagon wrench	1	M5
T	Cable ties	2	L150
U	Magnetic Spirit Level	1	15x15x40
V	Hexagon wrench	2	M8



CRITICAL requirements of the installation



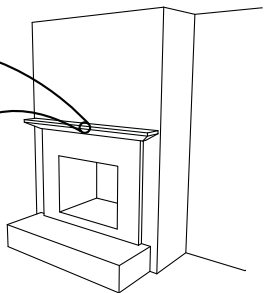
⚠ WARNING

- Make sure that the supporting surface will safely support the combined load of the equipment and all attached hardware and components. Bracket installation need two people together to complete.



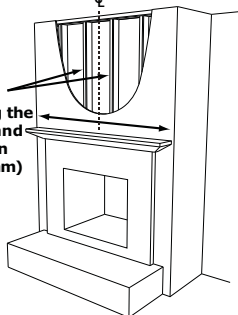
- 1** If the equipment is installed above the fireplace, it is recommended that it is never turned on while the TV is in front of or located directly above the fire. However, the front edge of mantle should never exceed 110°F (43°C).

110°F
MAX.



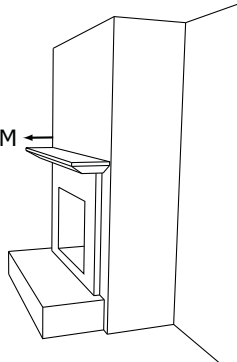
- 2** If the main wall is wooden, there must be at least 1 studs available for mounting. If the main wall is concrete or brick wall, please refer to the S4 installation points. Mind you, the wall covering must not exceed 16mm thick.

2 STUDS
(These two studs need along the mantle centre-symmetric, and the centre distance between two studs not more than 406mm)



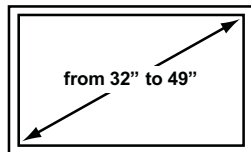
- 3** Mantle must not extend from mounting surface more than 320mm.

350mm
MAXIMUM

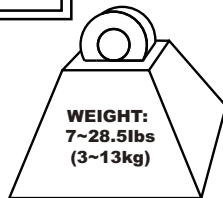


- 4** TV weight must be between 7.0 ~28.5lbs(3~ 13kg) and have a screen size from 32" to 49". Consult TV Owner's Manual for verification.

from 32" to 49"



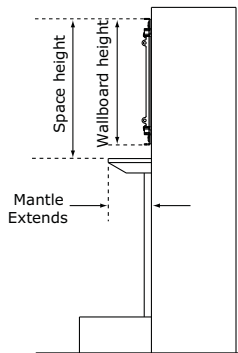
WEIGHT:
7~28.5lbs
(3~13kg)



- 5** The space above the mantle must be taller than the wallboard. The required space depends on how far out the mantle extends. Refer to chart below and add this additional height to wallboard height to determine if space is tall enough.

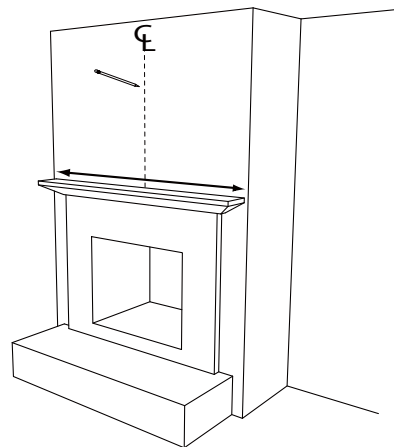
If mantle extends: This is required space height:

Less than 180mm	TV wallboard height plus 135mm
180 - 240mm	TV wallboard height plus 150mm
240 - 300mm	TV wallboard height plus 195mm
300 - 350mm	TV wallboard height plus 265mm

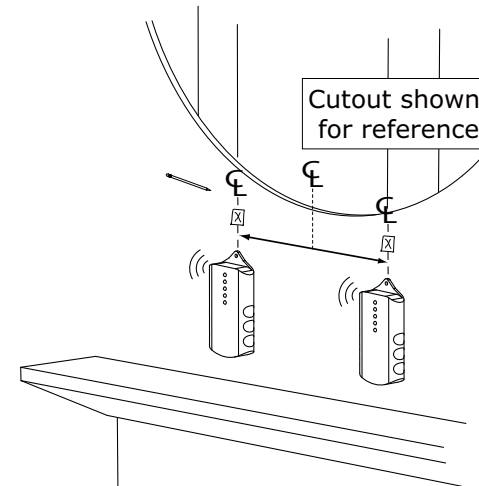


Installation of the bracket

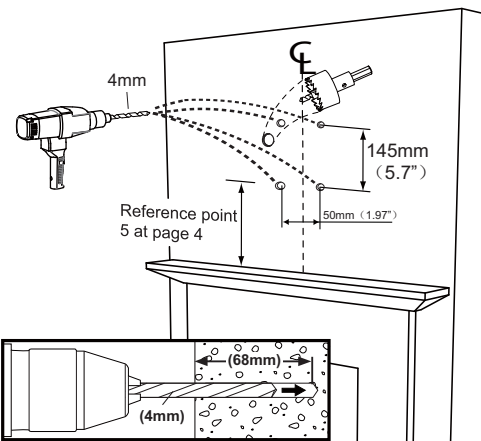
- S1** Measure the centreline of the mantle. Mark with tape on the wall.



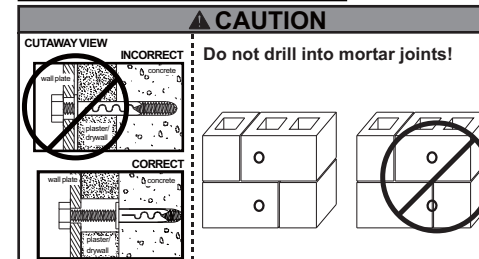
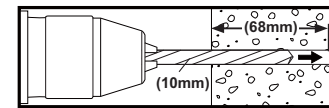
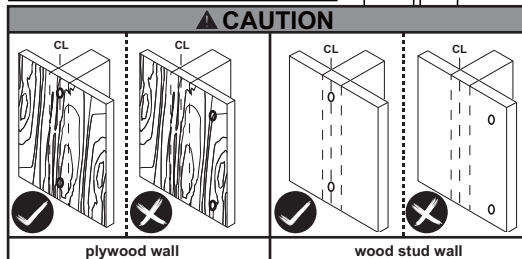
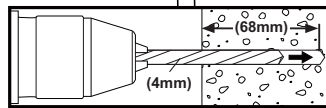
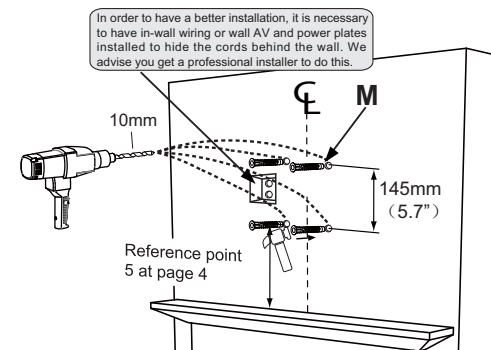
- S2** Locate at least two studs with a stud finder. Locate the centre of these studs by using a sharp awl or finish nail poked through the drywall to locate each edge. Lag bolts must be installed into the CENTRE of the studs.



- S3** Reference point 5 at page 4 to punch, please make sure that the four mounting holes don't have too big deviation.



- S4** Reference point 5 at page 4 to punch, if the main wall is concrete or brick wall, you must use the expansion pipe we provided in M.



plywood wall

wood stud wall