

INSTALLATION INSTRUCTION

Components:

TMO-MED-002



Hex countersunk screw
M5*20(x8)
(Assembled already)

A



Philips pan head screw
M4*8(x4)
(Assembled already)

B



Philips pan head screw
M6*12(x2)
(Assembled already)

C



Non-slip nuts
M6(x4)

D



Hexagon wrench
S3(x1)

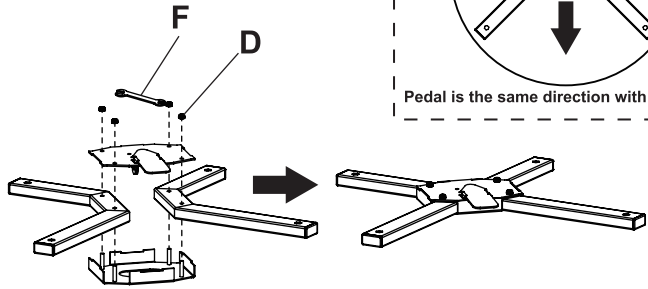
E



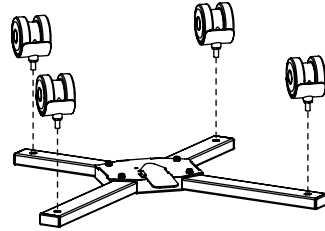
Open end wrench
10-14(x1)

F

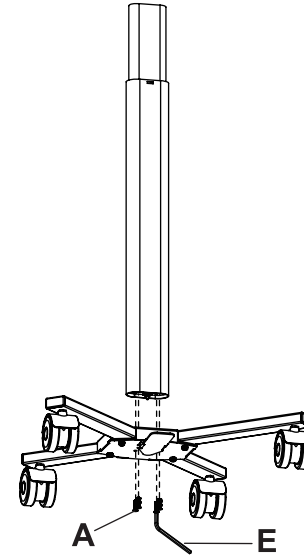
STEP 1: Assemble legs



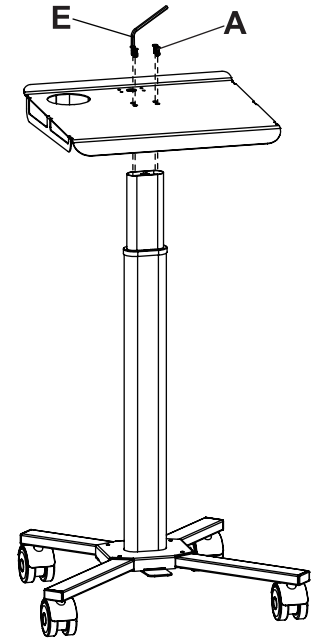
STEP 2: Fix the castors



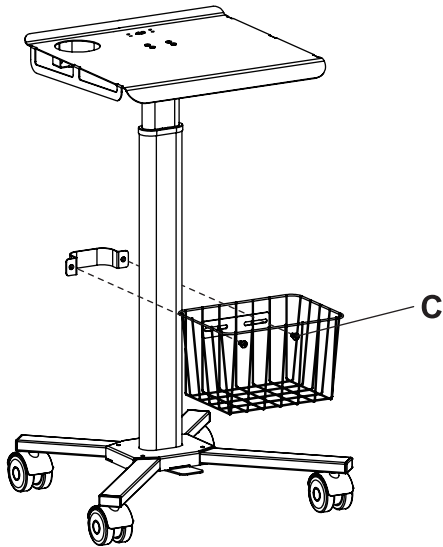
STEP 3: Fix the Tube



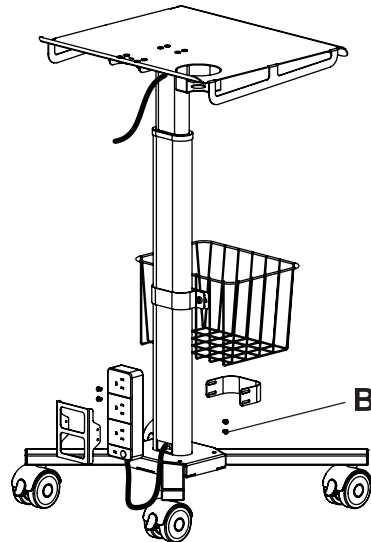
STEP 4: Assemble the Tray



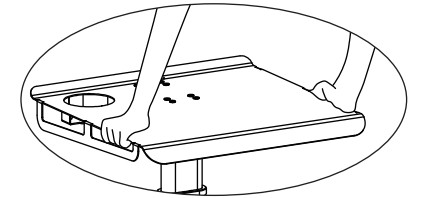
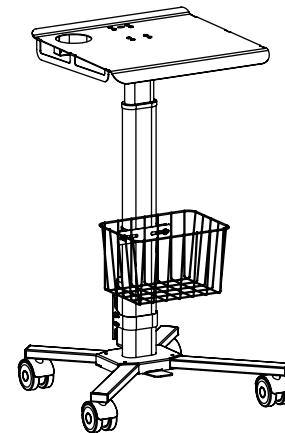
STEP 5: Fix the basket



STEP 6: Cable management



STEP 7: Gas lift up and down with the pedal



DOWN: Step on the pedal, press the tray to support it downwards.
UP: Step on the pedal, hold the tray to support it upwards

