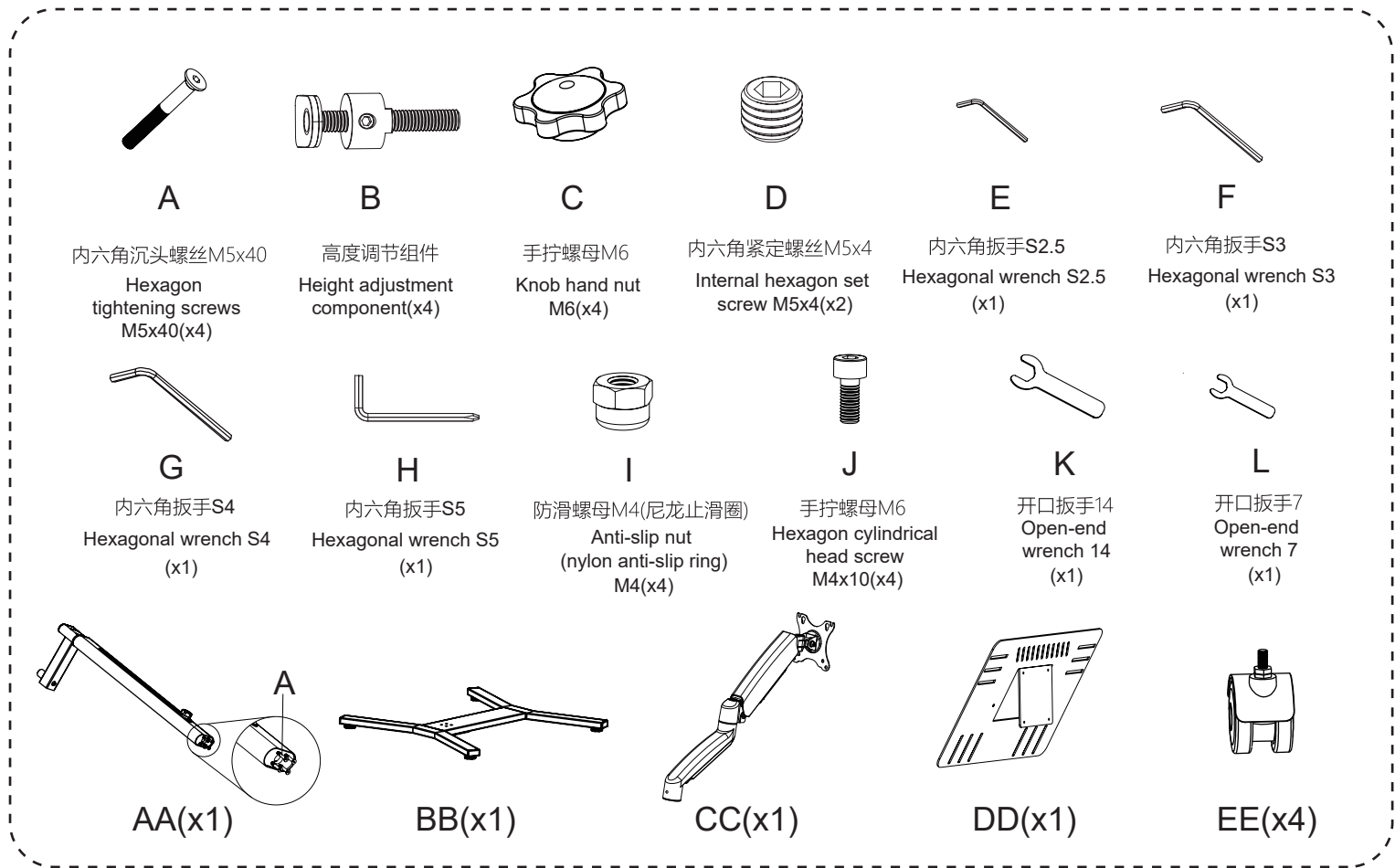


# INSTALLATION INSTRUCTION

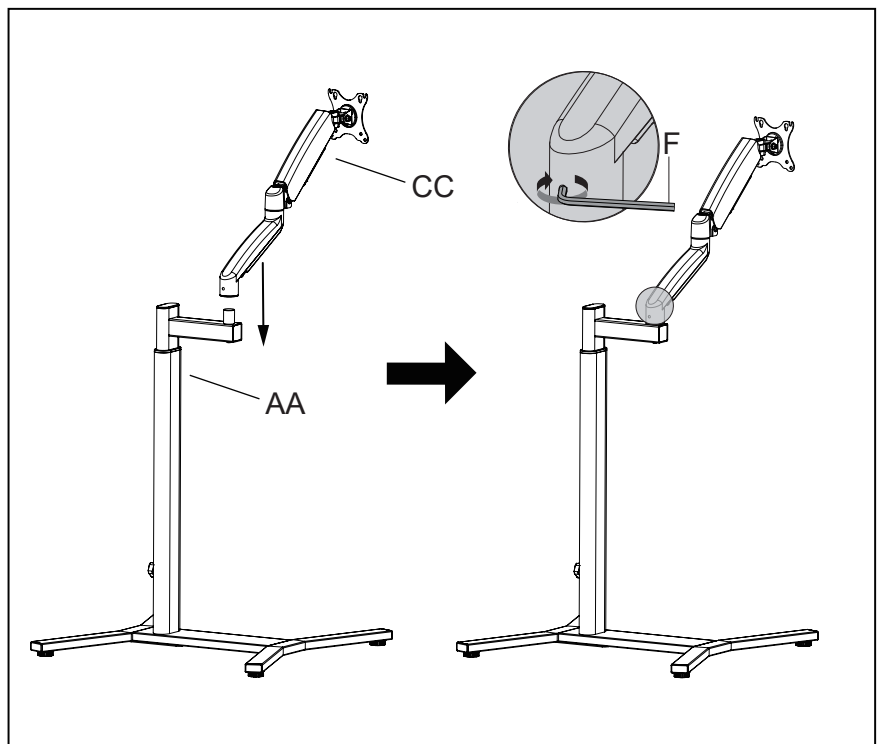
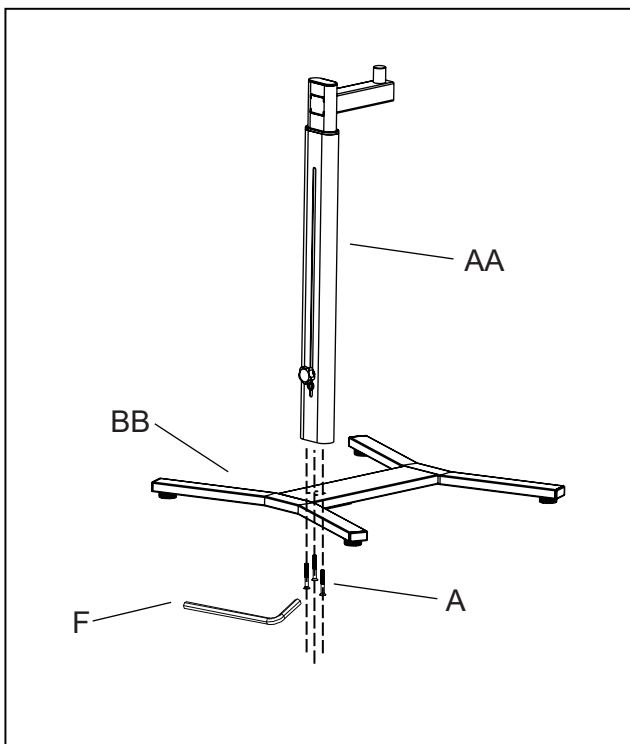
TMO-MED-006

## Components(部件)

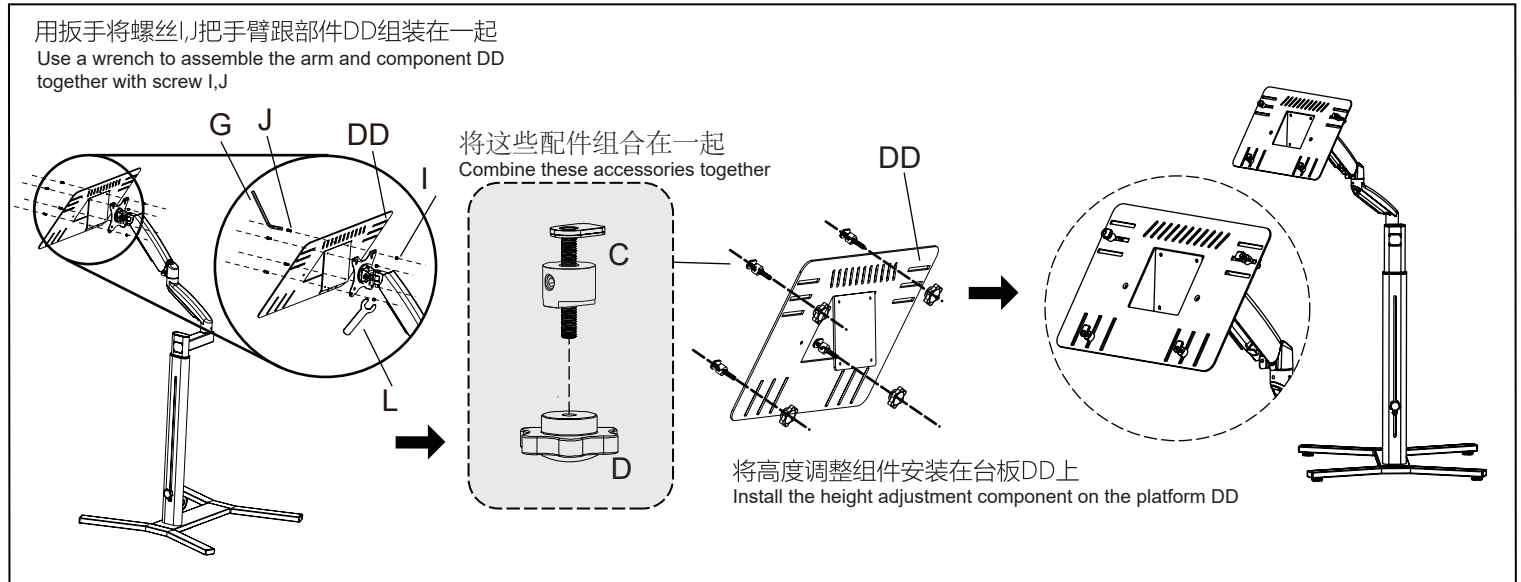


**STEP1:** 用扳手F将螺丝A把部件AA跟BB组装在一起  
Use wrench F to assemble component AA and BB together with screw A

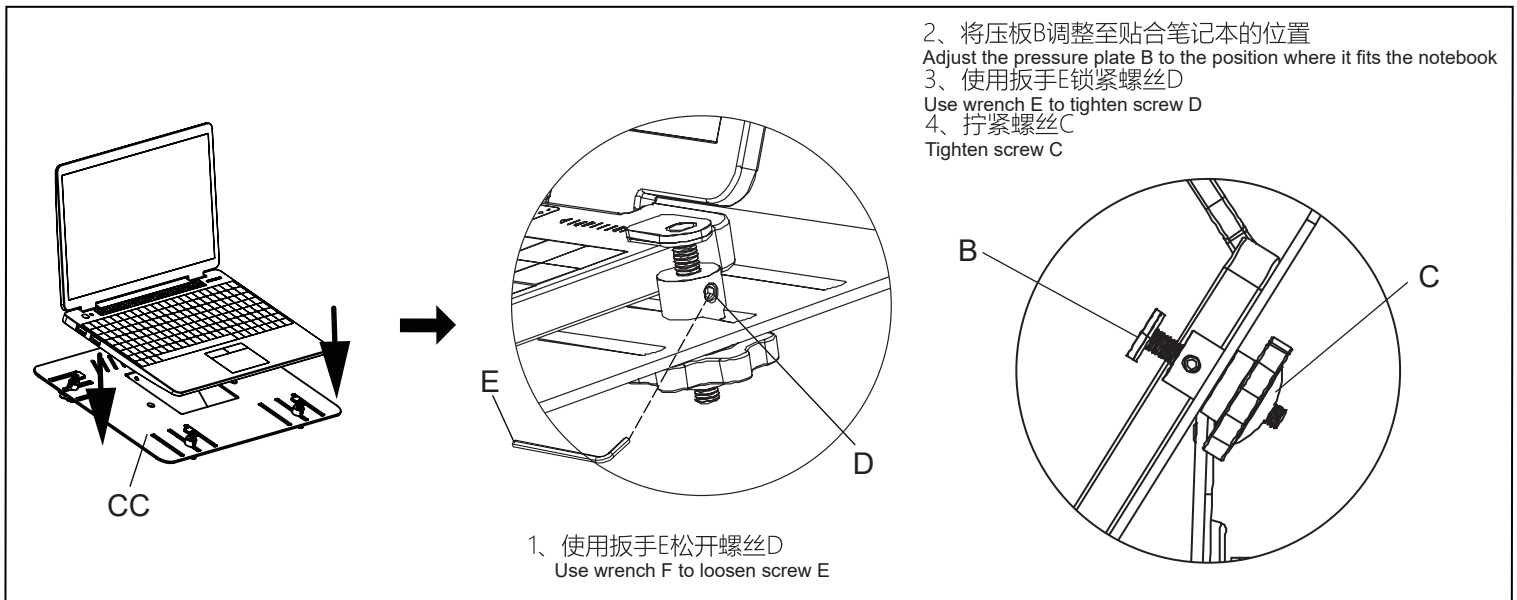
**STEP2:** 将部件CC组装在部件AA上  
Assemble component CC onto component AA



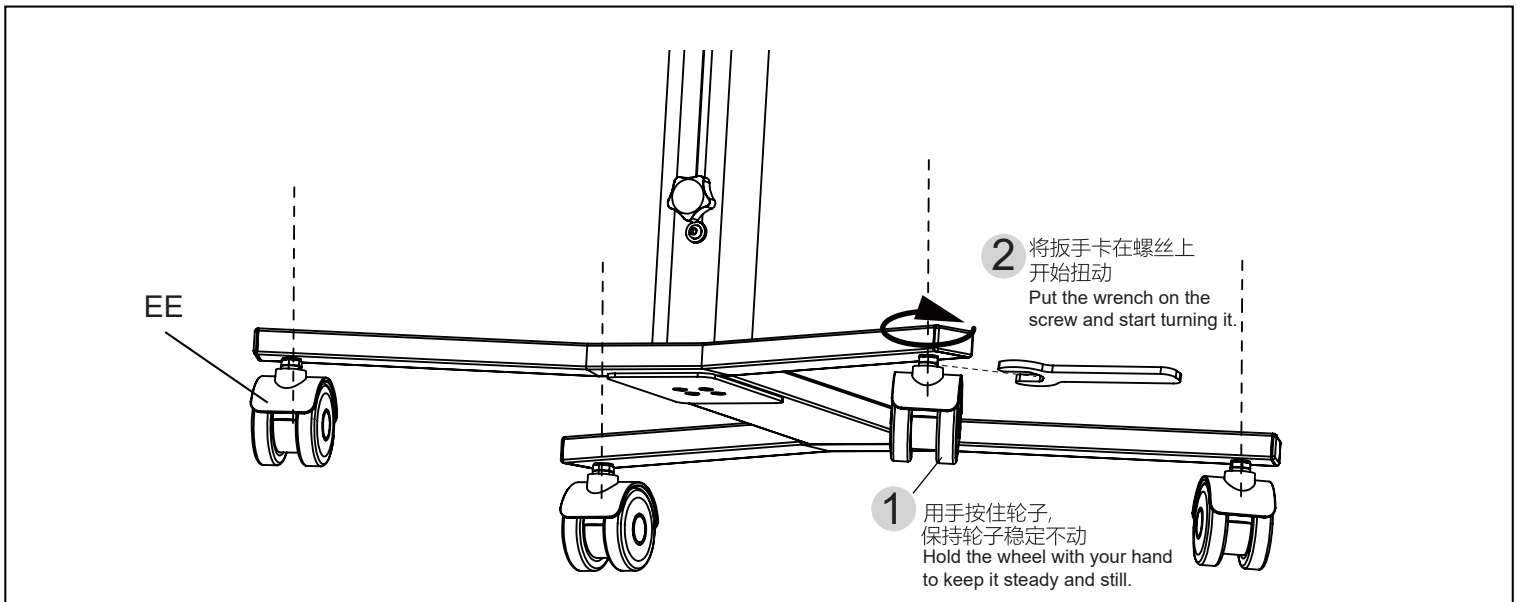
**STEP3:** 将部件DD安装在手臂上, 再将高度调整压板安装在台板上  
 Install component DD on the arm, and then install the height adjustment component on the platform



**STEP4:** 将电脑固定在台板上  
 Fix the computer onto the tabletop



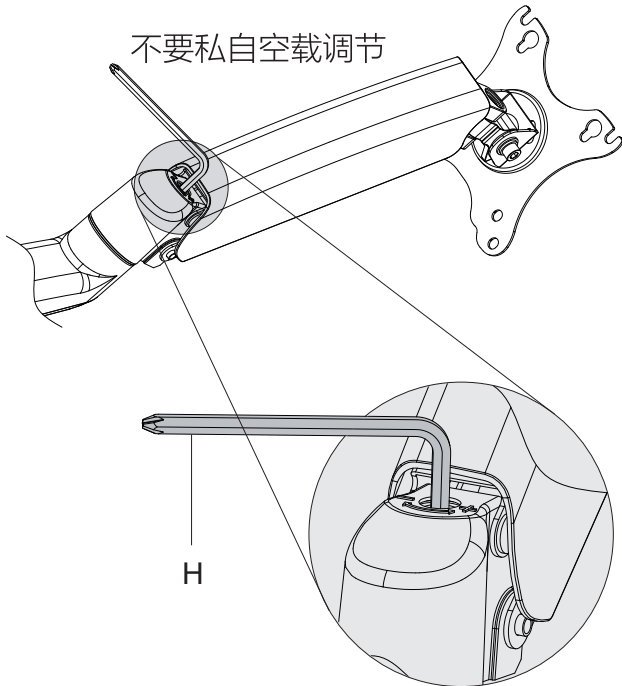
**STEP5:** 将轮子EE安装在底座上  
 Fix the computer onto the tabletop



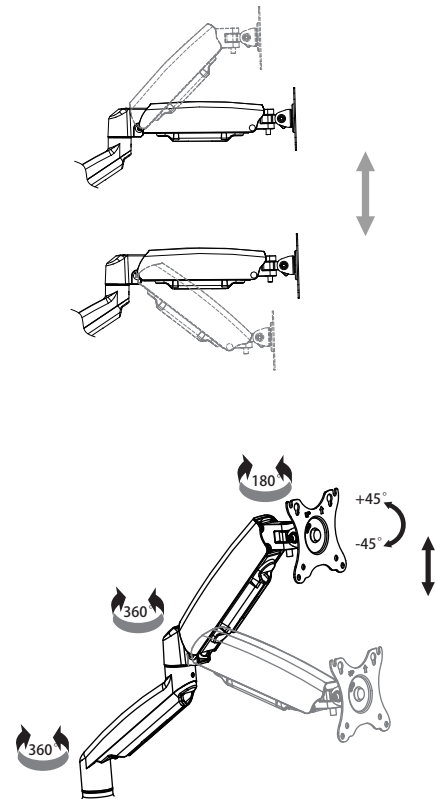
## Function (功能) :

### 01 手臂力值调节 (Arm force adjustment)

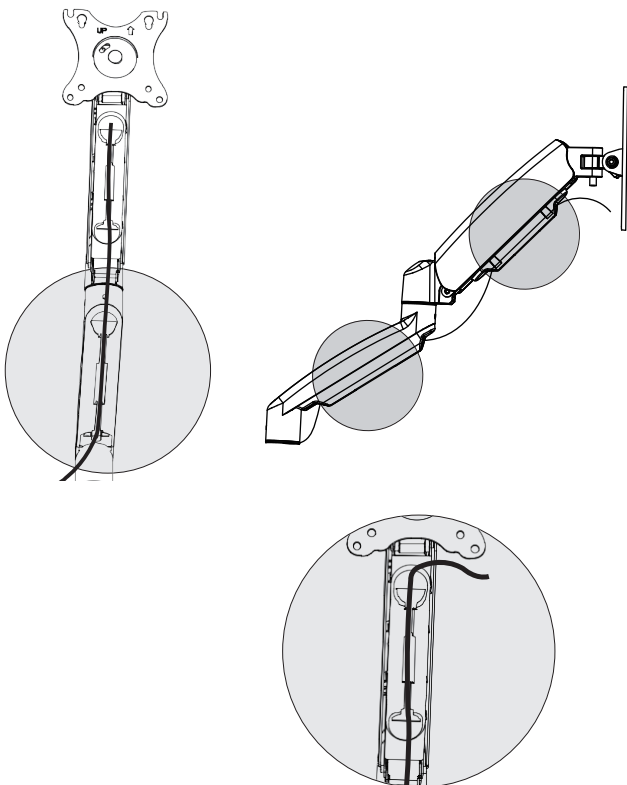
转动逆时针(“+”方向)增加钢弹簧张力,  
Rotate counterclockwise (“+” direction) to increase the tension of the steel spring.  
转动顺时针(“-”方向)降低钢弹簧张力,  
Rotate clockwise (in the “-” direction) to reduce the tension of the steel spring.  
直到可以保持所需的位置。  
Until the desired position can be maintained.



### 02: 旋转调节 (Rotary adjustment)



### 03: 理线 (Cable routing)



### 04: 升降调节 (Lift adjustment)

