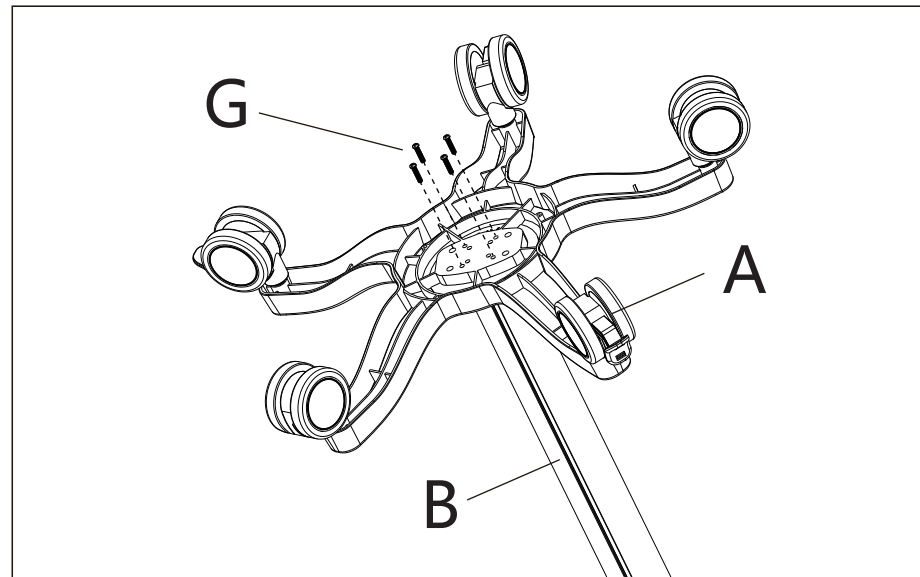
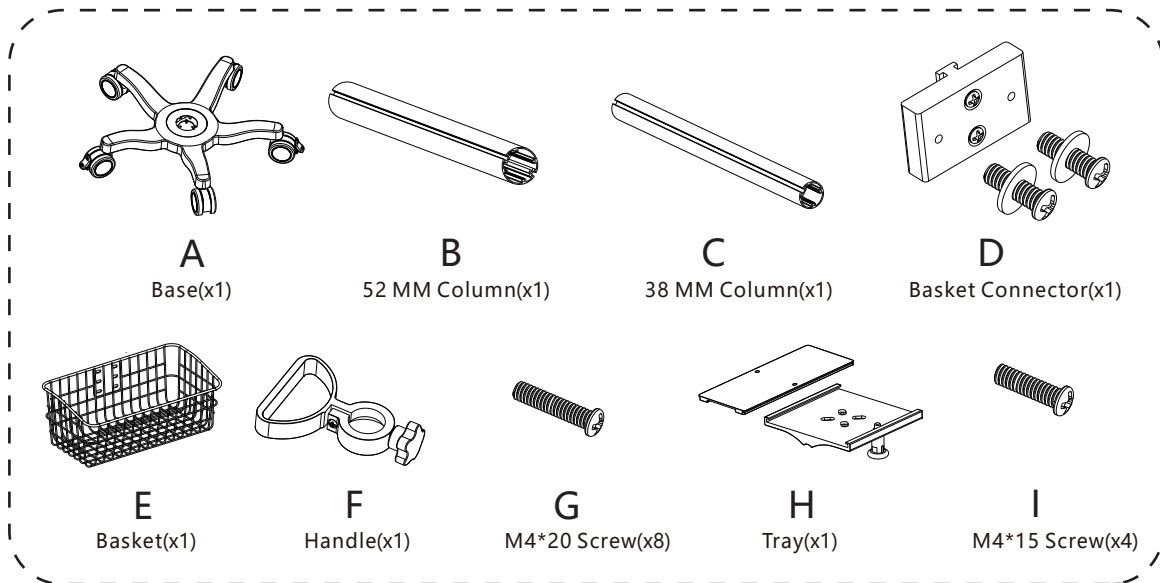


# INSTALLATION INSTRUCTION

TMO-MED-013

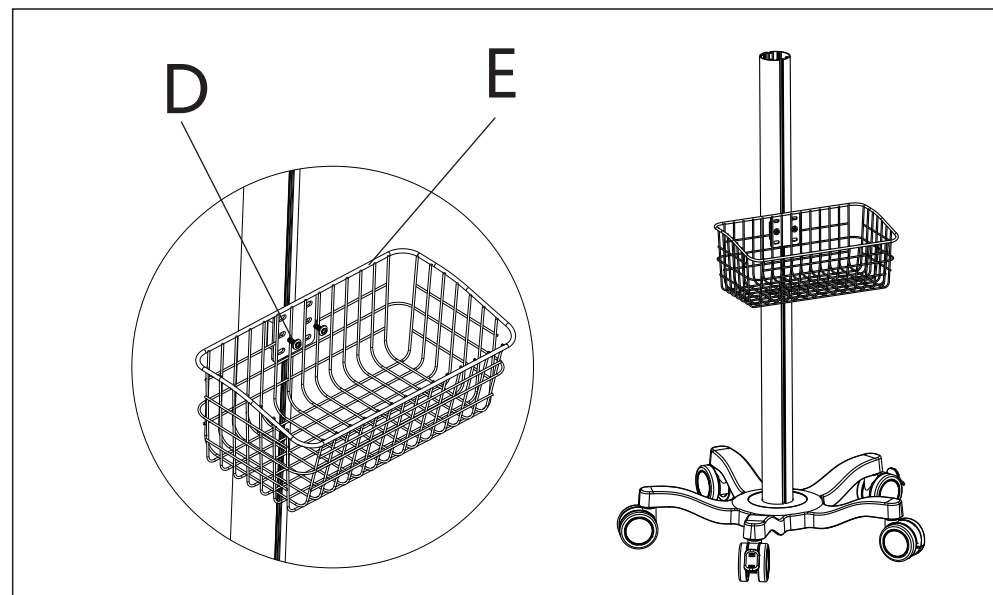
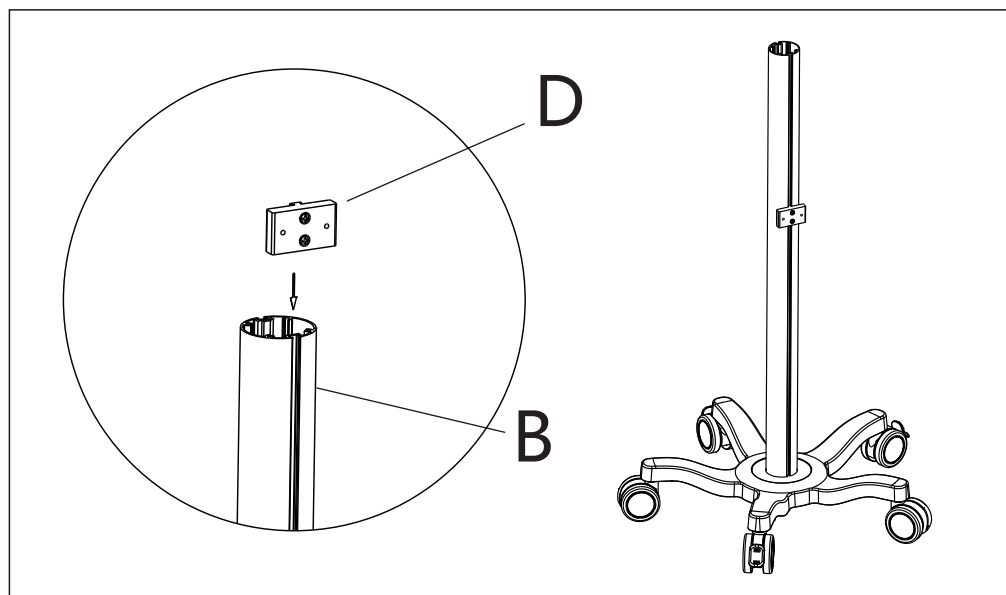
## Components

STEP1: Install column B and base A with screw G

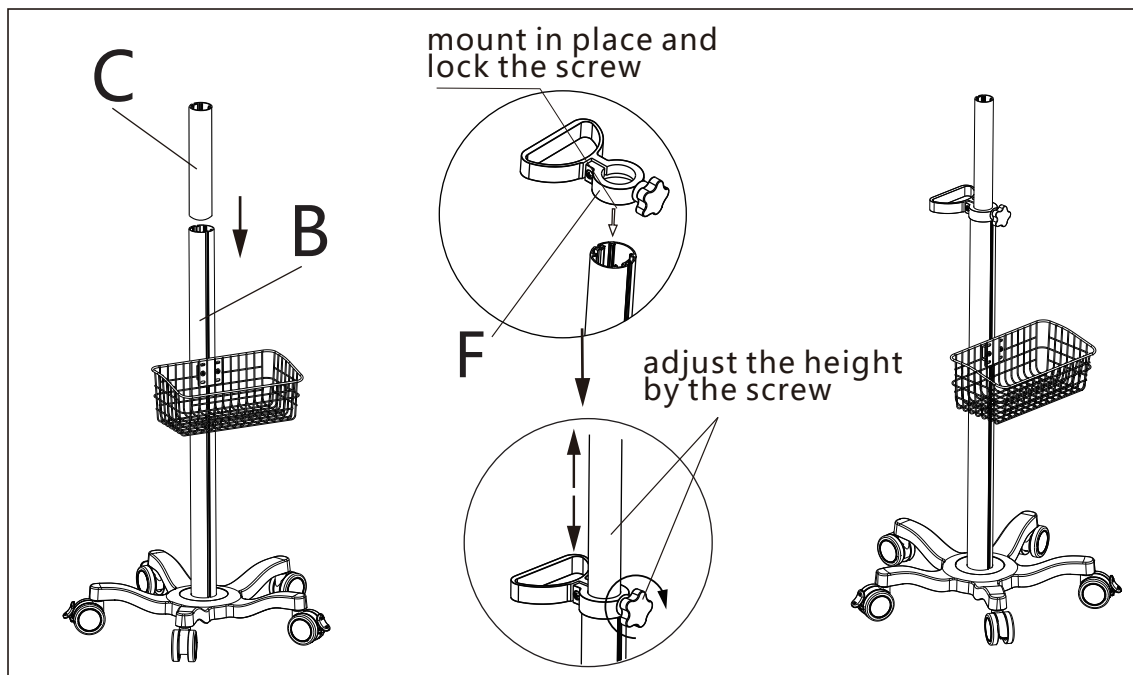


STEP2: Insert basket connector D to column B

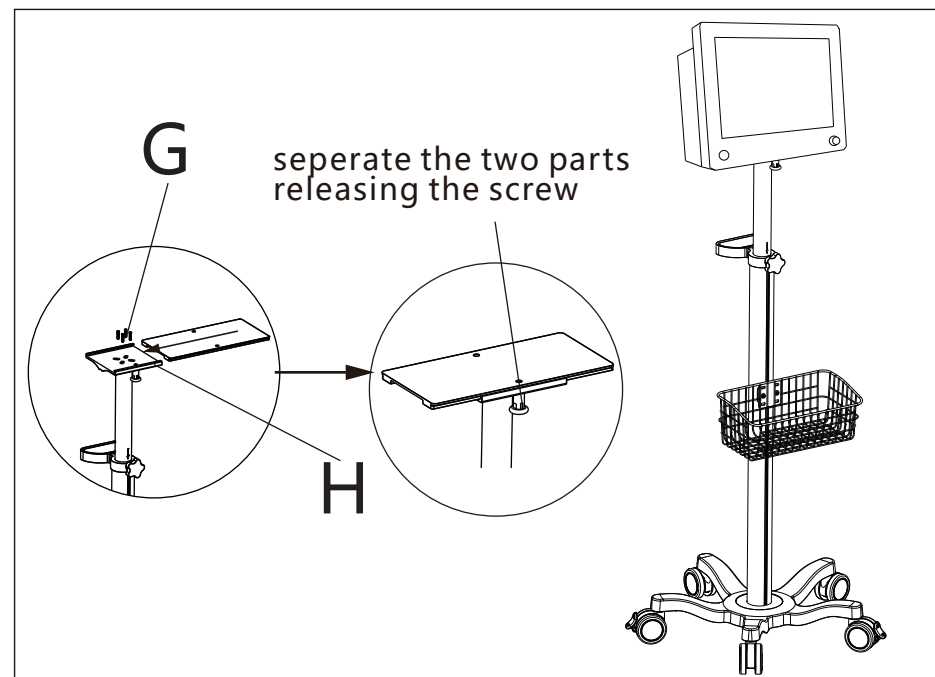
STEP3: Install the basket E to basket connector D



**STEP4:** Insert column C to B, then downward mount the handle F



**STEP5:** Fix tray H to the column with screw G



**STEP6:** If your device has screw holes, can drill the proper holes on the top tray, then fix it with screws.

