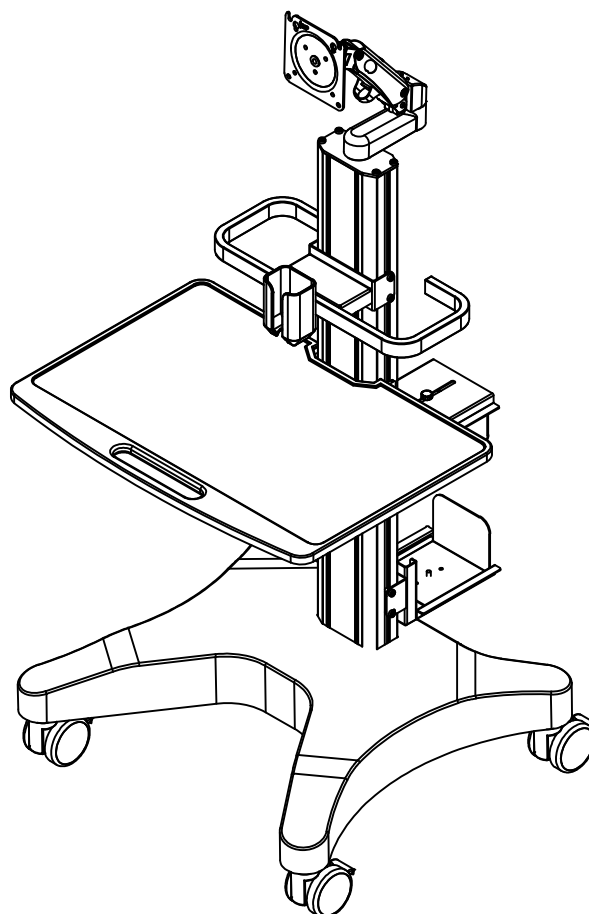


Mouth sweeping mobile cart

TMO-MED-017



Fits size: 15" -32"

Max Load: 2-7kg(4-16Ibs)

VESA: 75×75/100×100

Attention!

The instructions may not cover all the details when installation.
Pictures shown are not the same as the actual item.

Please confirm the finished package when you receive. If breakage contact with the shipper.

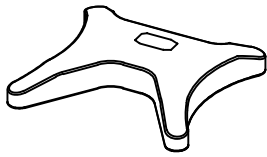
Not the all the parts will be used.

Installation according to the instructions or it will cause fall off the flat panel with wrong ways and producer will be not in charge of it and not within the scope of warranty.

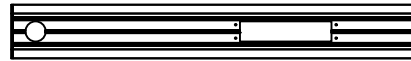
This product includes mini items, please stay away from children.

Forbidden load is beyond of max.

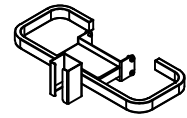
part list :



Base 1X



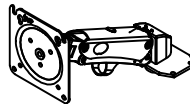
column 1



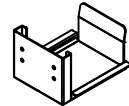
handle 1X



Optional plate 1X



monitor arm1X




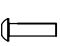
CPU holder2X

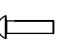



Casters 4X

A-  (M6x18)-8pcs

B -  (5.0mm)-1 pcs

C-  (M4x12)-4 pcs

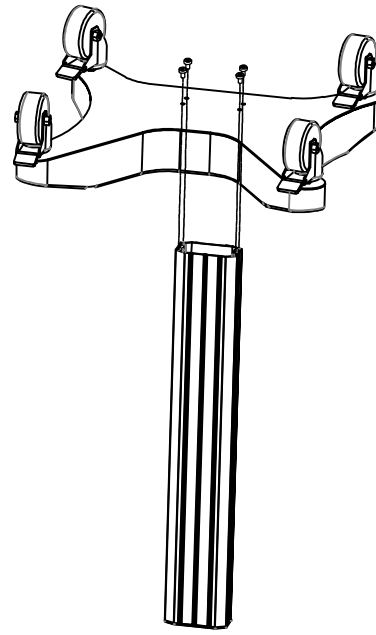
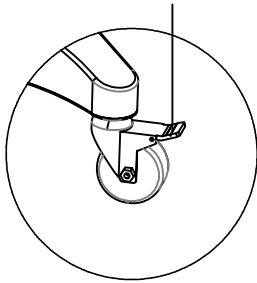
D-  (M4x16)-4 pcs

E-  (Ø8*Ø5.5*5mm)-4 pcs

step 1

Take out the column unit and lay on the package to avoid damage of the column, then connect to the base with four screws.

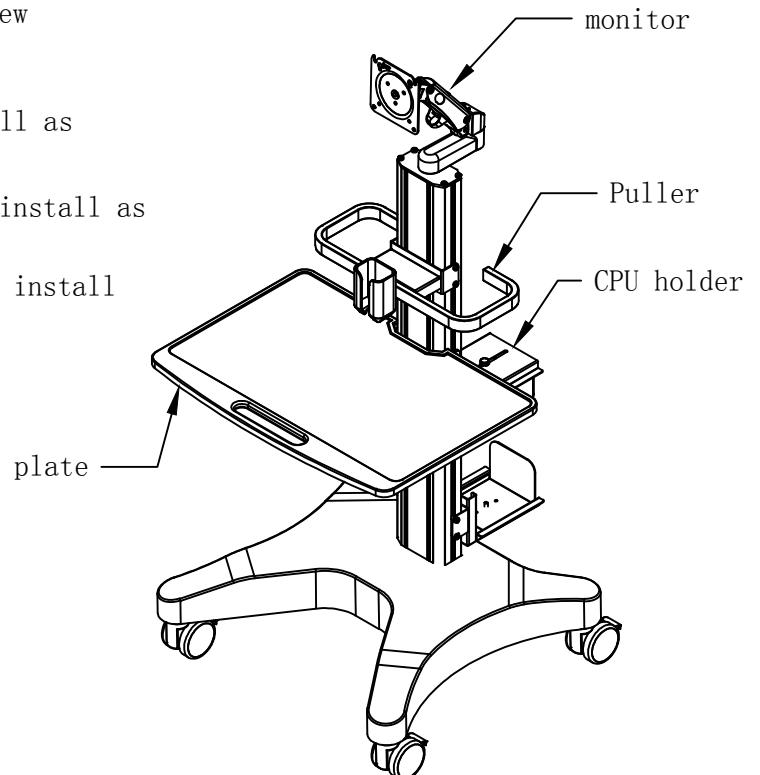
Attention: if floor is uneven you can adjust the height of the caster. Press down.



step 2

The parts below will need the screw unit.

- 1、 Take out the plate unit and install as pictures shown below
- 2、 Take out the CPU holder unit and install as pictures shown below
- 3、 Take out the monitor arm unit and install as pictures shown below
- 4、 Take out the Puller arm unit and install as pictures shown below



step 3

Lay flat screen face down on the package and choose the proper screws according to the VESA. And screw two in the top of back first.

As picture shown 3-1 attention, distance is 2~4mm between head of screw and flat screen. As As picture shown 3-2

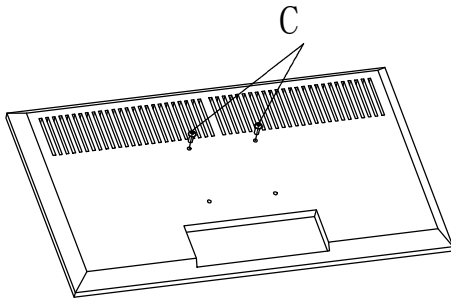


图3-1

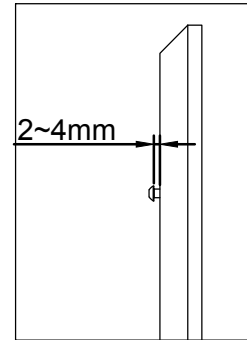


图3-2

step 4

If flat screen is depression type , choose B screws with raised cushion. And screw two in the top of back first As As picture shown 3-3 . 1 attention, distance is 2~4mm between head of screw and flat screen. As picture shown 3-2.

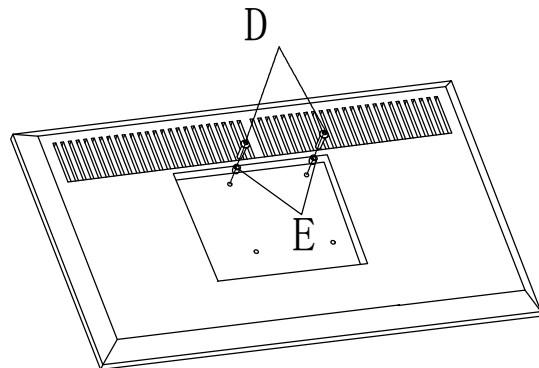


图3-3

step 5

Hang the flat screen with two screws onto the connector of the arm, then tighten two screws below.

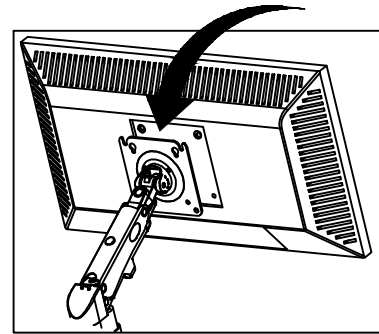


图4-1

Choose the proper screws and tighten.

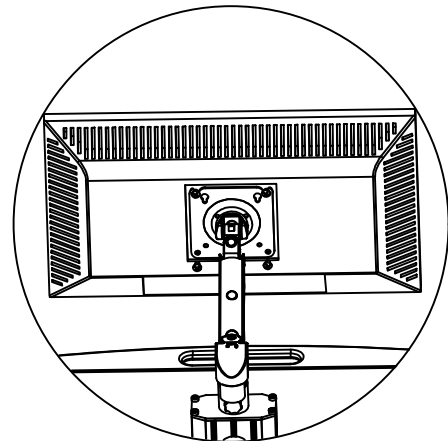


图4-2

step 6

Angle of monitor is ± 35 degrees up and down and horizontal too with hand as your requirement as As picture shown 6-1;6-4

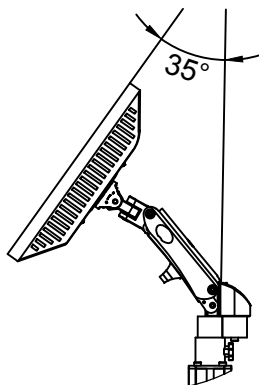


图6-1

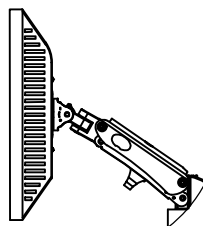


图6-2

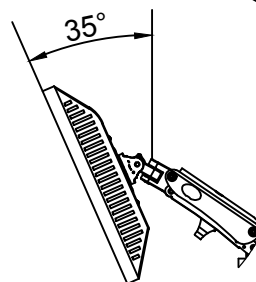


图6-3

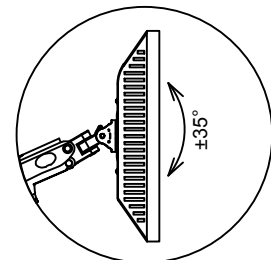
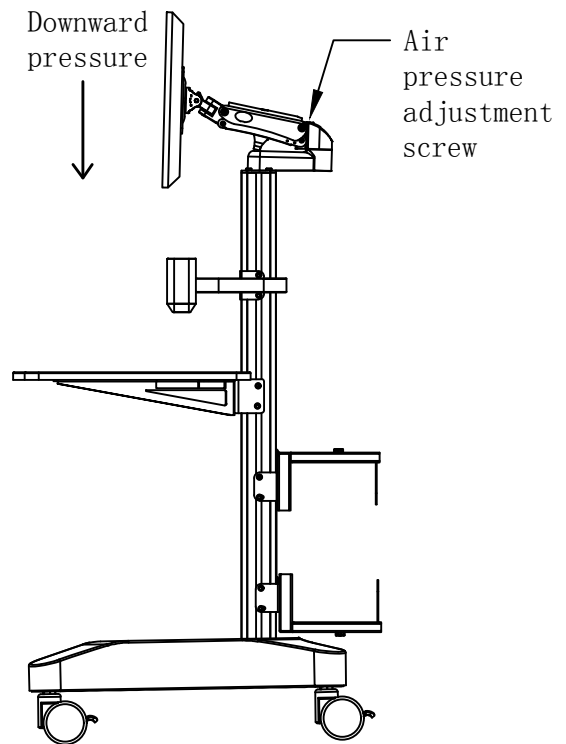


图6-4

step 7

Height of monitor arm can be adjusted freely using right way. Tighten and loose the screws .



Step 8

Flat screen can be adjusted front and back freely as your requirement holding the monitor with two hands.

Get the proper height firstly, then thread line.

