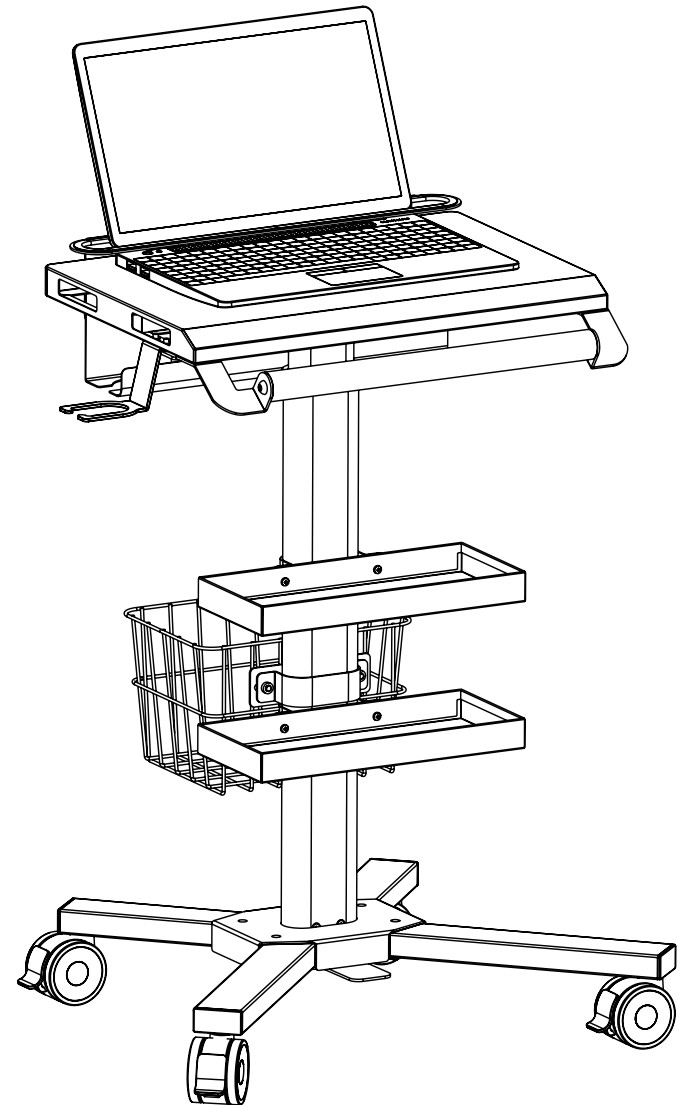


INSTALLATION GUIDE

Medical Mobile cart

TMO-MED-018

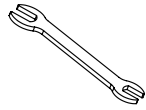


Parts Lists



Hexagon wrench
S3(x1)

A



Open end wrench
10-14(x1)

B



Hexagon wrench
S5(x1)

C



Hexagonal large
flat head screw
M5*8(x9)

D



Hexagonal large
flat head screw
M8*12(x2)

E



Non-slip nuts
M6(x4)

F



Spacer
φ16*φ6.2*1.0(x4)

G

Main Parts



Base leg
(left and right)

H



Pedal
(x1)

I



Pedal cover
(x1)

J



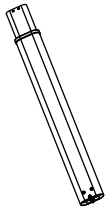
Casters
(x4)

K



Laptop anti-theft plate
(x1)

L



Column (x1)
(screws M5*20 are fixed)

M



Handle bar
(x1)

N



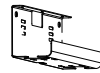
Handle bar connector
(x1)

O



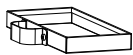
Barcode scanner holder
(x1)

P



Cable storage plate(x1)
(screws M5*8 are fixed)

Q



Tray (x2)
(screws M6*12 are fixed)

R



Basket (x1)
(screws M6*12 are fixed)

S



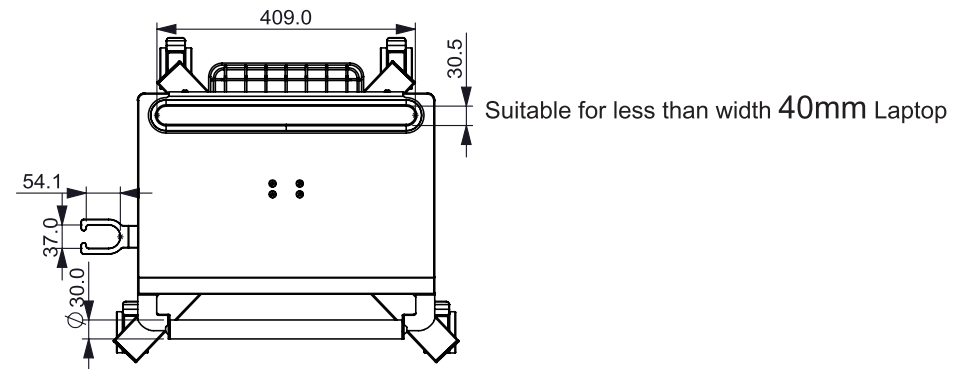
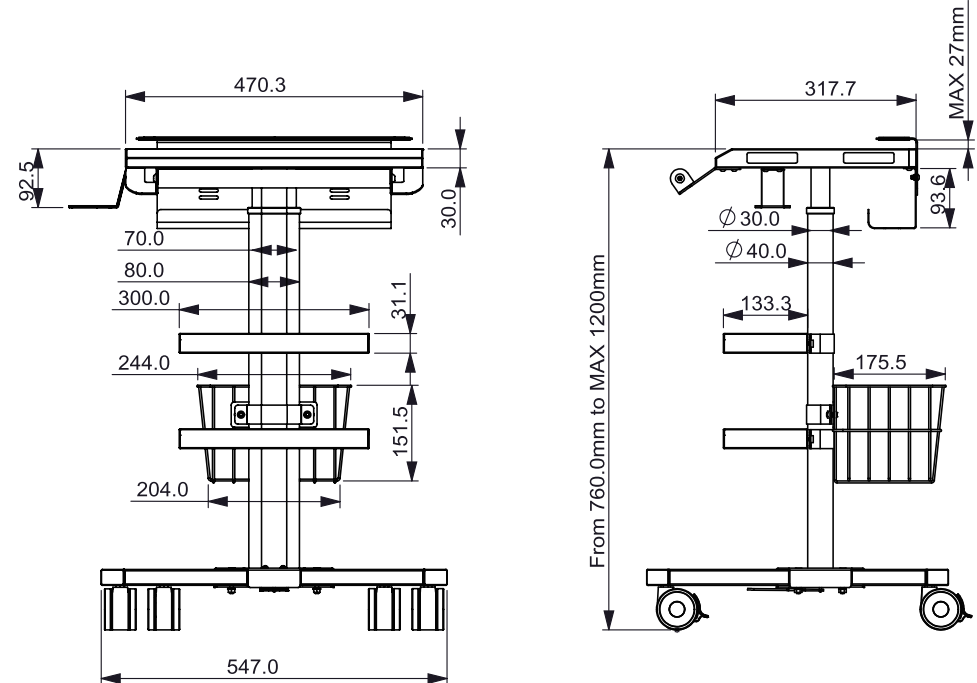
Laptop tray
(x1)

T

TMO-MED-018

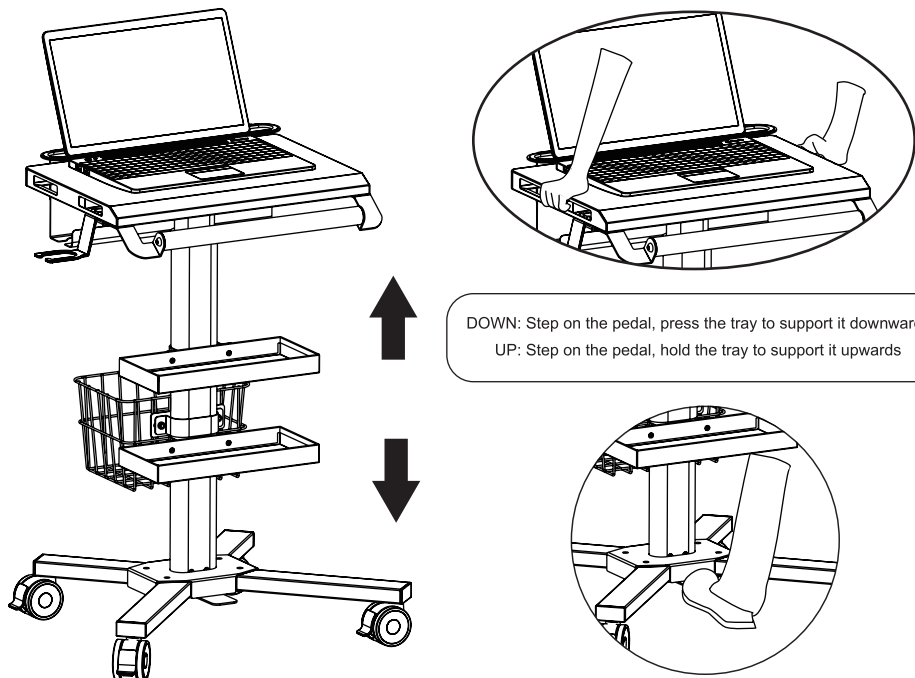
MEDICAL CART PRODUCT DIMENSIONS

Load Capacity: 4kg



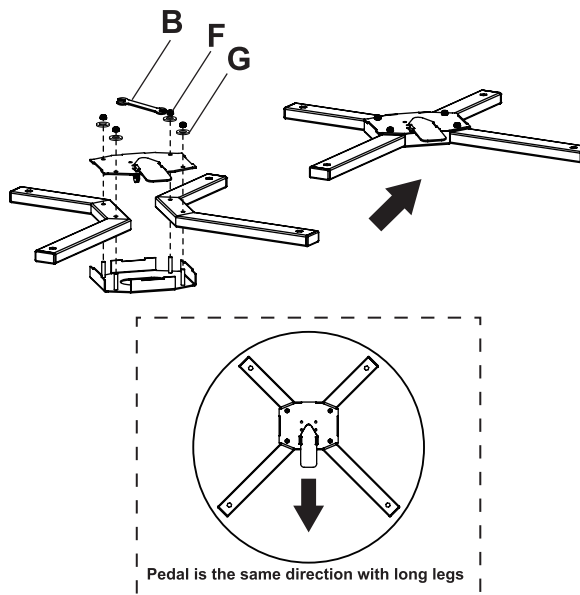
STEP13

Adjust the height with pedal



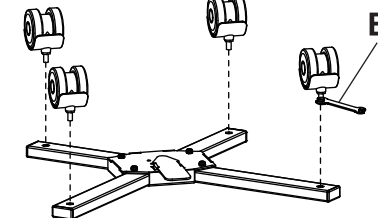
STEP1

Assemble base legs(H) with Pedal(I) and Pedal cover(J) via screw, nuts and wrench



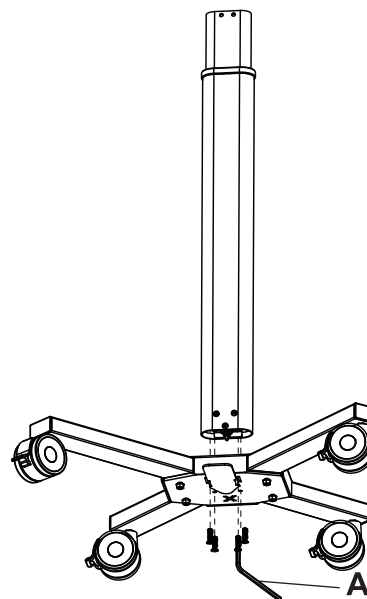
STEP2

Fix 4 casters(K) on the base legs



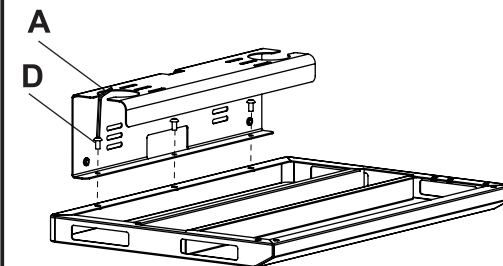
STEP3

Fix the column(M) to the base legs



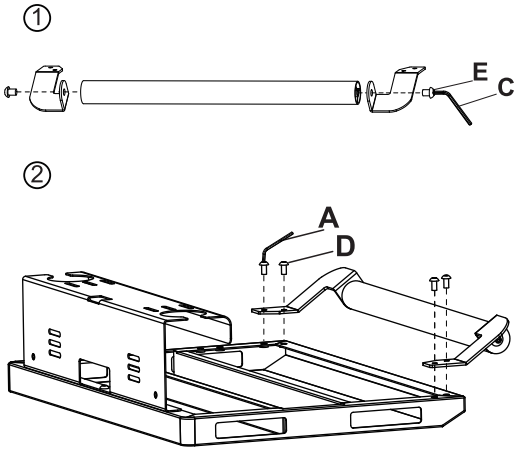
STEP4

Assemble the cable storage plate(Q) to the laptop tray(T) with screws and wrench

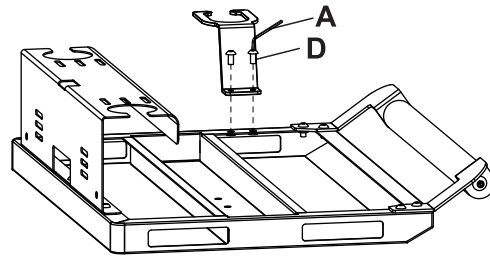


STEP5

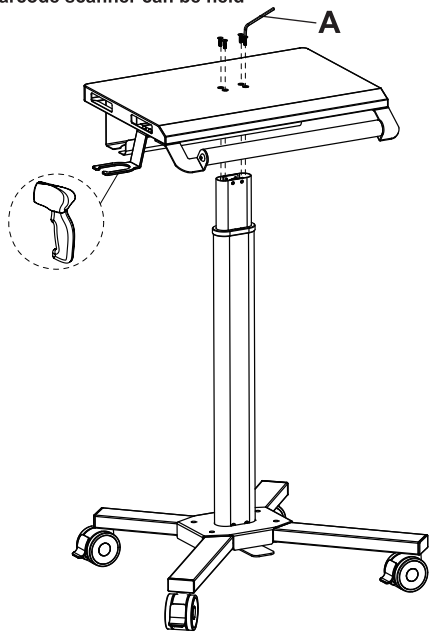
Assemble the handle bar(N) with connectors(O), and then fix it to the laptop tray(T)

**STEP6**

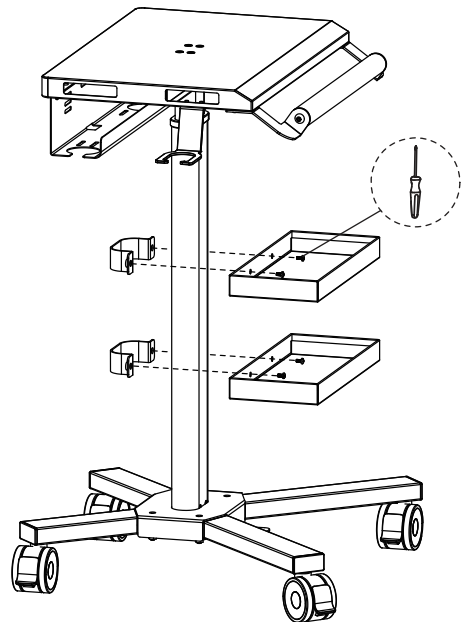
Fix the scanner holder(P) to the laptop tray(T)

**STEP7**

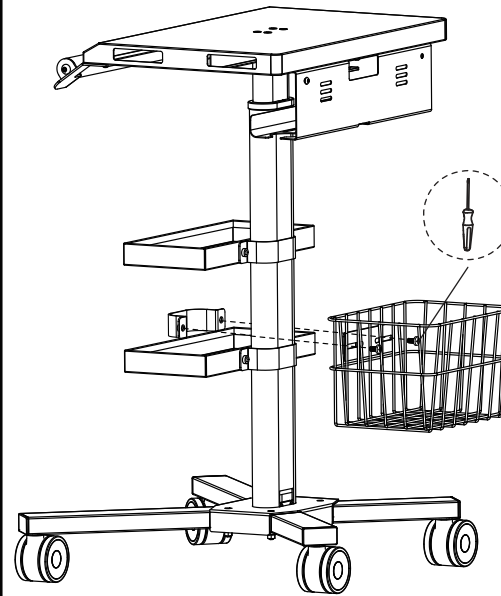
Fix the assembled laptop tray(T) with the column(M), barcode scanner can be held

**STEP8**

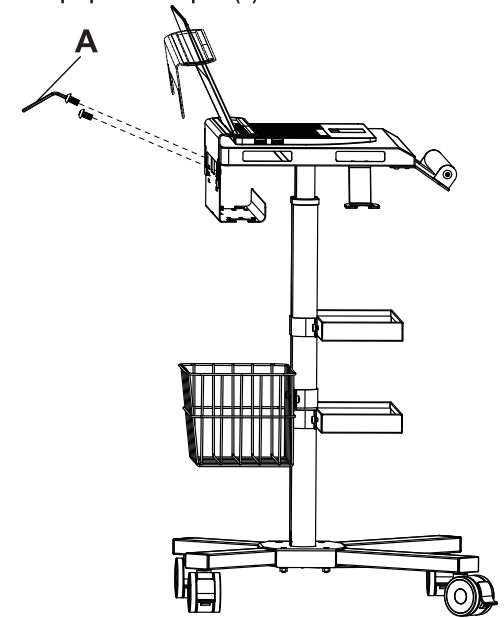
Fix two trays(R) on

**STEP9**

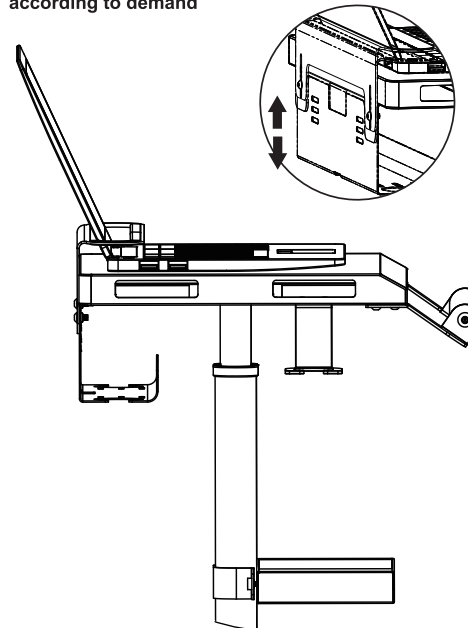
Fix the basket(S) on

**STEP10**

Put the proper laptop on the tray and fix the laptop anti-theft plate(L) on

**STEP11**

Adjust the cable storage plate up and down according to demand

**STEP12**

Cable management as you need

