

# INSTALLATION INSTRUCTION

TMO-MED-024

## Components:



Hexagon socket head cap screws M6\*25(x4)

**A**



Philips pan head screw M3\*8(x4)

**B**



S-HOOK (x8)

**C**



Hexagon socket head cap screws M6\*16(x2)

**D**



Hex countersunk M6\*25(X2)

**E**



Open end wrench 10-14(x1)

**F**



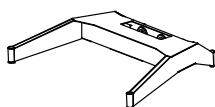
Hexagon wrench S4(x1)

**G**



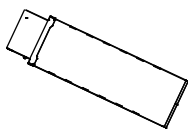
Wheel (x4)

**AA**



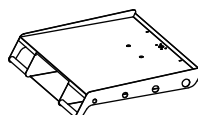
Base (x1)

**BB**



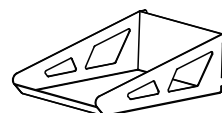
Column (x1)

**CC**



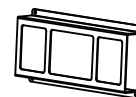
Tray (x1)

**DD**



Basket (x1)

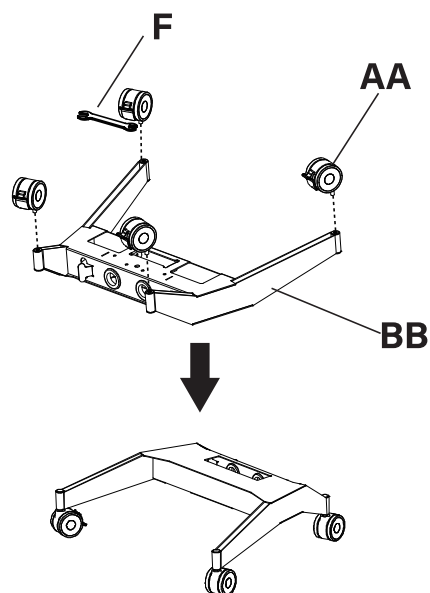
**EE**



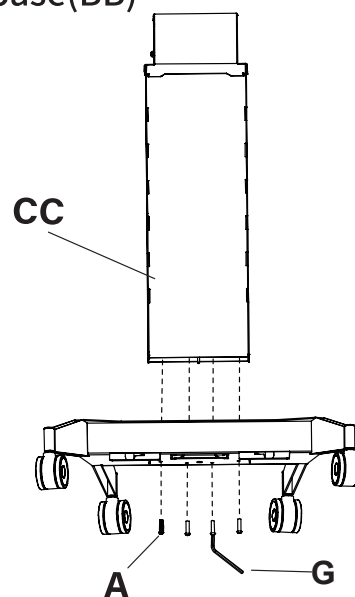
Power strip holder (x1)

**FF**

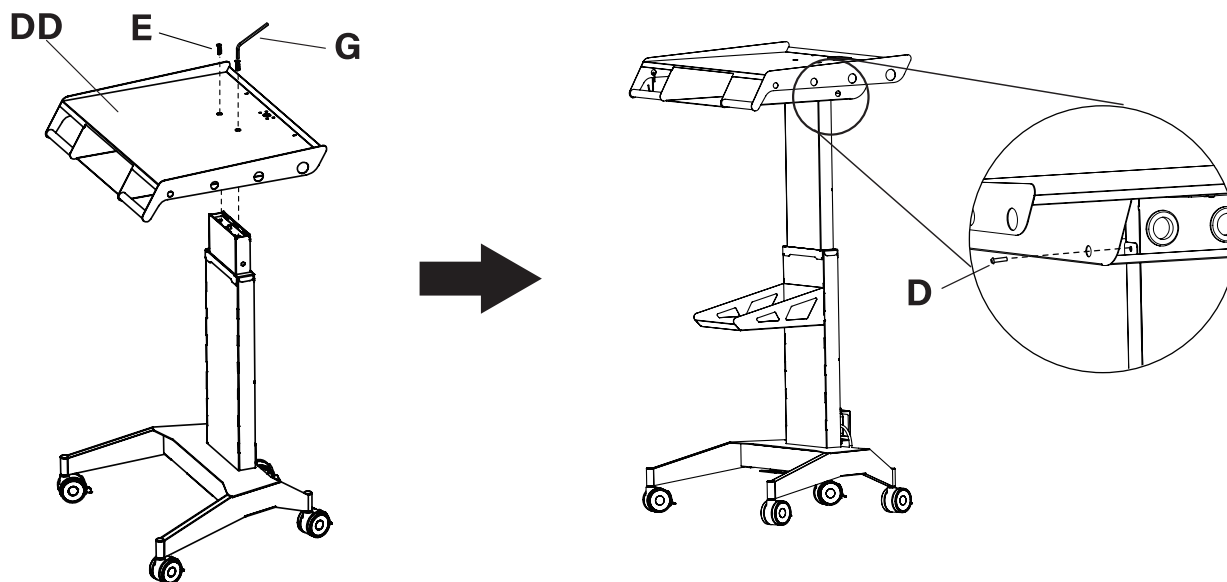
### STEP 1: Mount the wheels(AA) to the base(BB)



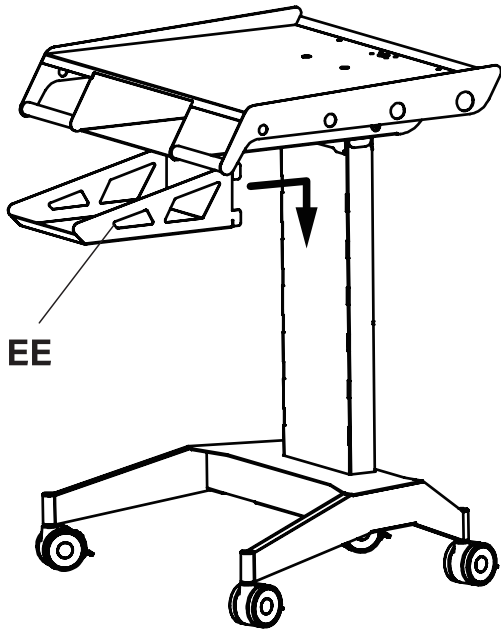
### STEP 2: Assemble the column(CC) to the base(BB)



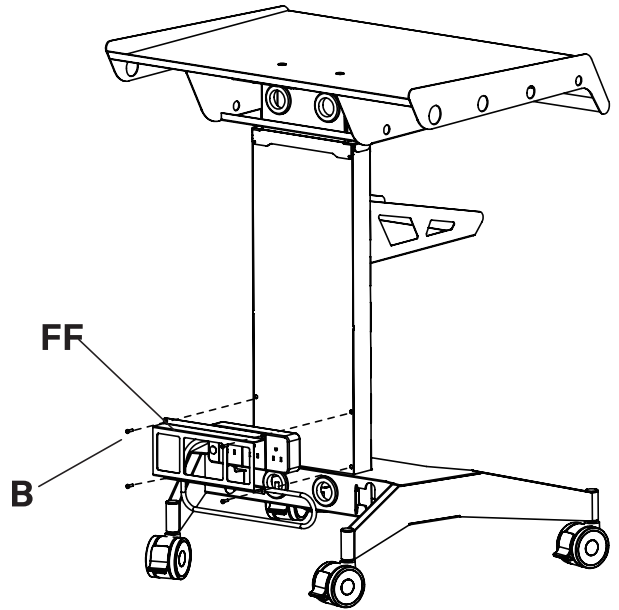
### STEP 3: Assemble the tray(DD) to the column (CC)



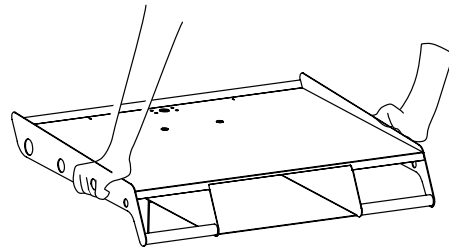
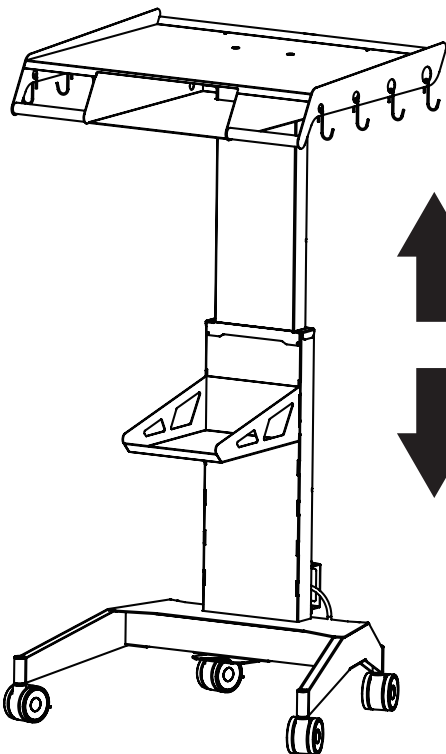
**STEP 4: Clip the basket (EE) to the column(CC)**



**STEP 5: Mount the power strip holder (FF) to the column(CC) to the column(CC)**



**STEP 6: Lift up and down with the pedal**



DOWN: Step on the pedal, press the tray to support it downwards.  
UP: Step on the pedal, hold the tray to support it upwards

