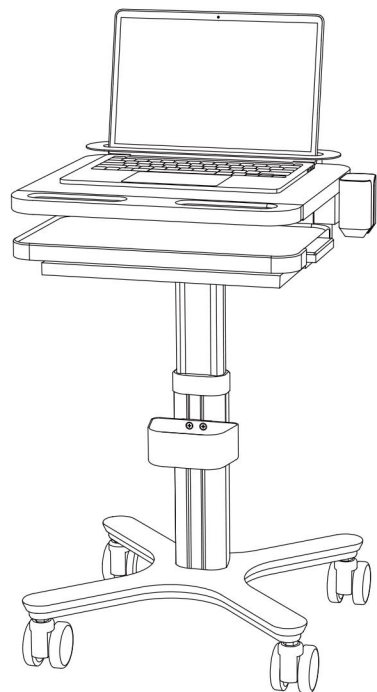
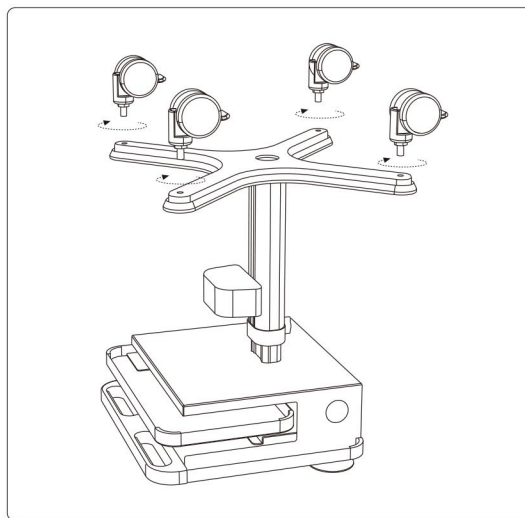


TMO-MED-028

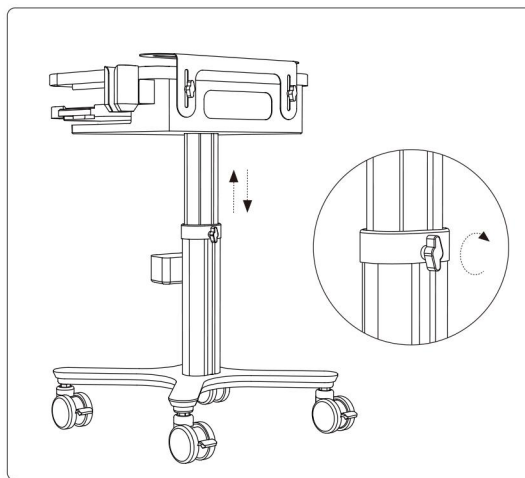


Please read the manual carefully before using the product and keep it properly

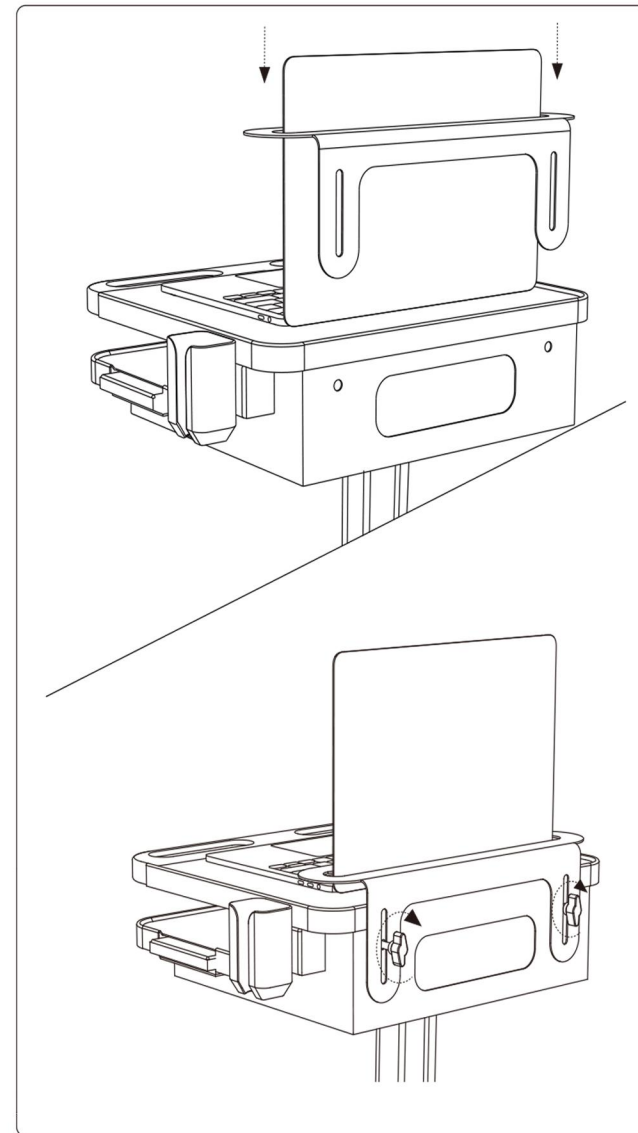
Installation steps



Step 1: Install the 4 wheels on the base.



Step 2: Loosen the handle behind the column for height adjustment. Adjust to the appropriate height then tighten the handle.



Step 3: Install the laptop anti-slip slot. Take out the screws behind the slot. Insert the slot into the laptop screen and tighten the screws.