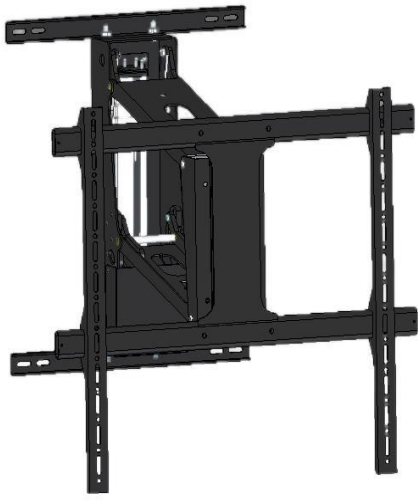





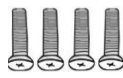
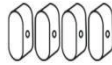
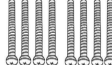







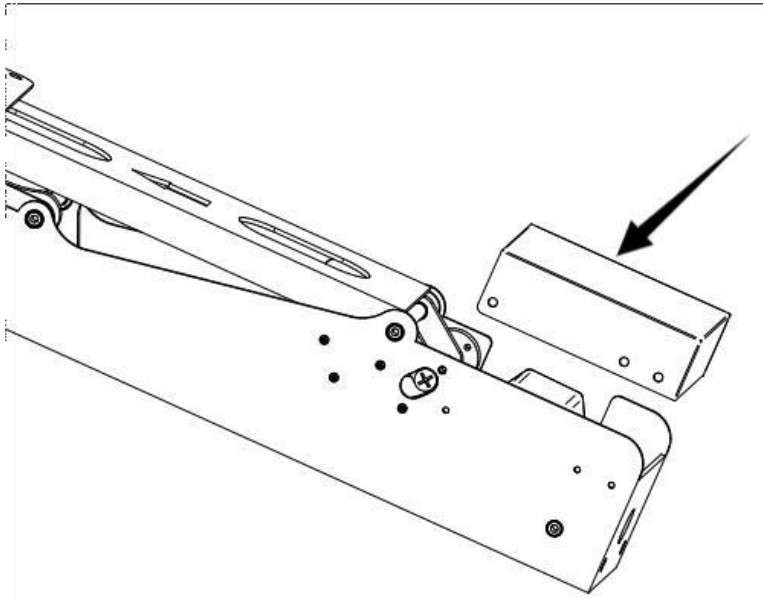
# Motorized Wall Mounted TV Bracket Manual

## Model: TMO-MTV-001

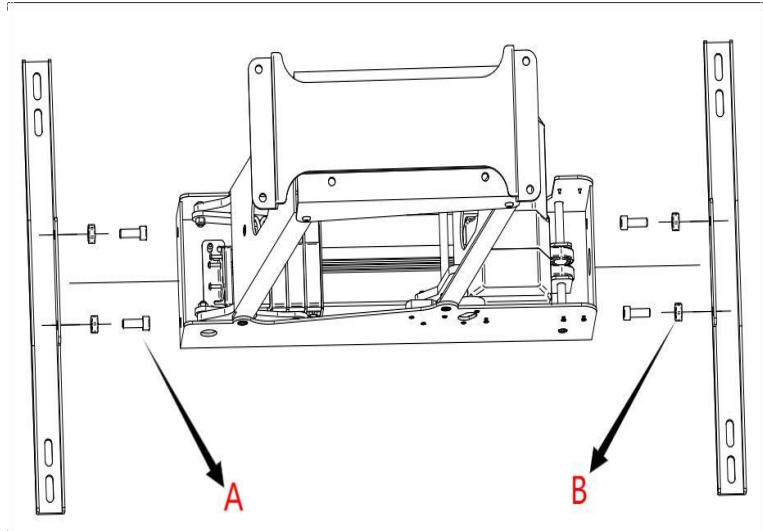


|  |   |  |  |   |  |  |
|--|---|--|--|---|--|--|
| <p>Ⓐ<br/>M8*20</p>  | <p>Ⓑ<br/>M8</p>       | <p>Ⓒ<br/>M7*60</p>  | <p>Ⓓ<br/>φ7*φ10*60mm</p>  | <p>Ⓔ<br/>M5*8mm</p>  | <p>Ⓕ<br/>M5*10mm</p>  |  |
| <p>Ⓗ<br/>堵盖</p>     | <p>Ⓖ<br/>M6*30mm</p>  | <p>Ⓙ<br/>M6</p>     | <p>Ⓝ<br/>φ 6φ 16*1mm</p>  | <p>Ⓚ<br/>圆柱套</p>     | <p>Ⓛ<br/>M6*10mm</p>  | <p>Ⓜ<br/>M8*30mm</p>  |

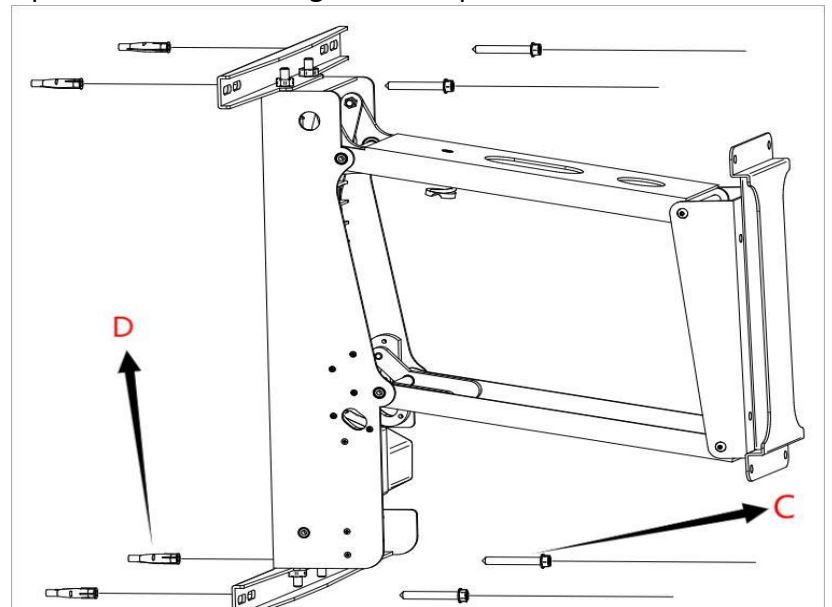
### 1. Remove the cover first.



**2. Install and secure the upper and lower brackets.** Connect the chassis to the brackets, aligning the bracket holes with the upper and lower holes on the chassis. Secure with four bolts and nuts.

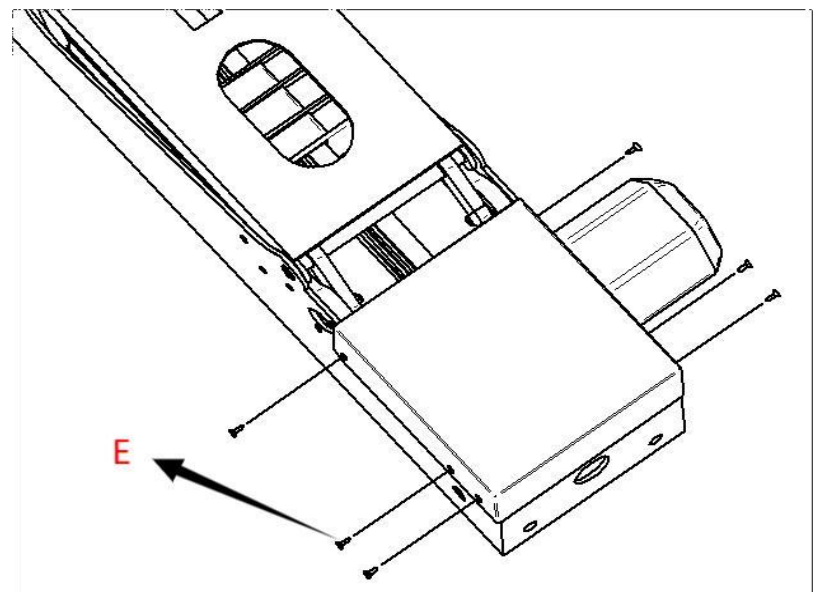


**3. Place the bracket crossbeam at the desired installation location, mark the hole positions, and drill holes. Place four expansion tubes into the holes and secure the bracket body with four expansion screws through the wall panel.**



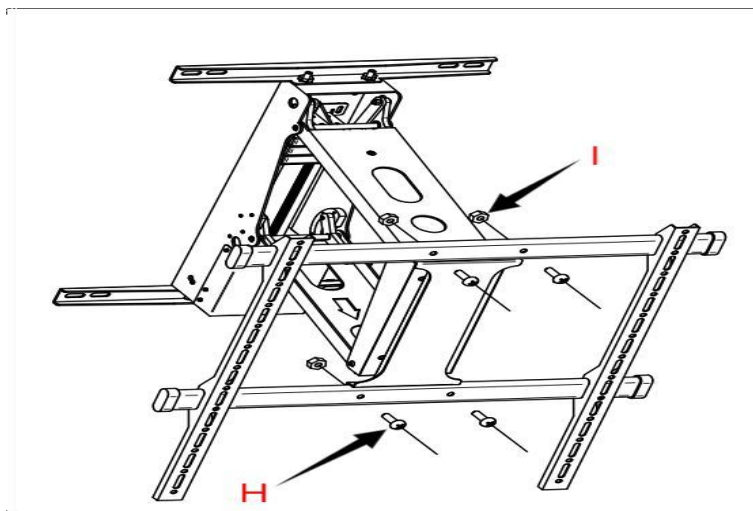
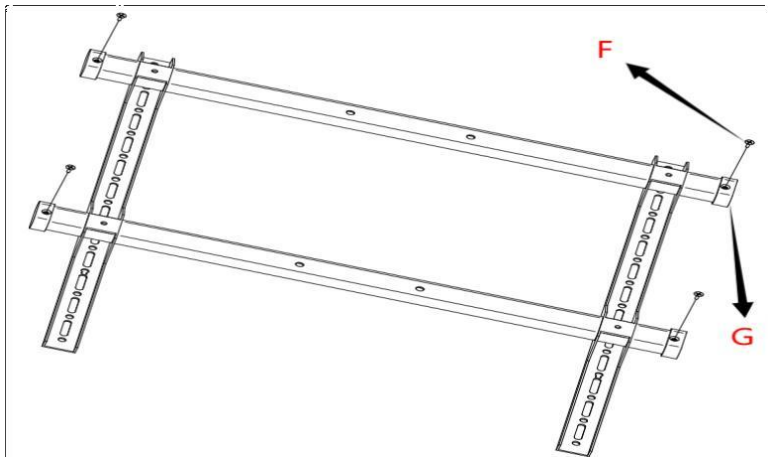
### 4. Secure the Case Cover

Align the left and right holes of the case cover with the holes on the case and secure it with six countersunk screws.



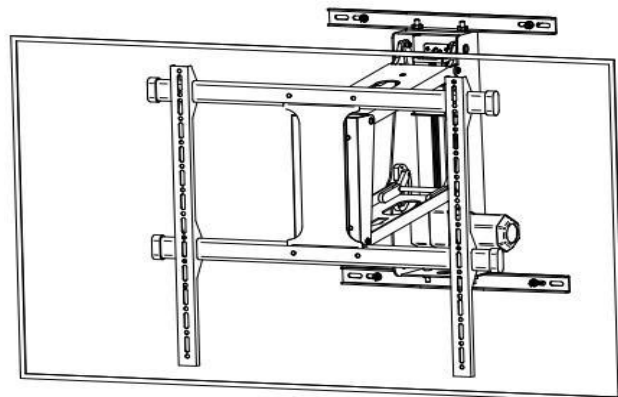
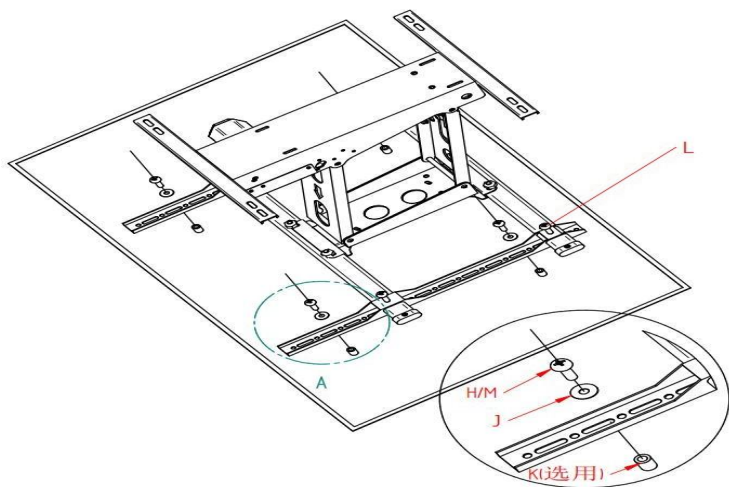
## 5. Install the well frame

- ① Insert the two crossbeams into the two holes on the upper and lower sides of the hook, and secure the end caps on each side with screws.
- ② Connect the four holes on the upper and lower connecting plates to the four holes in the middle of the crossbeams with bolts and nuts.



## 6. TV Installation

- ① Select the appropriate holes for the two vertical hooks on the assembled crisscross bracket and connect the bracket to the holes on the back of the TV.
- ② Install the upper and lower safety screws on each hook.



*Friendly Tips: The above installation steps are for reference only. Please refer to the actual product you receive for installation diagrams and accessories. Ensure all screws and nuts are tightened securely during installation. For your safety, this product must be used within the specified size and weight ranges and ensure the quality and load-bearing quality of the mounting wall. Otherwise, we will not be responsible for any consequences arising from installation. If installing on glass or glass curtain walls, foam tiles, marble, fiberboard, or wood, please consult a professional installer before installation. Otherwise, we will not be responsible for any consequences arising from installation.*