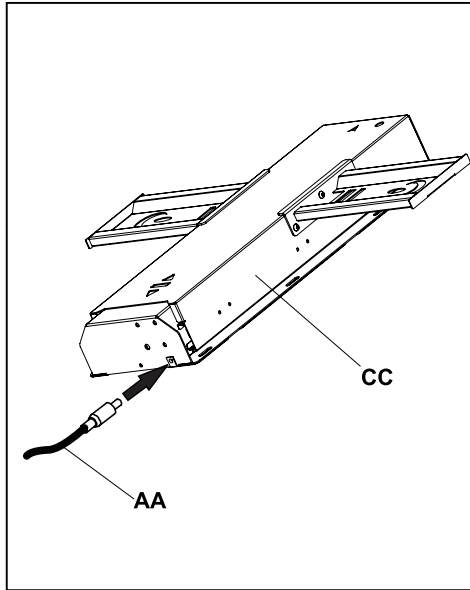
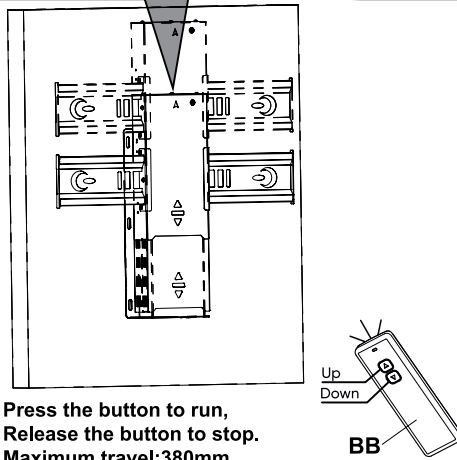


**Step 3: Apply AA to CC.**



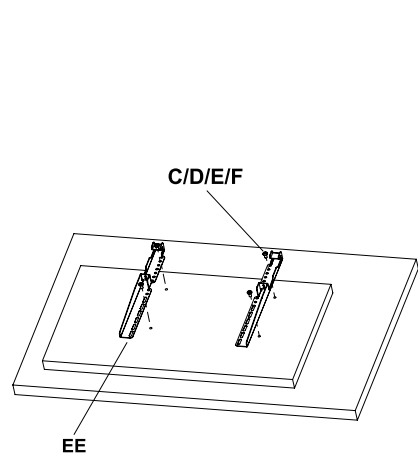
**▲ WARNING**

Keep a distance of more than one meter away from the support. Do not touch the support with anything during operation to avoid being hurt.

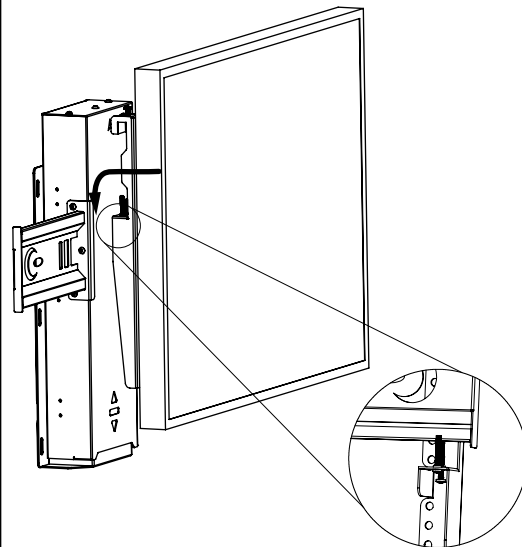


**Step 4: Fix the monitor on the bracket.**

**A** Fix the monitor the hook using screws C/D/E/F or G+H.



**B** Fix the assembled monitor onto the bracket.



# INSTALLATION GUIDE

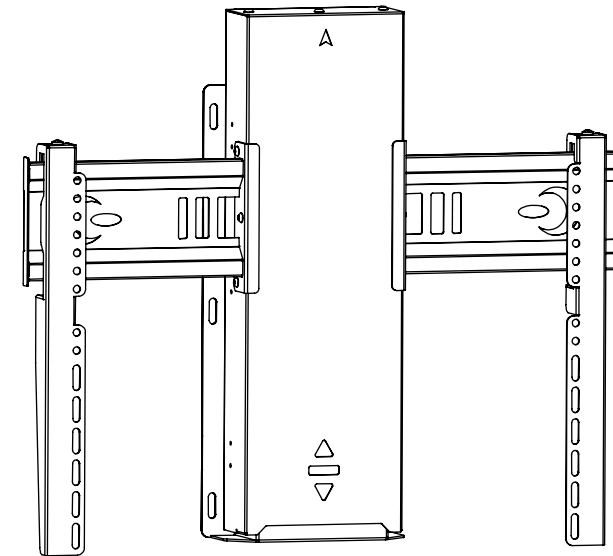
## Motor Glide TV Mount

TMO-MTV-002

Support 45" to 65" Screens

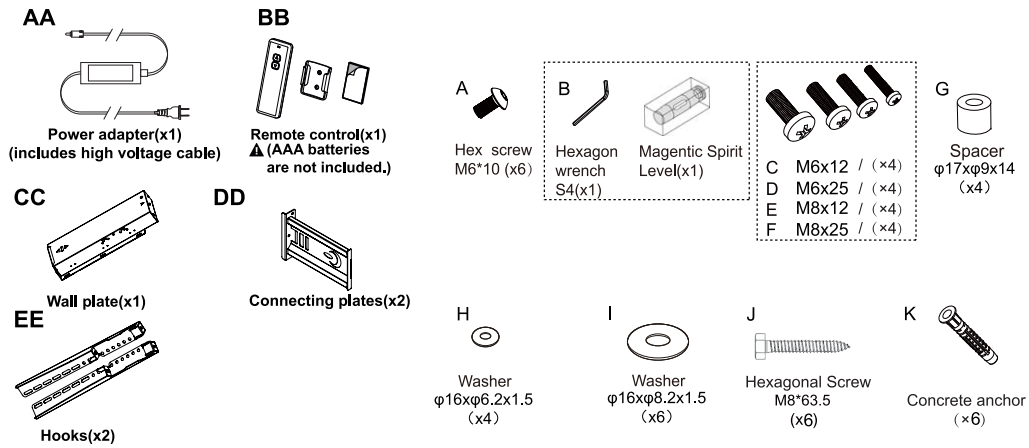
Max Load Capacity: 176lbs(80kg)

VESA:200x200mm~600x400mm

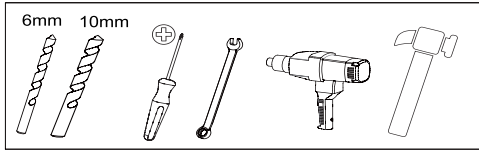


# Installation Instructions

## Components



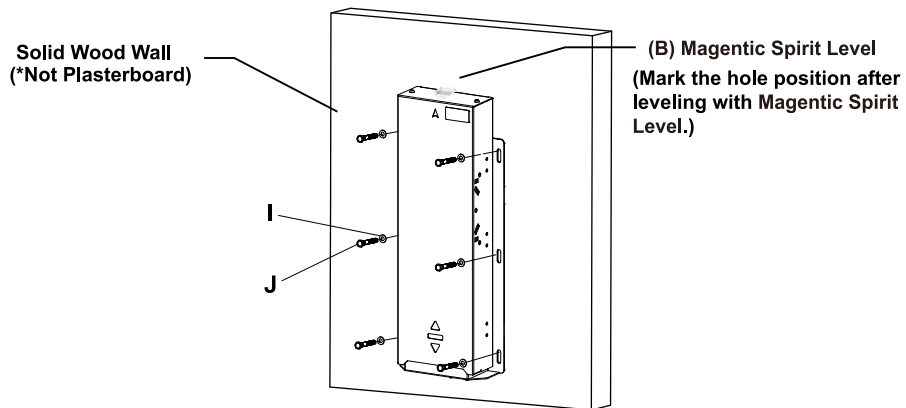
## Tools Needed for Assembly Prepared by Users



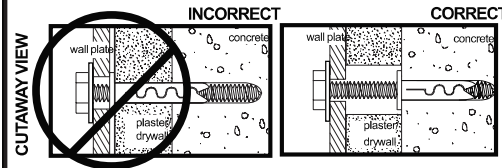
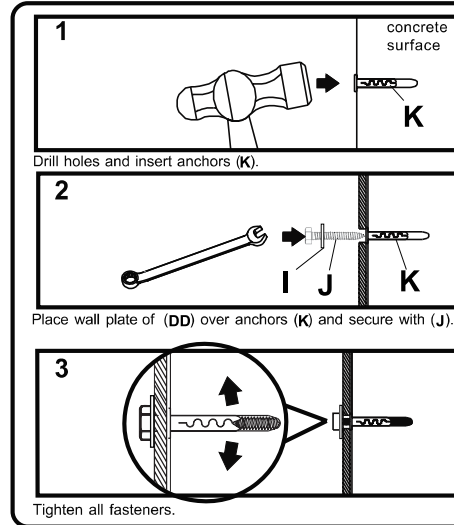
**▲ WARNING**  
Always have someone assist you to lift and position your equipment.

## Step1: Fix the main body to the wall.

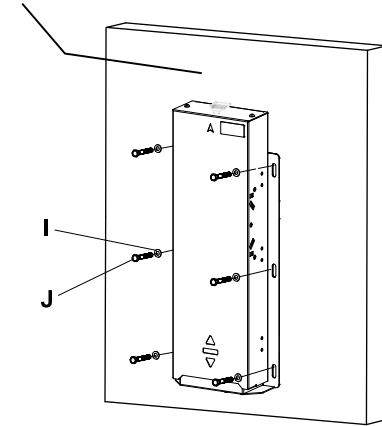
**A: Fix the CC to the WOOD wall with J and I by socket wrench.**  
(Attention: Drill four 6mm diameter and 65mm deep holes)



**B: Fix the CC to the CONCRET wall with J, I and K by socket wrench.**  
(Attention: Drill four 10mm diameter and 65mm deep holes)



**(B) Magentic Spirit Level**  
(Mark the hole position after leveling with Magentic Spirit Level.)



## Step2: Install the hanging board DD onto the host CC using screws A.

