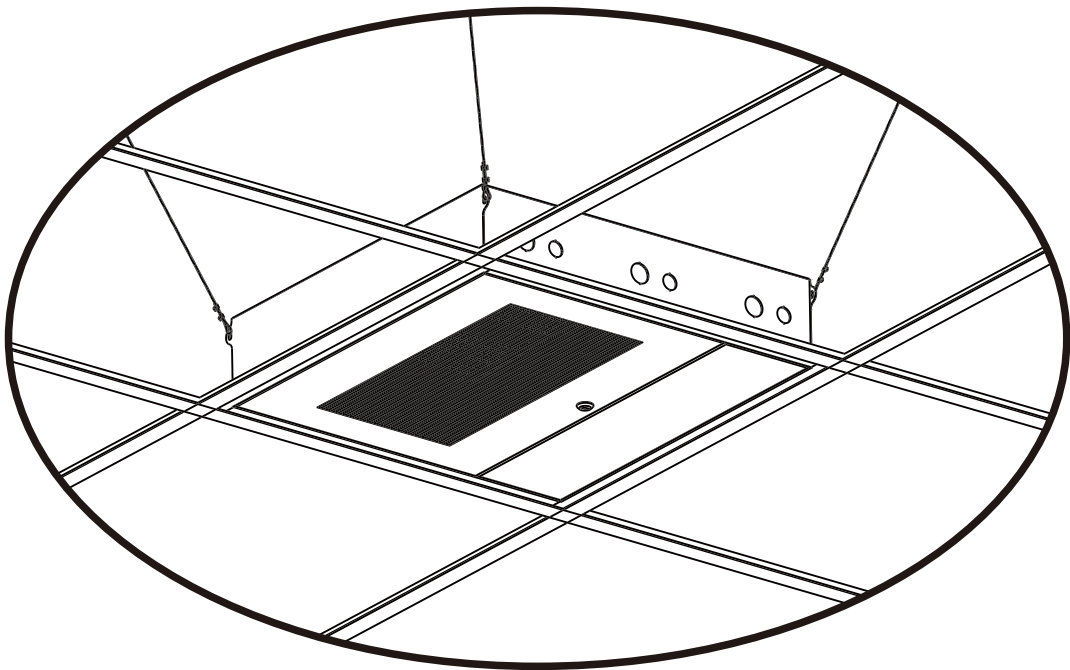


# **INSTALLATION GUIDE**

## **Ceiling Equipment Storage Enclosure for false ceiling installations**

TMO-OTH-005

Total weight of internal electronic machines: 50 lbs (23kg)



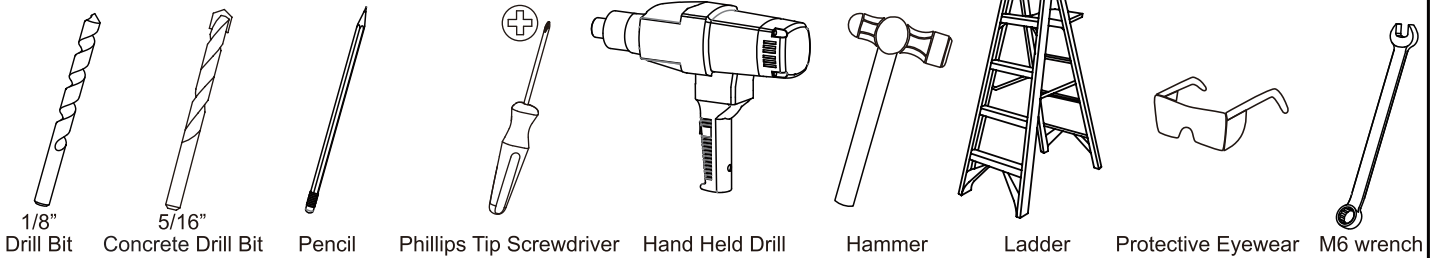
**Note:** Read entire instruction sheet before you start installation and assembly.

## ⚠ WARNING

- Be sure to read this entire manual thoroughly and you fully understand all the instructions and warning before attempting to begin your installation.
- This product should only be installed by someone who has a basic knowledge of building construction, in stallations and fully understands these instructions.
- Make sure that the supporting surface will safely support the combined load of the mount, the display and all attached hardware and components.
- The maximum load capacity is 50 pounds.
- Safety measures must be practiced at all times during the assembly of this product. Use proper safety equipment and tools for the assembly procedure to prevent personal injury.
- Always have someone assist you to lift and position your equipment.
- Tighten screws and bolts firmly, but do not over tighten. Over tightening can damage the items and greatly reduce their ability to hold. Please refer to suggested torque values where applicable in these instructions.
- The product supplier does not warrant against damage caused by the use of any product for purposes other than those for which it was designed or damage caused by unauthorized attachments or modifications, and is not responsible for any damages, claims, demands, suits, actions or causes of action of whatever kind resulting from, arising out of or in any manner relating to any such use, attachments or modifications.

## Tools Needed for Assembly

### Required Tools/Optional Tools



Before you begin, please verify that all components are included and undamaged. If any parts are missing or damaged, contact product supplier. Never proceed with missing or damaged parts! Lay out all components and make sure you identify that each one has a match in the diagram. Some of the parts included will not be used during installation. Do not proceed if you do not understand and identify all of the components.

## Table of Contents

Parts List .....	3
Product Features & Lid Removal .....	4
Ceiling Box Installation .....	5
Fastener Operation .....	6
Removing the Electrical Knockouts & Before Using Mounting Tray & Attaching Equipment to the Tray .....	7
Attaching the Mounting Tray .....	7
Securing the Lid .....	8

## ⚠ WARNING



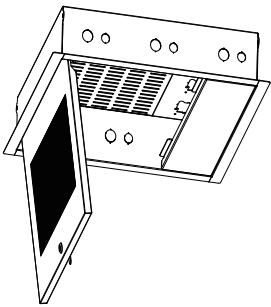
Bracket installation need two people together to complete.

Before you begin, make sure all parts shown are included with your product.  
Parts may appear slightly different than illustrated.

### Parts List

	Description	Qty.	Specification
<b>A</b>	Ceiling Box	1	see at product dimentions
<b>B</b>	Keys	2	
<b>C</b>	Cable Ties	4	W10xL600
<b>D</b>	Eye Lag Screws	4	M6x50
<b>E</b>	concrete anchor	4	M8x51
<b>F</b>	Fastener	8	
<b>G</b>	Braided Cable	4	φ1.5xL1600mm

**A**



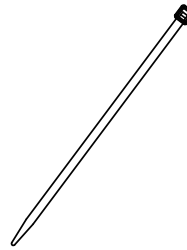
Ceiling Box

**B**



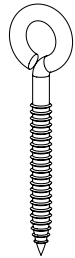
Keys

**C**



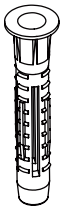
Cable Ties

**D**



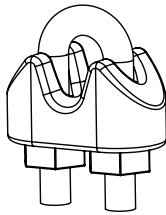
Eye Lag Screws

**E**



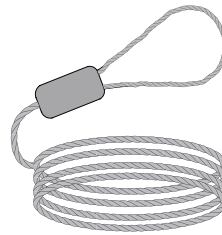
concrete anchor

**F**



Fastener

**G**



Braided Cable

## Product Features

### Top View

#### Top Knockouts

Multiple, single and dual-gang knockouts for signal and power (knockout covers with screw knife not shown)

#### Tile Replacement

Replaces standard 2' x 2' ceiling tile

#### Removable Equipment Tray

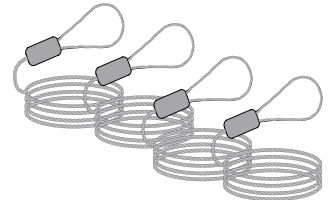
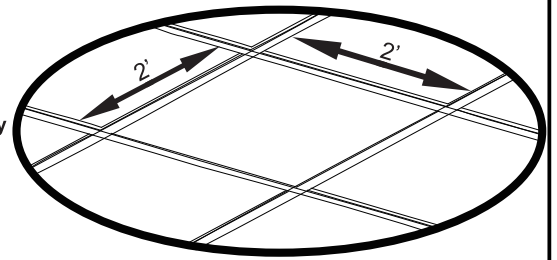
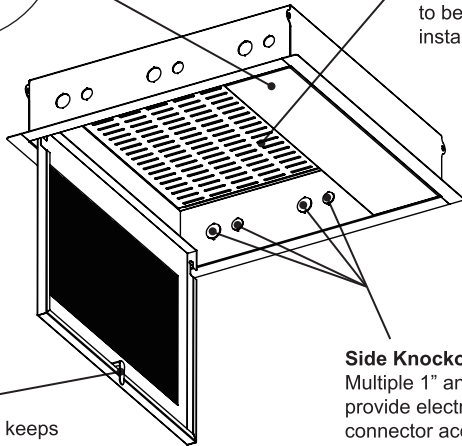
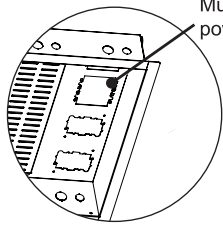
Tray allows A/V components to be pre-wired prior to the installation

#### Side Knockouts

Multiple 1" and 3/4" knockouts provide electrical conduit connector access

#### Security

Lockable access panel keeps A/V gear safe



## Warning

Please read these installation instructions thoroughly before installing your Premier Mounts product.

Please take a minute to familiarize yourself with the contents of the package and make sure you have all the parts and tools you need to safely complete the installation.

In addition, some steps of this installation may require two people to prevent personal injury and/or damage to your equipment. Please observe all warnings in the following installation procedure and utilize proper safety equipment at all times.

### Lid Removal

- 1 Unlock and open the lid with keys we provided(Figure 1).

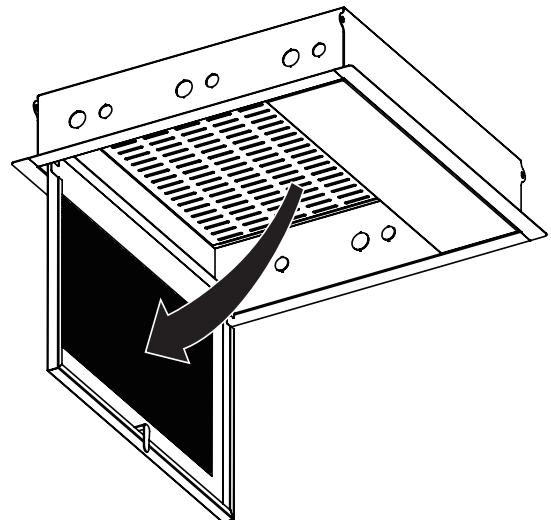
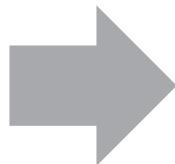


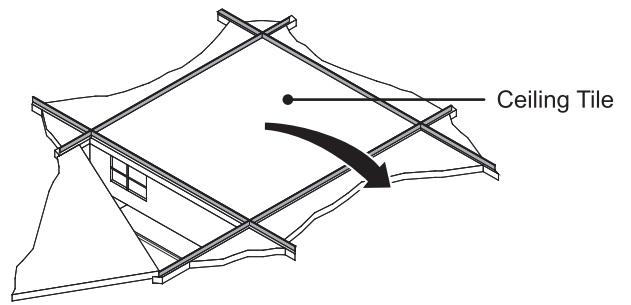
Figure 1

# Ceiling Box Installation

## Remove The Ceiling Tile

- 1 Determine the desired location .
- 2 Remove the ceiling tile where the ceiling box will be mounted.

Note: Store the ceiling tile in a safe location in the event that it needs to be reused.

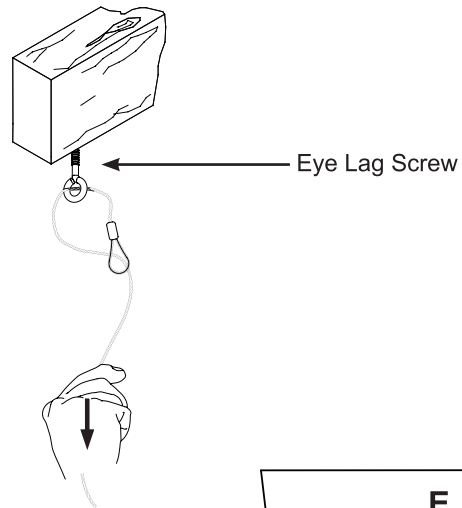


Note: The ceiling box must be secured using the Fastener and 0.06" braided cables (supplied).

## Wood Stud Ceiling

- 1 Determine the mounting location.
- 2 Use a 1/8" drill bit to pre-drill the mounting holes.
- 3 Secure the M6x50 (D) eye lag screws to the wood stud in the ceiling.
- 4 Run the open end of the 0.06" braided cable (G) through the hole in an eye lag screw.
- 5 Run the open end through the loop.
- 6 Pull the open end down until the 0.06" braided cable (G) tightens around the eye lag screw.
- 7 Repeat steps 2-6 for the remaining three mounting points.

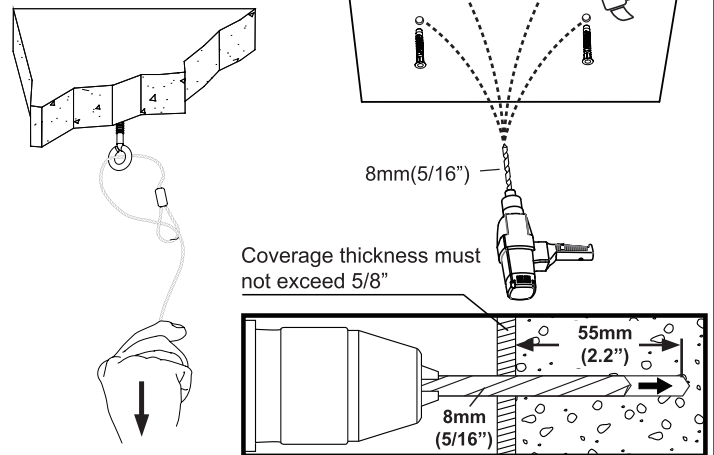
### Wood Stud



## Concrete Ceiling

- 1 Determine the mounting location.
- 2 Use a 5/16" concrete drill bit to drill the mounting holes.
- 3 Place the concrete anchor(E) into the predrilled holes and gently tap into place using a rubber mallet or hammer, then secure the M6x50 (D) eye lag screws to the concrete anchor(E) in the ceiling.
- 4 Run the open end 0.06" braided cable (G) through the hole in an eye anchor bolt.
- 5 Run the open end through the loop.
- 6 Pull the open end down until the braided cable tightens around the eye anchor bolt.
- 7 Repeat steps 2-6 for the remaining three mounting points.

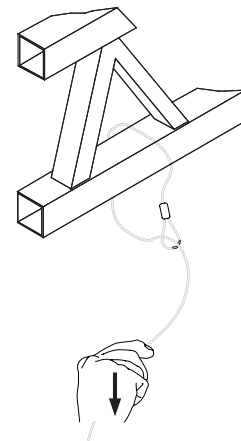
### Solid Surface



## Truss Ceiling

- 1 Loop the 0.06" braided cable (G) around the truss.
- 2 Run the open end 0.06" braided cable through the loop.
- 3 Pull the open end down until the 0.06" braided cable tightens around the truss.
- 4 Repeat steps 1-3 for the remaining three mounting points.

### Ceiling Truss

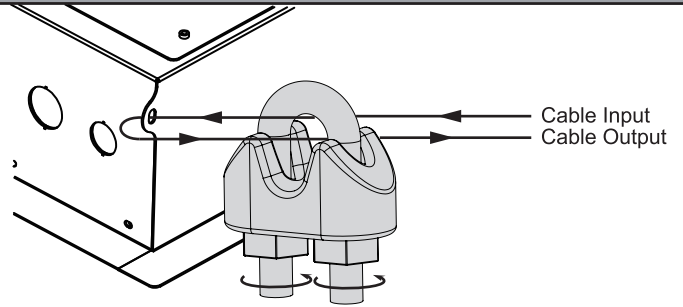


## Fastener Operation

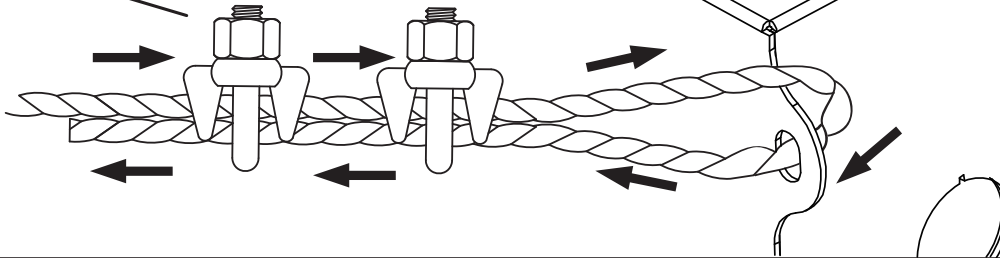
**!** It is recommended that the following steps be performed by two people.

### Step 1

Please follow the step 1 to install the fasteners Cable Kit.



Using a M6 wrench to lock



### Step 2

- 1 Lower the ceiling box into the exposed ceiling framework.

**!** Make sure the ceiling box is seated completely in the ceiling framework before releasing it.

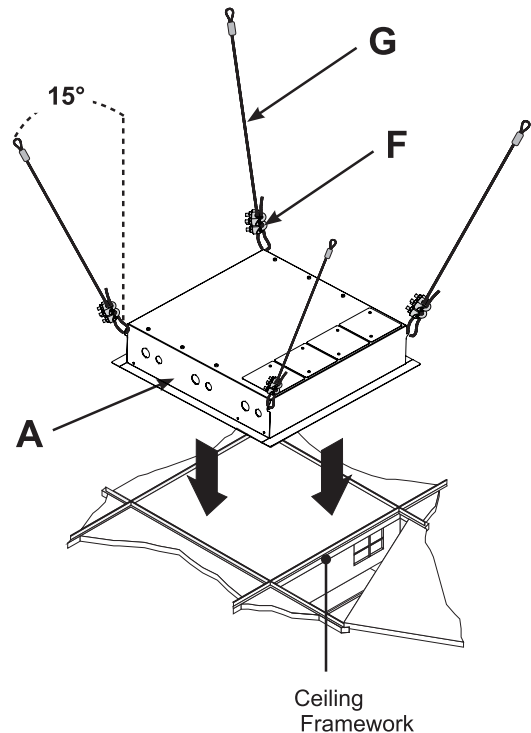
- 2 Adjust the 0.06" braided cable so that the cable forms a 15° angle away from the corner of the ceiling box.

Note: When adjusting the tension of the weight-bearing side of the fastener, the 0.06" braided cable must be pulled through the fastener until the desired tension is attained. Do not overtighten.

- 3 When you have the desired tension, pull the 0.06" braided cable through the other side of the fastener.

Note: Once the tension has been adjusted, be sure that there is a minimum of 6" of excess 0.06" braided cable on the non-weight bearing side of the fastener.

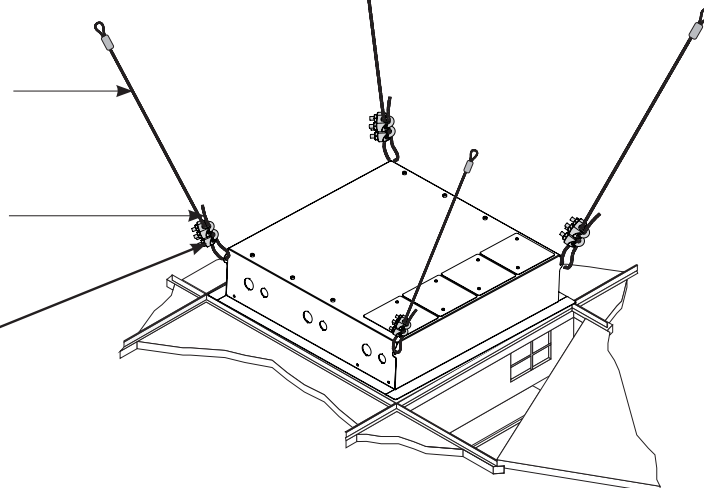
- 4 Use cable cutters to remove any remaining 0.06" braided cable (optional).



0.06" Braided Cable To Ceiling Attachment

6" Excess 0.06" Braided Cable

Fastener

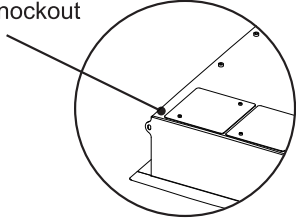


## Removing the Electrical Knockouts (optional)

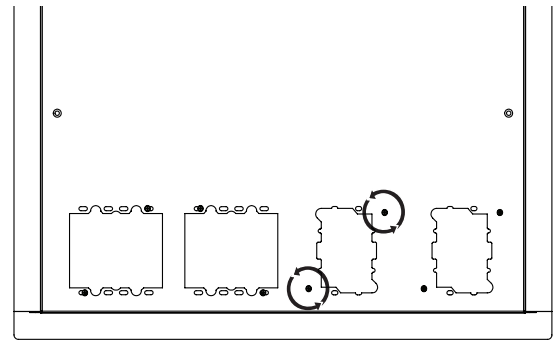
- ① Remove screws from around the desired electrical knockouts (Figure 2) to detach their covers.
- ② Remove the knockout covers from the top . Figure 3

Note: If you no longer want to use a knockout, re-attach its cover to prevent excessive airflow into the ceiling.

**Figure 3** Detach the knockout cover



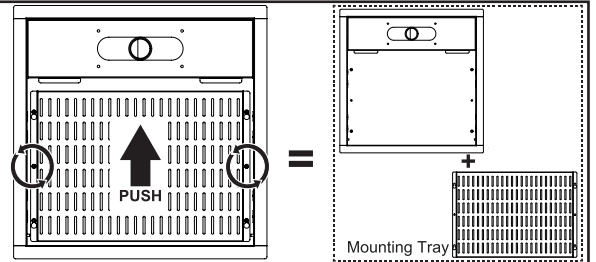
**Figure 2**



1- and 2-gang electrical knockouts inside

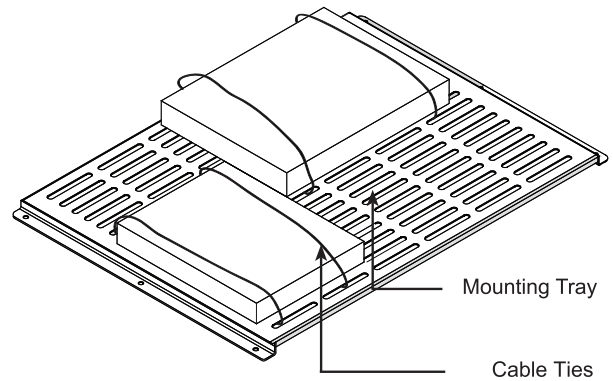
## Before Using Mounting Tray

Note: Before using the Mounting Tray, according to the right pictures, please remove the middle two screws with cross screwdriver first, then detach the Mounting Tray according to the direction of the arrow.



## Attaching Equipment to the Tray

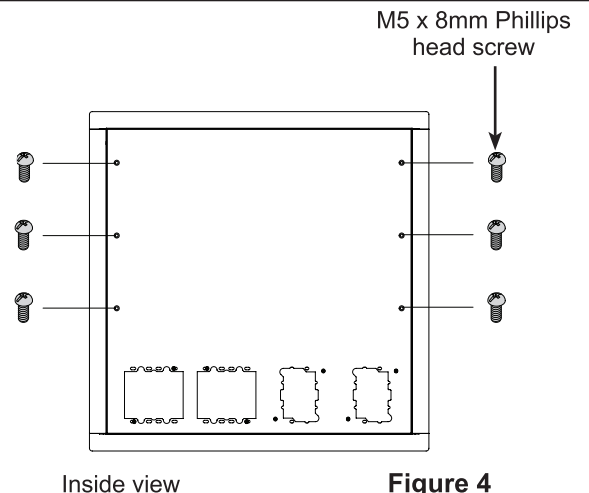
- ① Place your electronic components onto the mounting tray.
- ② Align the electronic components so that the weight is distributed as evenly as possible.
- ③ Run the Cable Ties through the mounting slots on the tray, underneath the mounting tray and up through the mounting slot on the other side of the electronic component.
- ④ Tighten the Cable Ties down and cut off any excess Cable Ties.



## Attaching the Mounting Tray to the SM-02

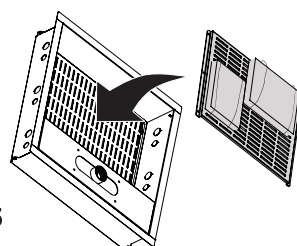
- ① Before leaving the factory, we have six M5x8mm Phillips head screws . Figure 4
- ② Place the mounting tray into the middle section . Figure 5
- ③ Hook the mounting tray onto the heads of the M5x8mm Phillips head screws . Figure 6
- ④ Insert two M5 x 8mm Phillips head screws you removed in advance into the middle mounting holes of the mounting tray.
- ⑤ Use a Phillips tip screwdriver to tighten all six (6) screws.

**!** Do not overtighten the mounting screws.

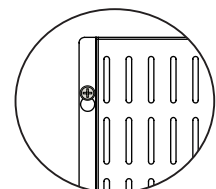


Inside view

**Figure 4**



**Figure 5**

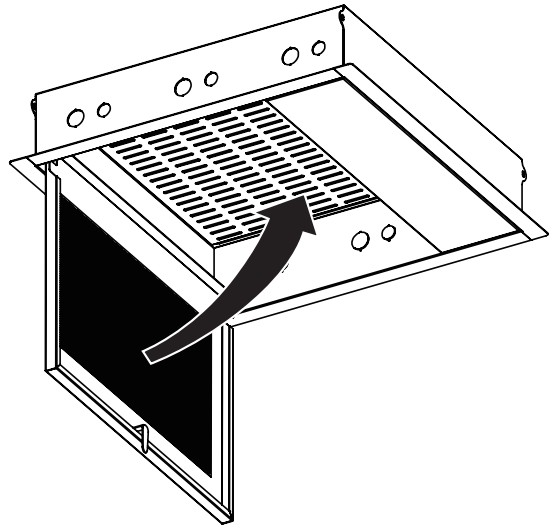


**Figure 6**

## Securing the Lid

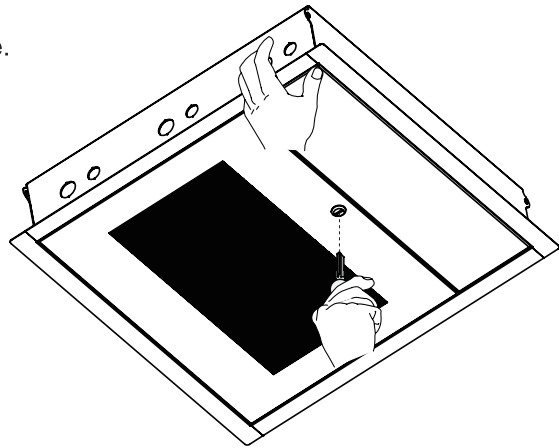
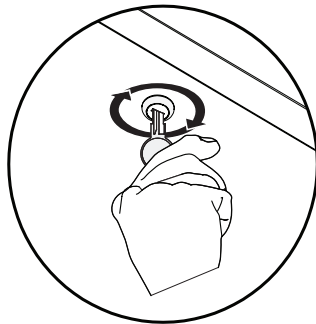
### Step 1

- ① Re-attach the ceiling box lid to the ceiling box.
- ② Swing the ceiling box lid up into place.



### Step 2

- ① Hold the lid in place.
- ② Use a key (supplied) to lock the lid in place.
- ③ Do not release the ceiling box lid until you are sure that the lock has been engaged and the lid is secure.



TMO-OTH-005

PRODUCT DIMENSIONS

