

INSTALLATION INSTUACTION

TMO-POS-003

Components



A

Philips pan
head screw
M6*16(x1)



B

Non-slip nuts
M6(x1)



C

Plastic Washer
M6(x2)



D

Metal Washer
M6(x1)



E

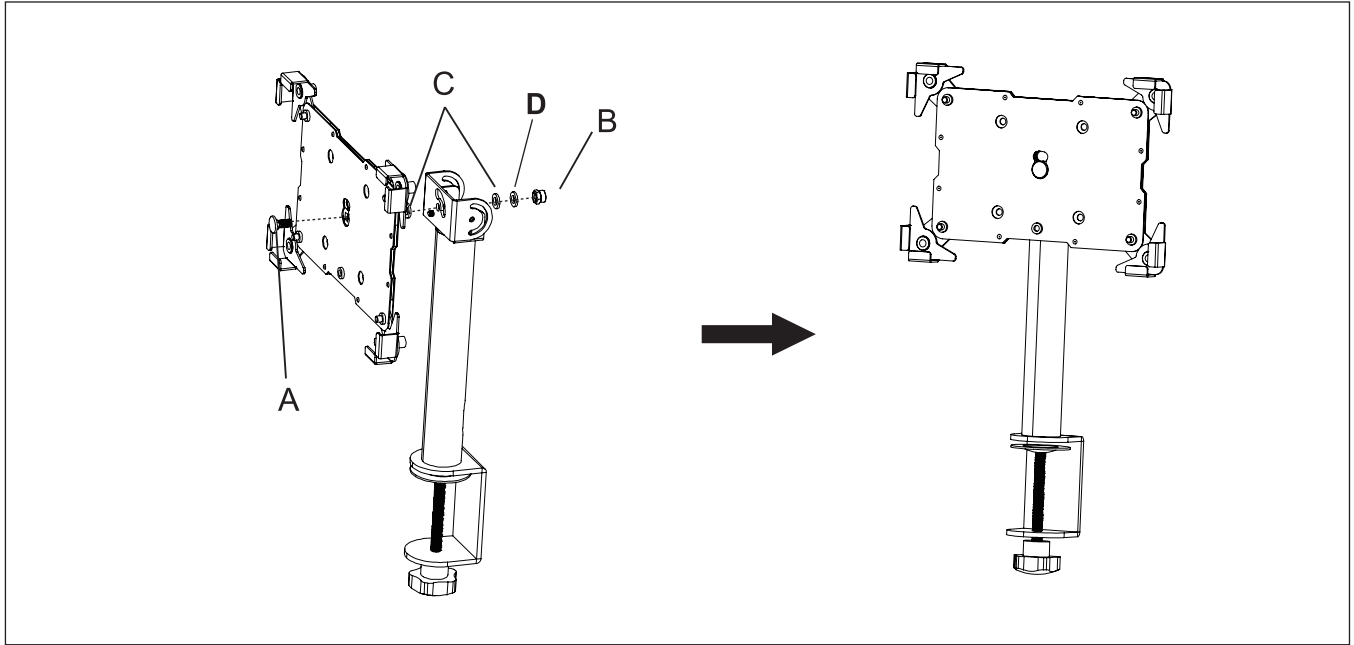
Hexagon
wrech
M3(x1)



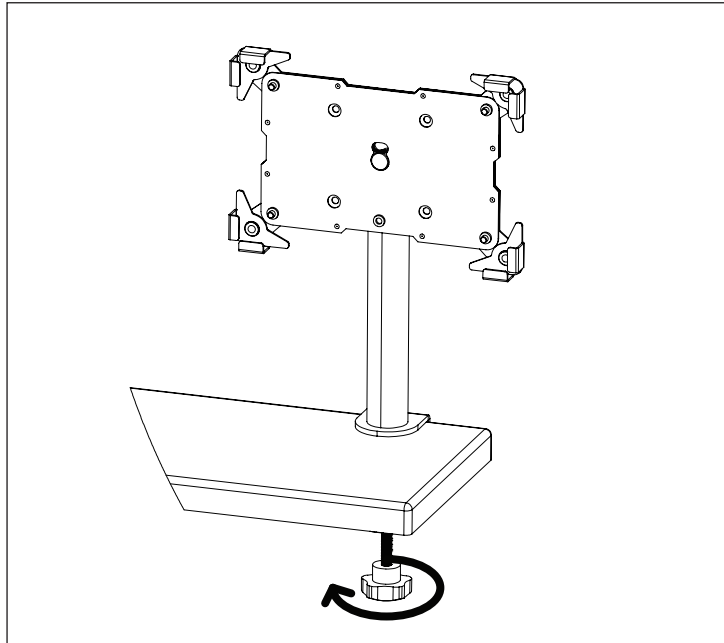
F

Open end wrench
#10(x1)

STEP1: Attach the case to the bracket



STEP2: Clamp to the table



STEP3: Clamp the tablet device to the stand

