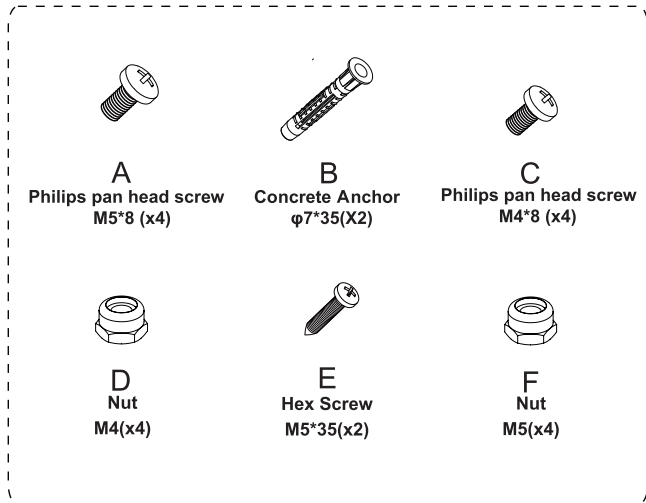


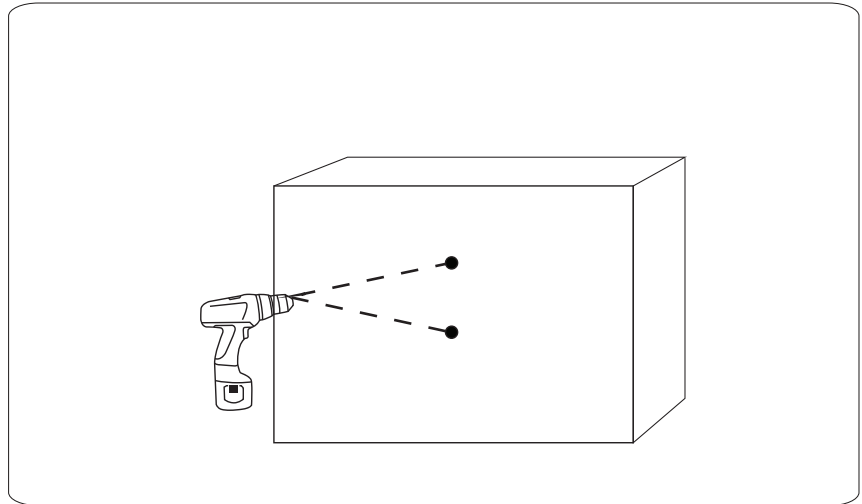
# INSTALLATION INSTRUCTION

TMO-TAB-010

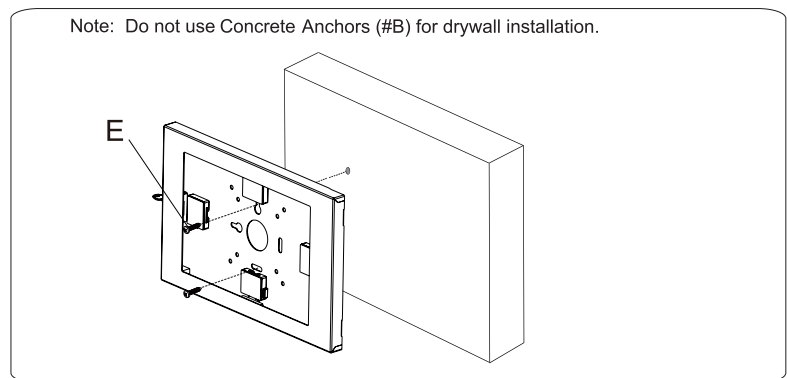
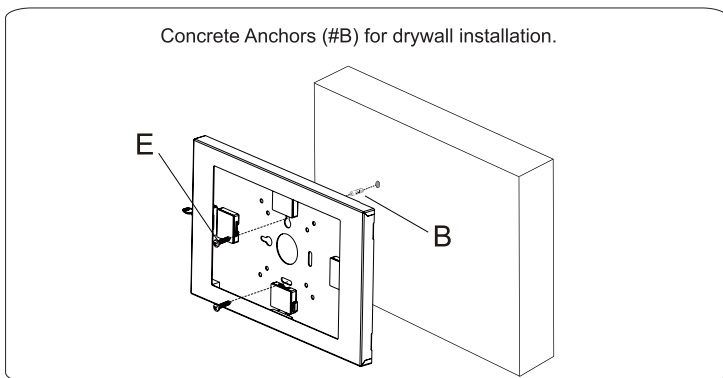
## Components:



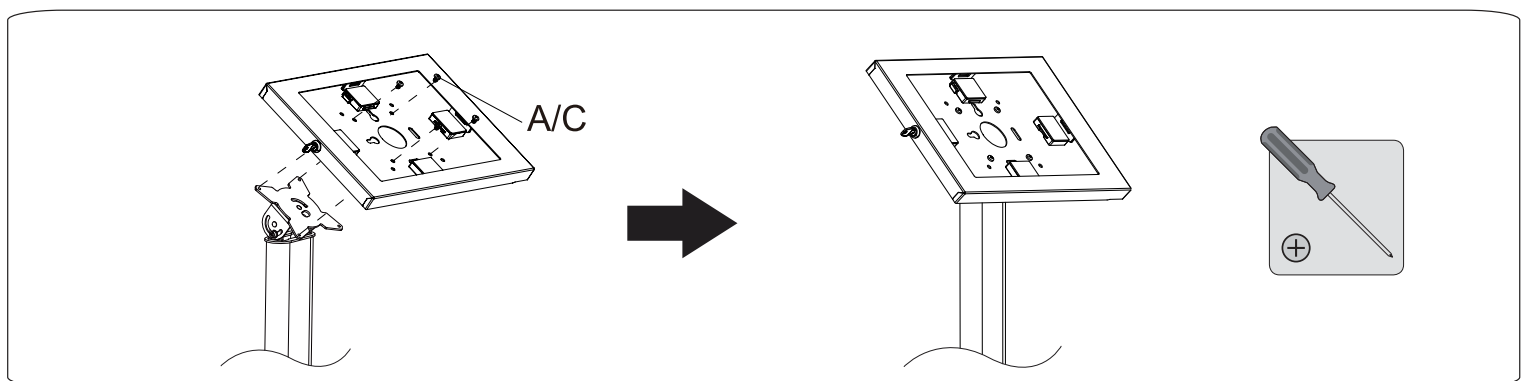
**Step1:** Drill holes according to the enclosure in the desired location.



**Step2:** Fix the enclosure to the wall with bolts(E).



**Step3:** Attached the enclosure to the VESA stand with screw (A/C) if needed.



**Step4:** Open the enclosure, place the tablet and center it by adjusting 4 scales. Close the enclosure.

