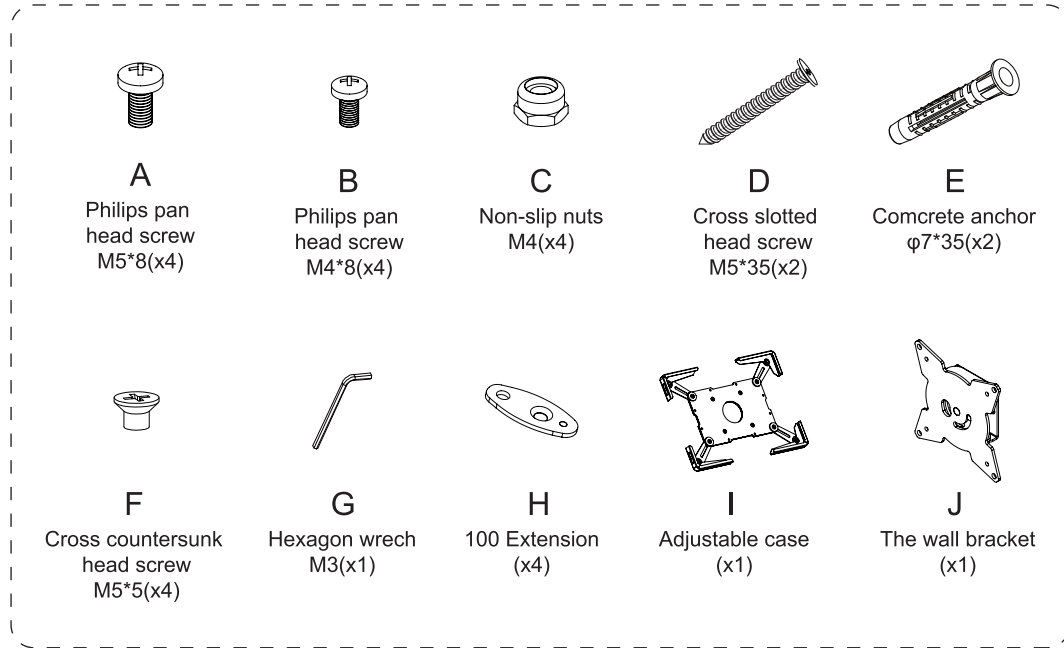


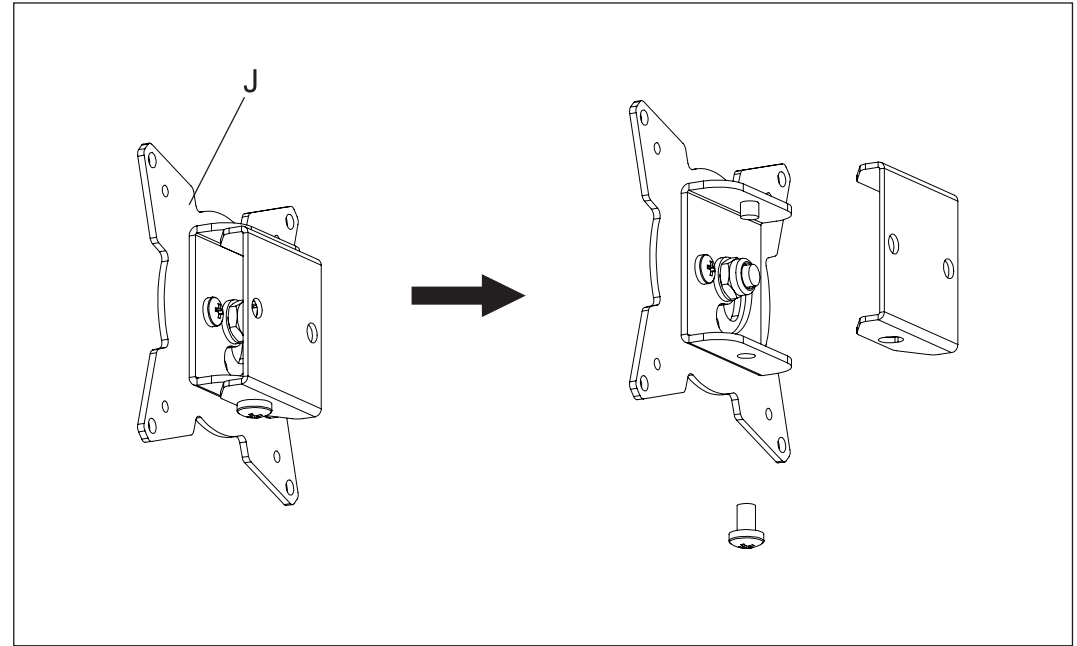
INSTALLATION INSTRUCTION

TMO-TAB-011

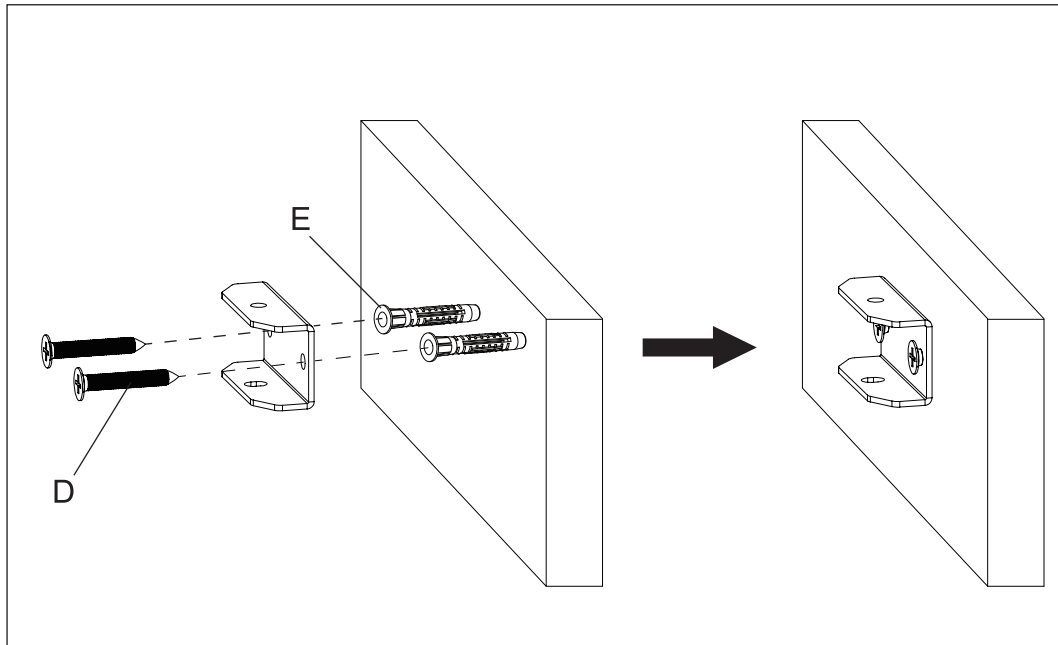
Components



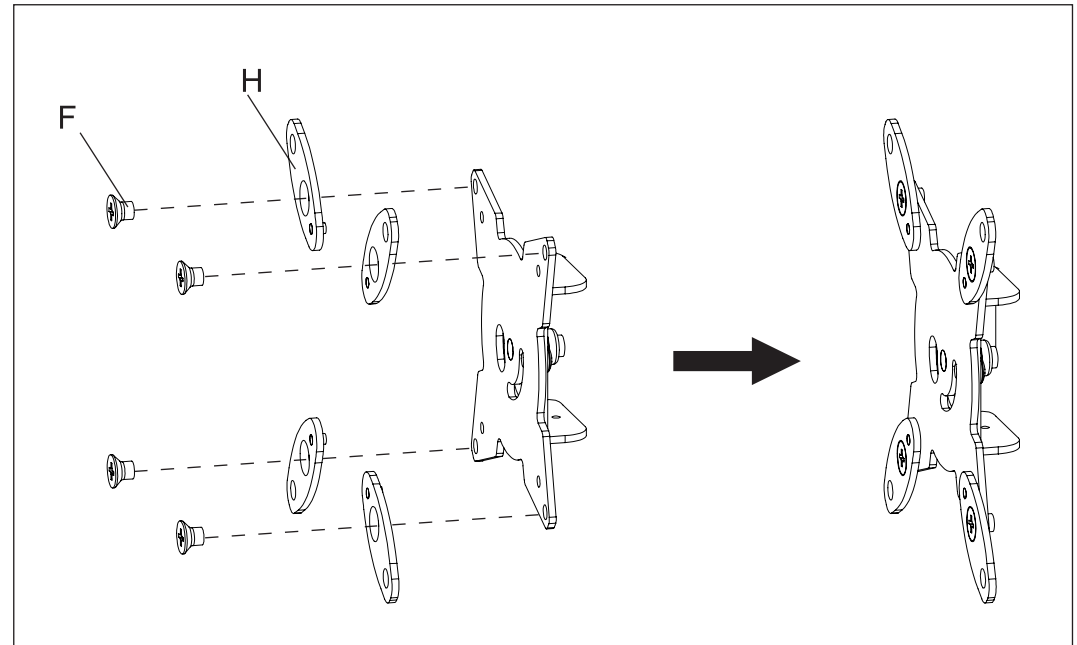
STEP1: Take apart the wall panel.



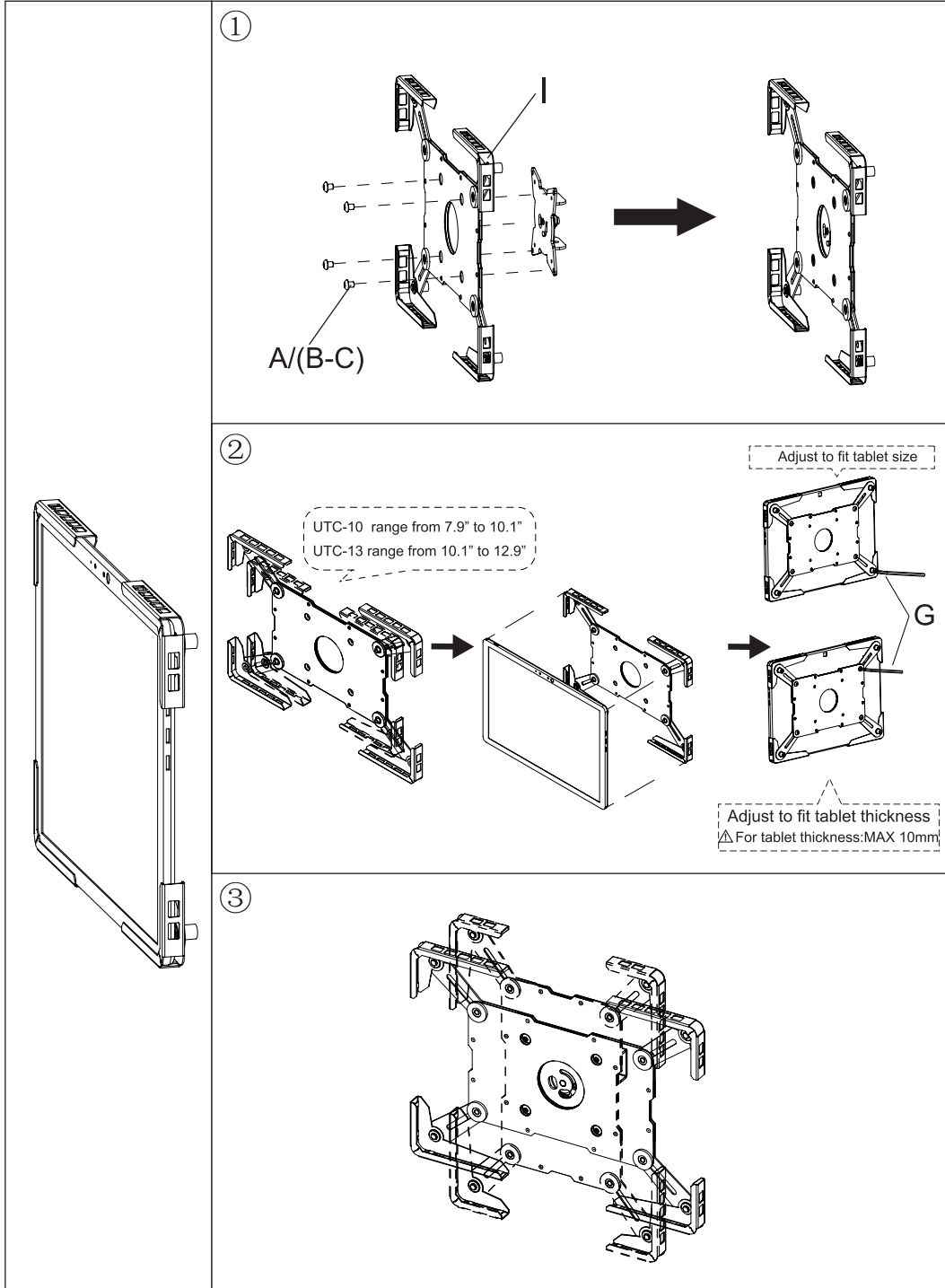
STEP2: Install the wall panel to the wall.



STEP3: Optional to extend VESA 100x100 mm.



STEP4: Mount the tablet.



STEP5: Install tablet to wall panel.

