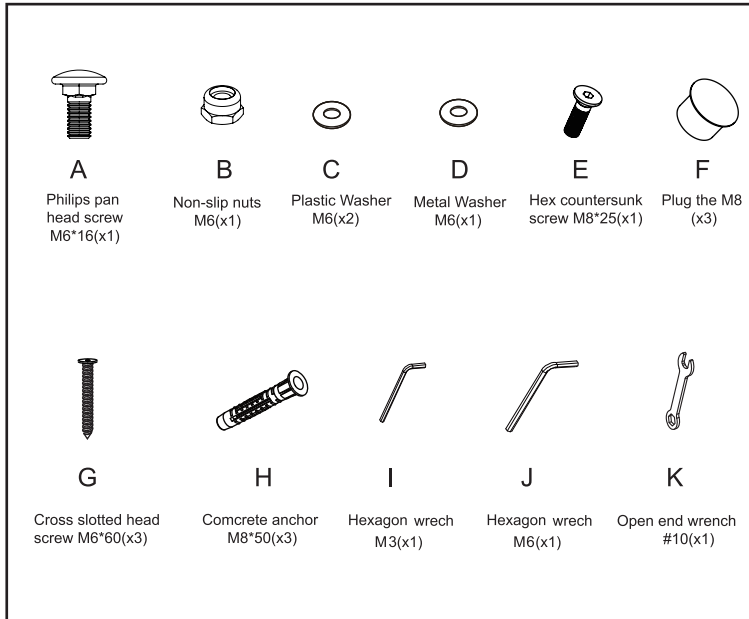


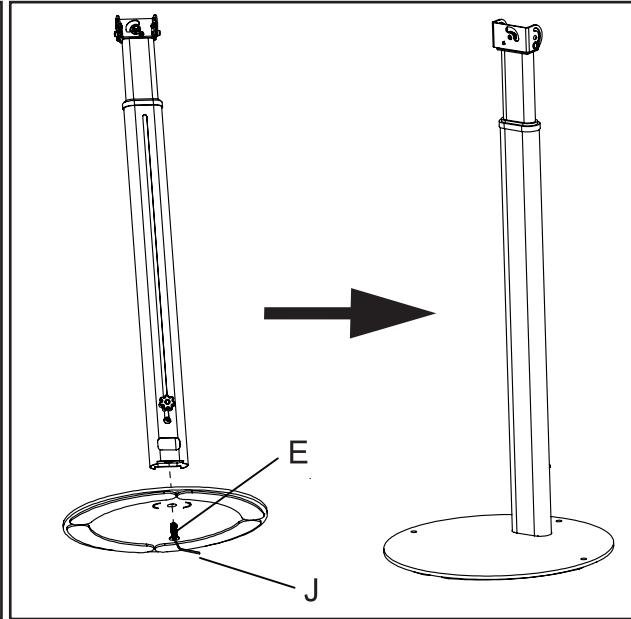
# INSTALLATION INSTRUCTION

TMO-TAB-013

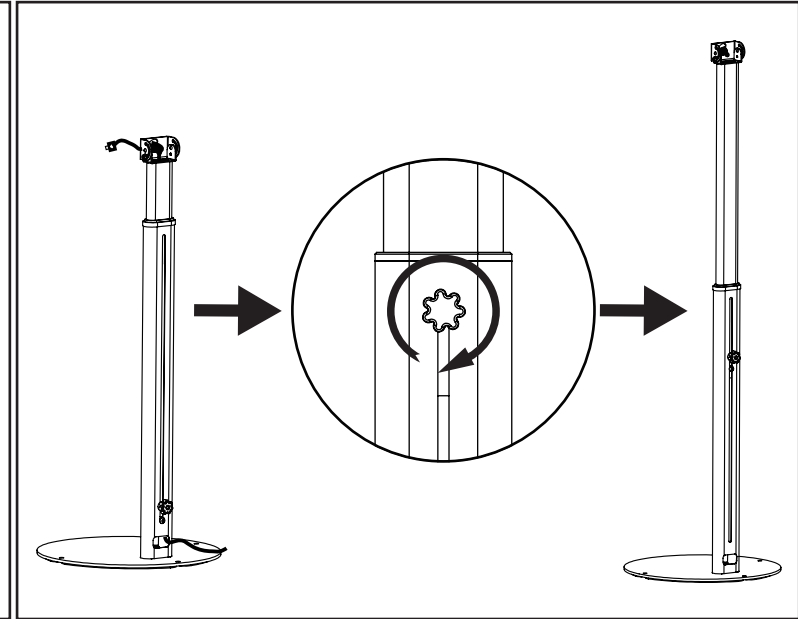
## Components :



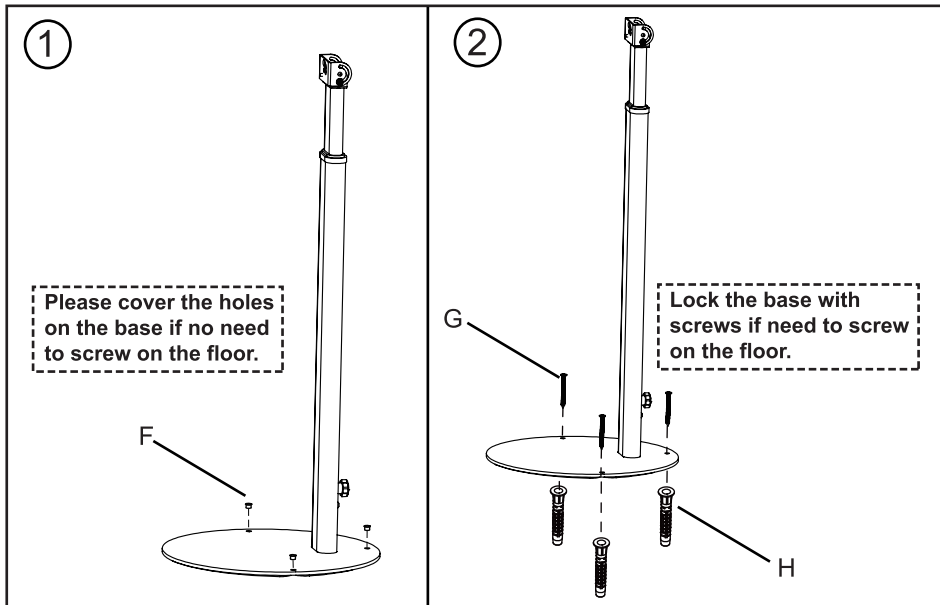
## STEP 1: Lock the stand to the base .



## STEP 2: Adjust to the required height and manage the cable.



## STEP 3: Two fixing ways.



## STEP 4: Mount the tablet.

