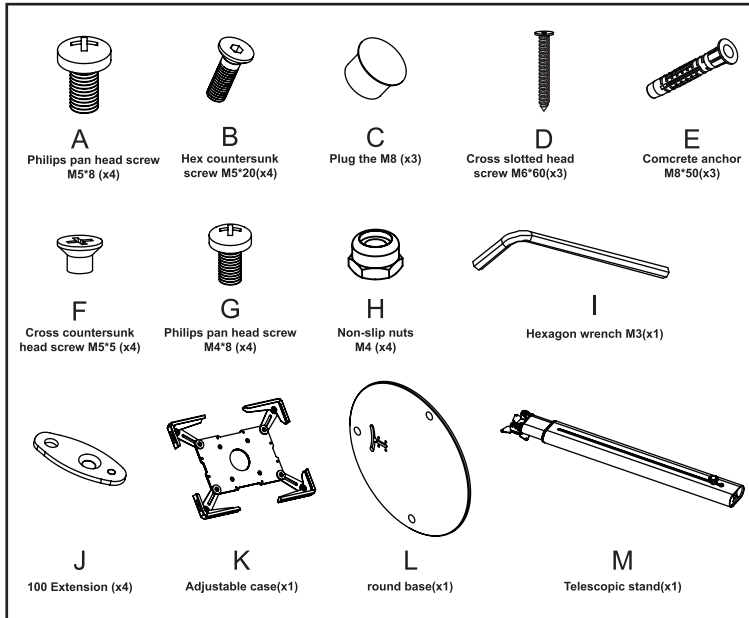


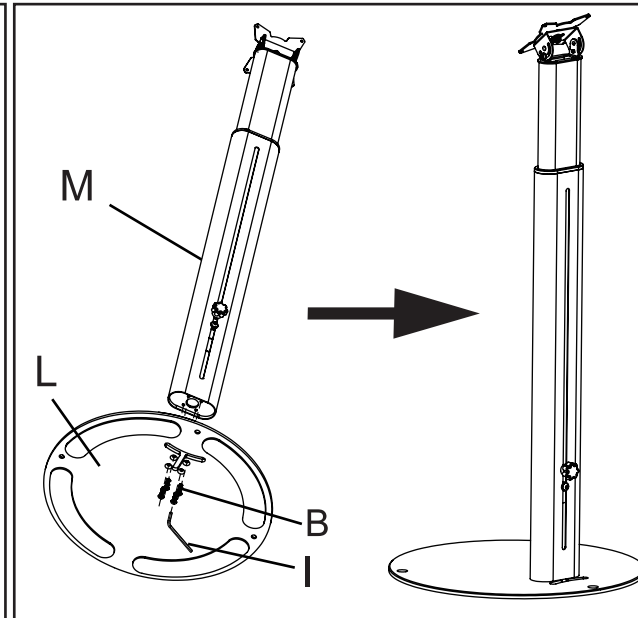
# INSTALLATION INSTRUCTION

TMO-TAB-014

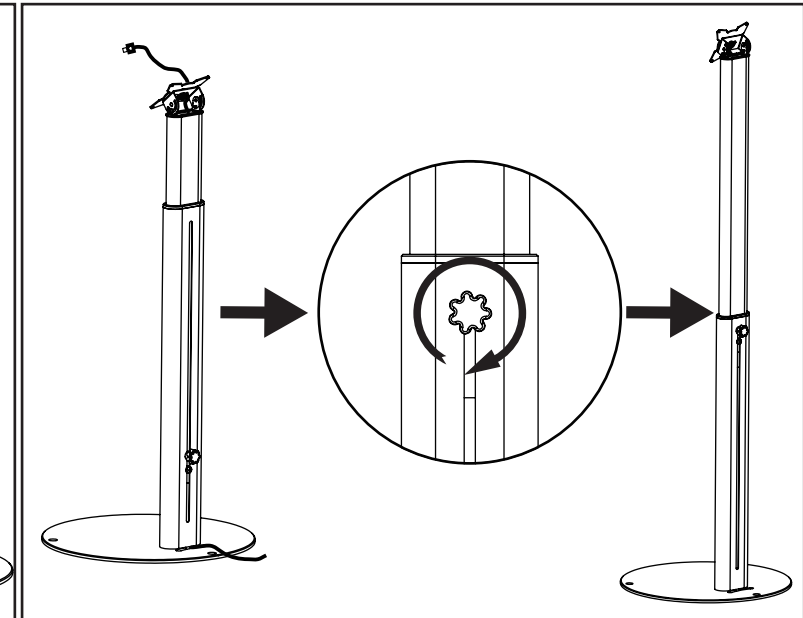
## Components :



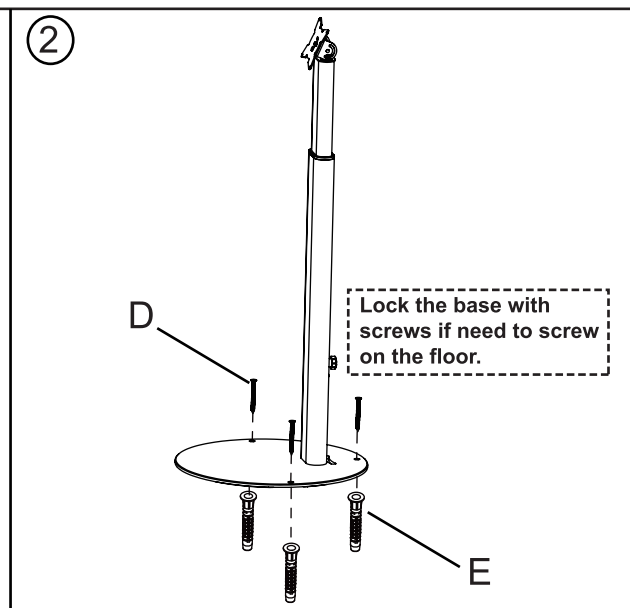
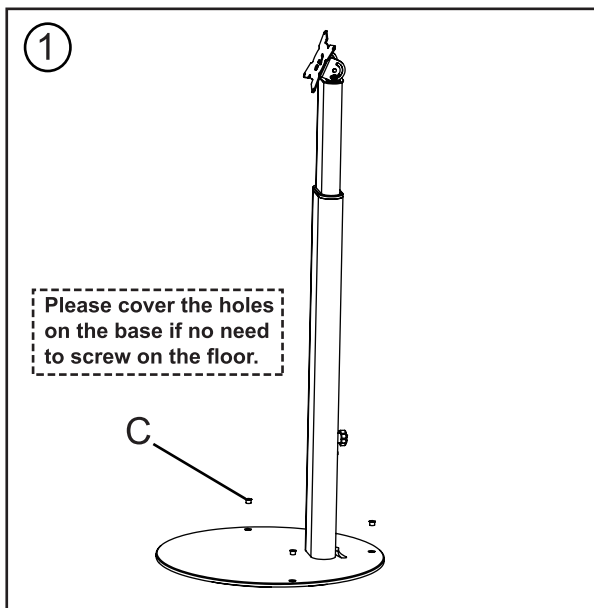
## STEP 1: Lock the stand to the base .



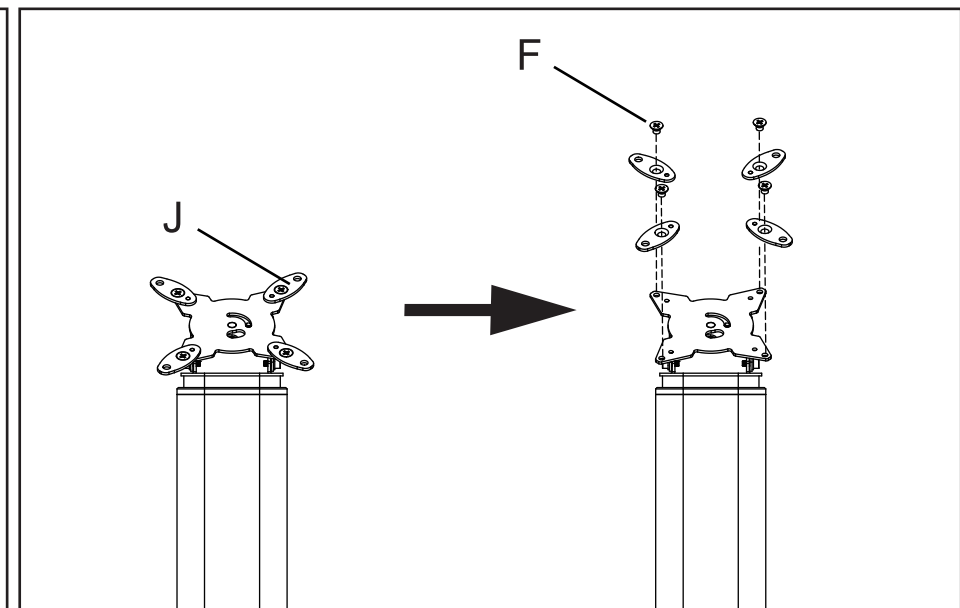
## STEP 2: Adjust to the required height and manage the cable.



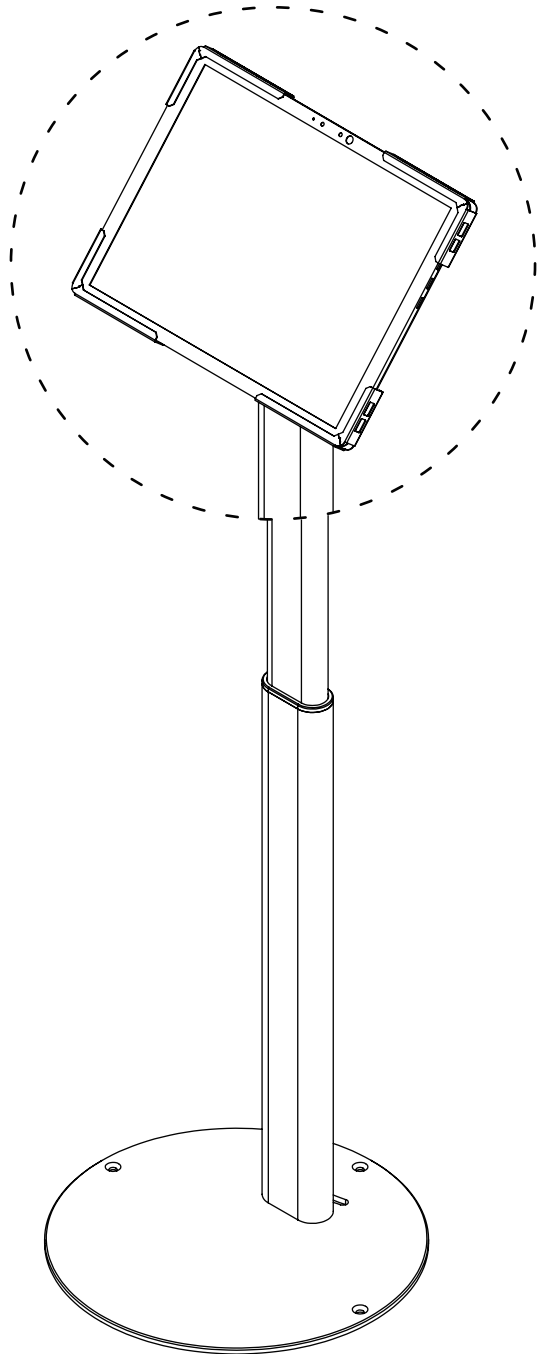
## STEP 3: Two fixing ways.



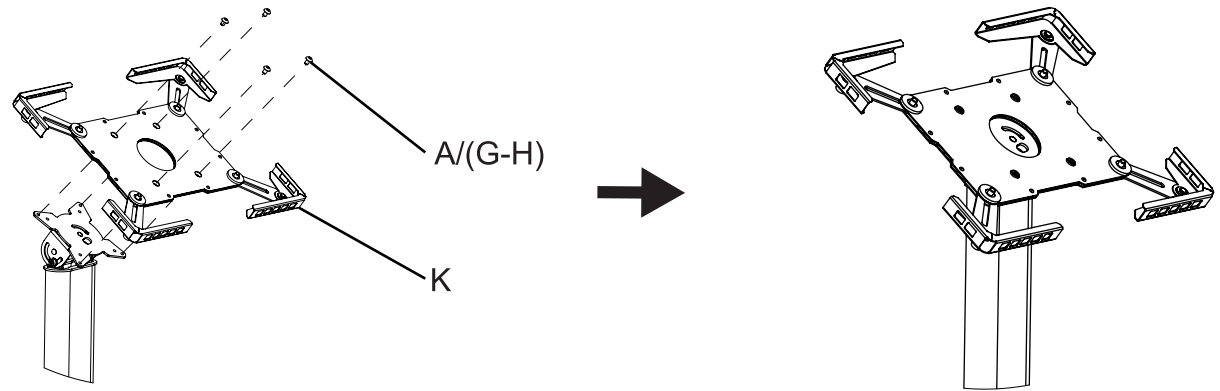
## STEP 4: Optional to extend VESA 100x100 mm.



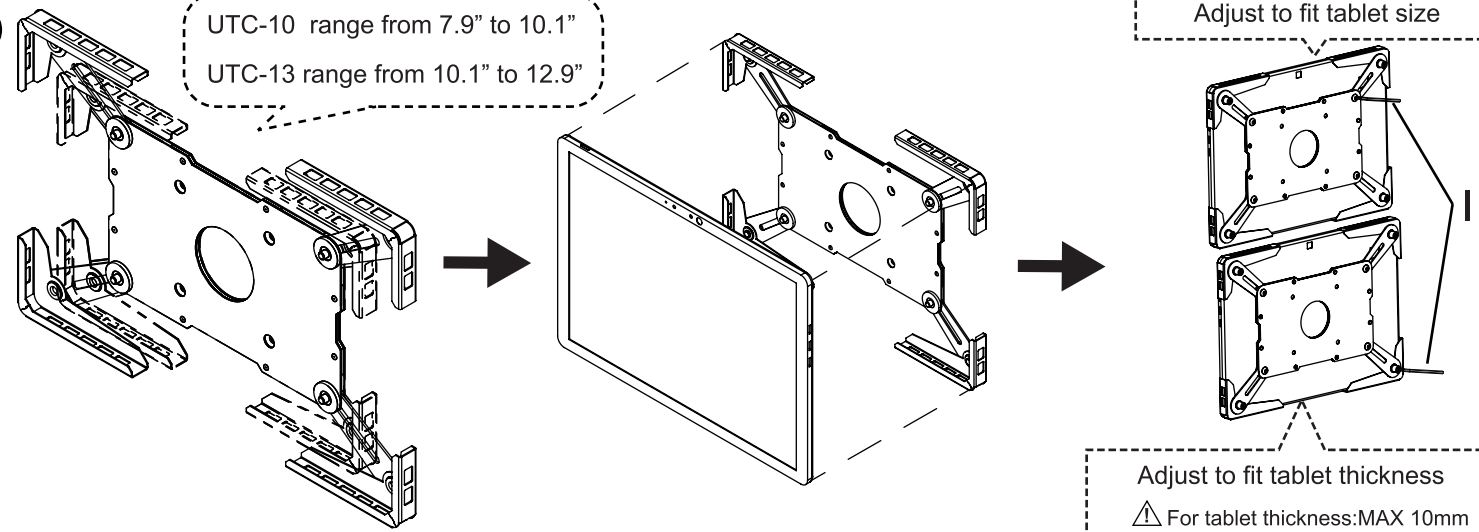
# STEP 5: Mount the tablet.



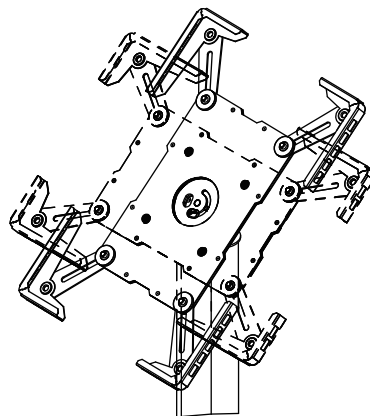
①



②



③



④

