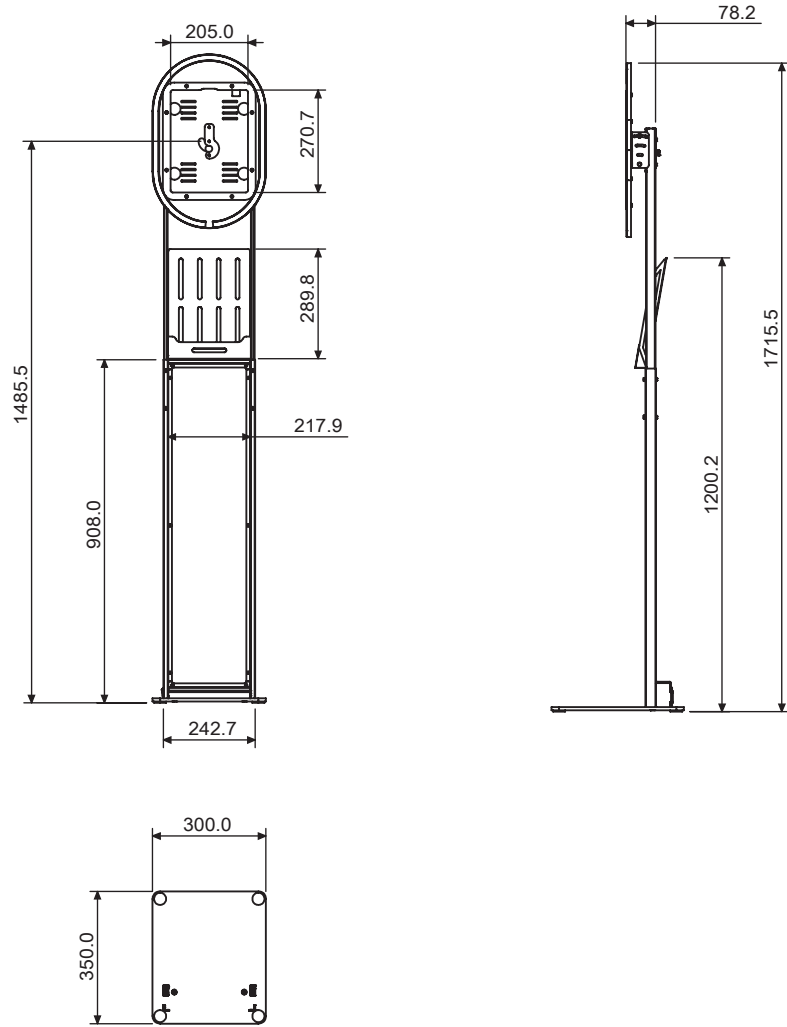
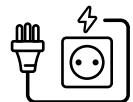
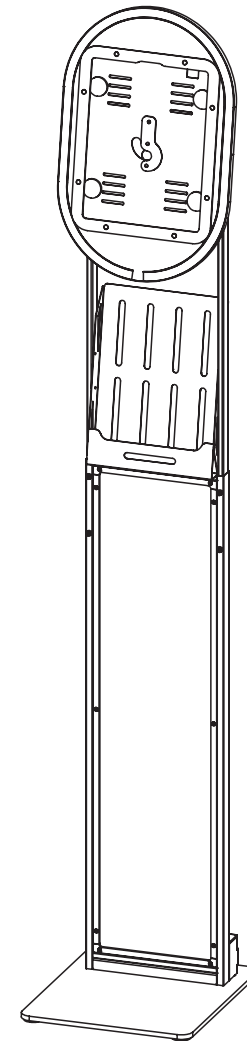


TMO-TAB-025
PRODUCT DIMENSIONS



Installation Guide

TMO-TAB-025



IMPORTANT

BEFORE installation, use the checklist to verify that all components are included. If any parts are missing or appear defective, contact our customer service team for replacement. Ensure that the screen is compatible with the unit BEFORE attaching to the mounting bracket according to VESA patterns and the supported weight of the screen. Specialist assistance may be required for installation.

CAUTION

Please read the entire instructions and safety guidelines prior to assembly. Failure to do so may cause injury, product damage, and additional material damage.

Always wear suitable personal protective equipment and use the correct tools to perform the installation safely.

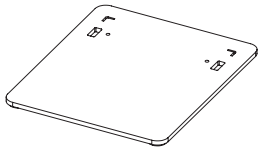
DO NOT exceed the maximum permissible weight of the unit, make non-factory approved modifications, use the unit outside of its factory approved purpose, or OVERTIGHTEN any assembly screws used to join components.

Use only the factory provided mounting screws as indicated in the instructions.

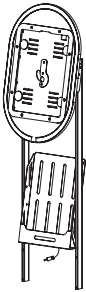
Ensure the construction of attaching surfaces has structural integrity capable of supporting the total weight of the unit and all additional equipment and components. In addition, pay attention to the working environment around the unit, which may cause accidental damage, such as (but not limited to) foot traffic, shelves with objects that could fall and insufficient working space. The user must exercise due diligence.

Keep children away from the assembly hardware. Small parts may cause choking if swallowed.

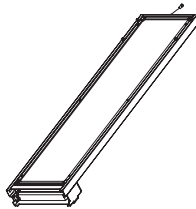
Product component



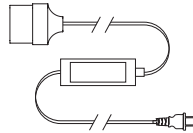
AA
(x1)



BB
(x1)

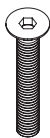


CC
(x1)



DD
(x1)

Assembling Screws



A
Hexagonal countersunk
screw M6x40
(x2)



B
Hexagonal socket head
screw M5x30 (half tooth)
(x4)

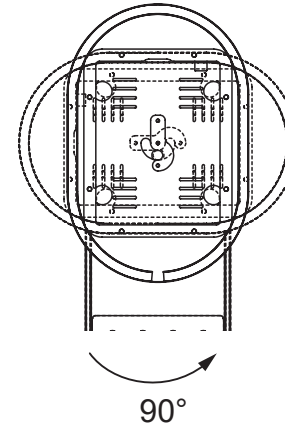


C
L-shaped hex wrench S4
(x1)

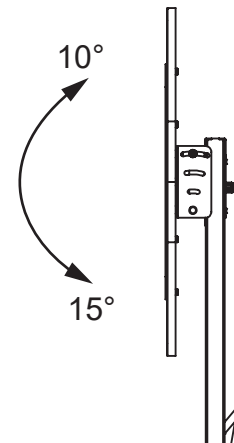


D
Plum blossom with
pillar wrench T20
(x1)

STEP 7 Adjustable horizontal tilt angle

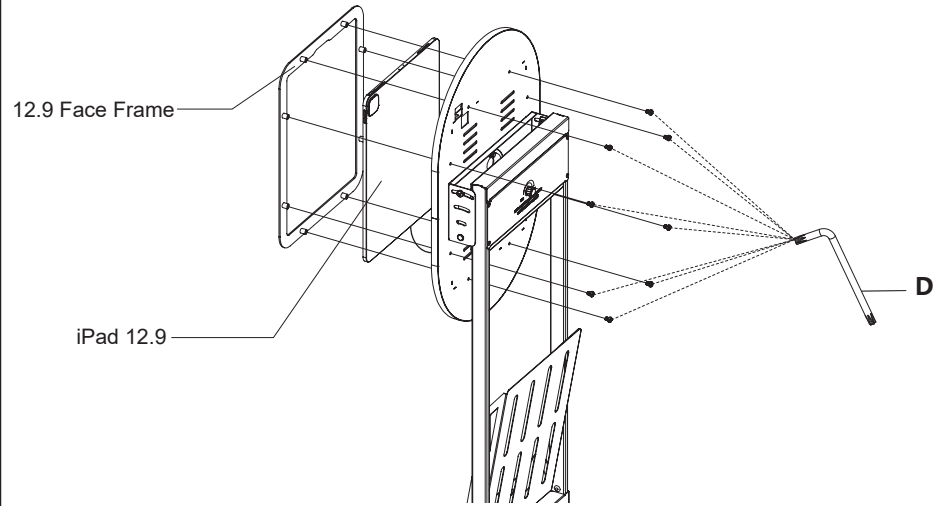


STEP 8 Adjustable front and rear tilt angle

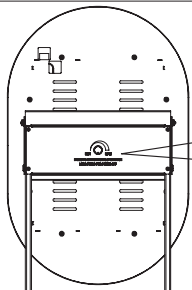
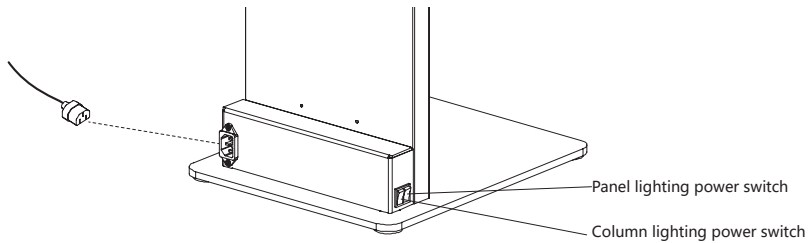


5.2 Installing a tablet computer

Connect the charging cable to the tablet and install the frame

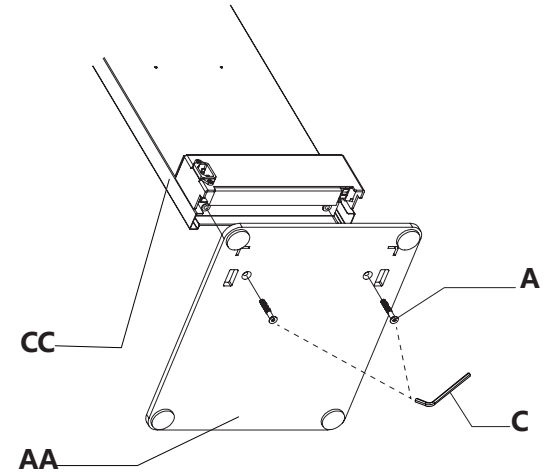


STEP 6 Connect the power cord and light adjustment



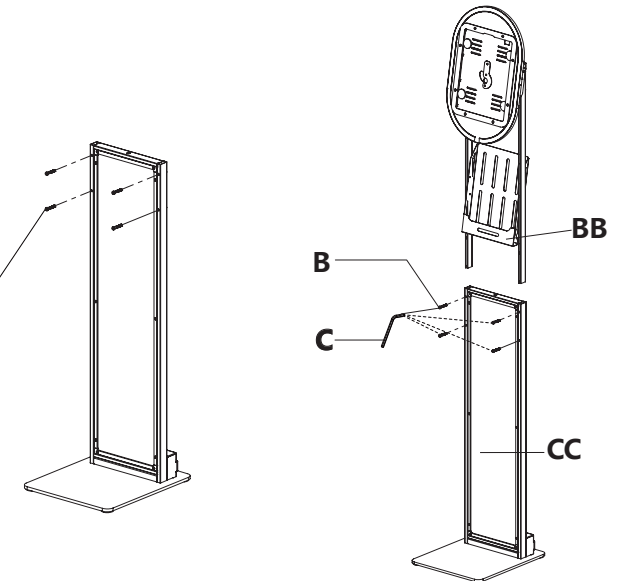
- Press to turn on the lights and switch modes
- Power on long press for power off
- Rotate the knob to adjust the brightness and flashing frequency of the light
- Mode 1- Constant Brightness - Adjustable Brightness
- Mode 2- Flashing - Burst Flashing - Adjustable Speed
- Mode 3- Gradient - Breathing - Adjustable Speed

STEP 1 Connect the base plate (AA) and lower column (CC)

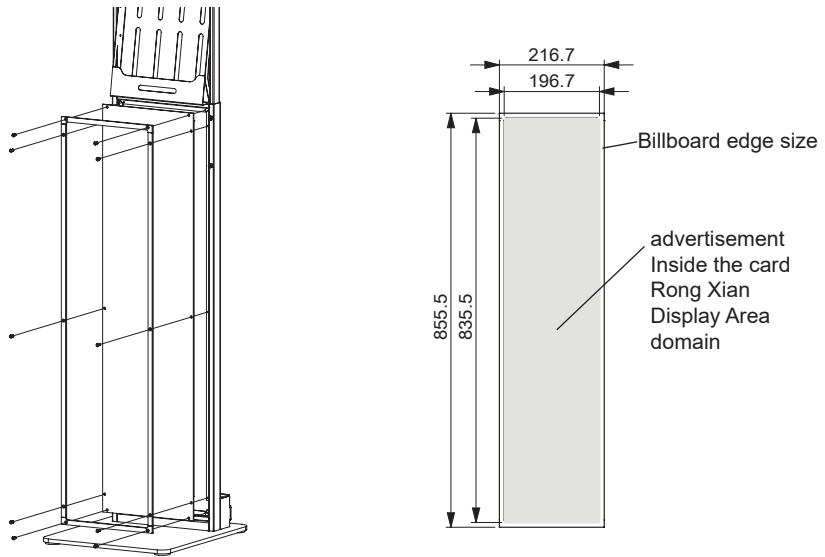


STEP 2 Connect the upper column (BB) and lower column (CC)

Remove the screws from the pillar first

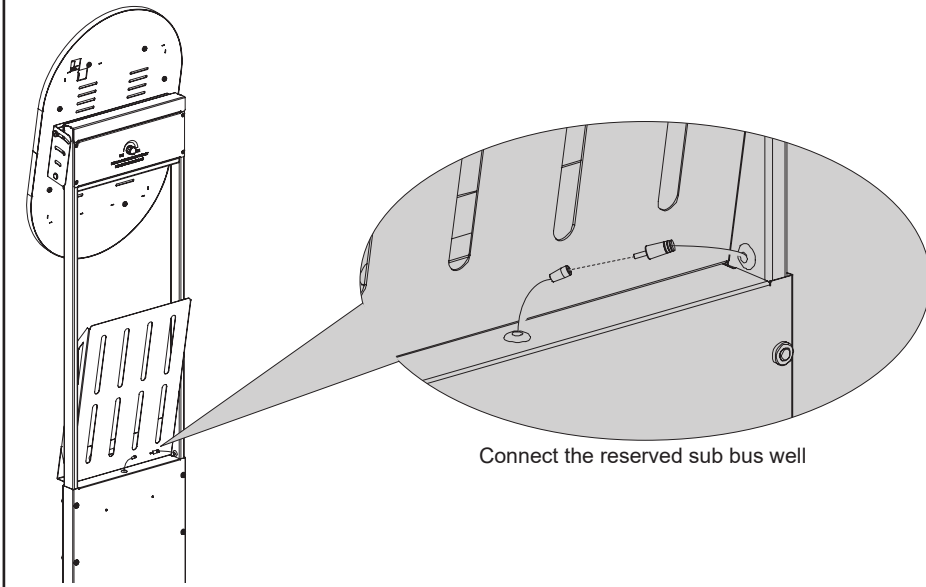


STEP3 Billboard installation



STEP4 Cable management

4.1 Upper and lower column circuit connection

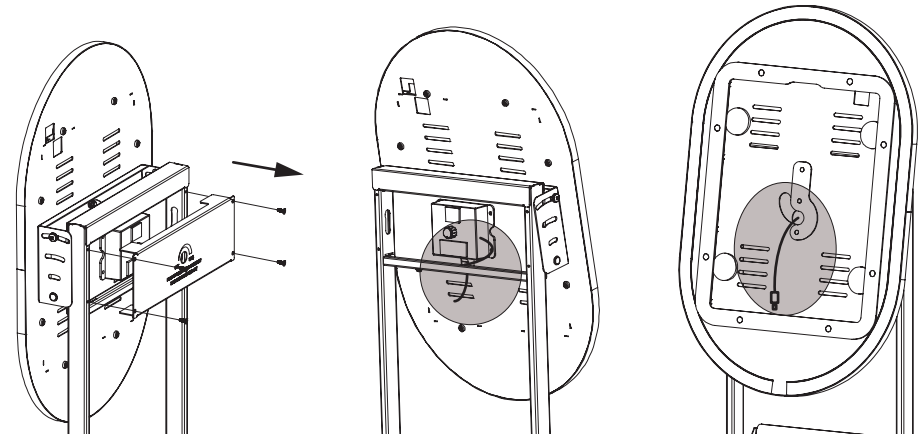


4.2 Tablet charging cable management

1.Remove the back cover

2.Connect the USB end of the tablet charging cable to the power supply interface and thread it out of the outlet hole

3.Install the back cover, then thread the charging cable out of the outlet hole and place it in the position shown in the picture



STEP5 Installing a tablet computer

5.1 Use wrench D to remove the screw at the position shown in the diagram and remove the front frame

