

# INSTALLTION INSTRUCTION

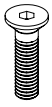
TMO-TAB-033

## Components:



A

Cross slotted head screw M5\*30(x3)



B

Hexagon socket countersunk head screw M4\*16(x4)



C

Plug the M6(x1)



D

Magnetic suction ring(x1)



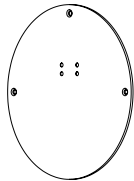
E

Plug (x1)



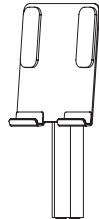
F

Hexagon wrench M2.5(x1)



AA

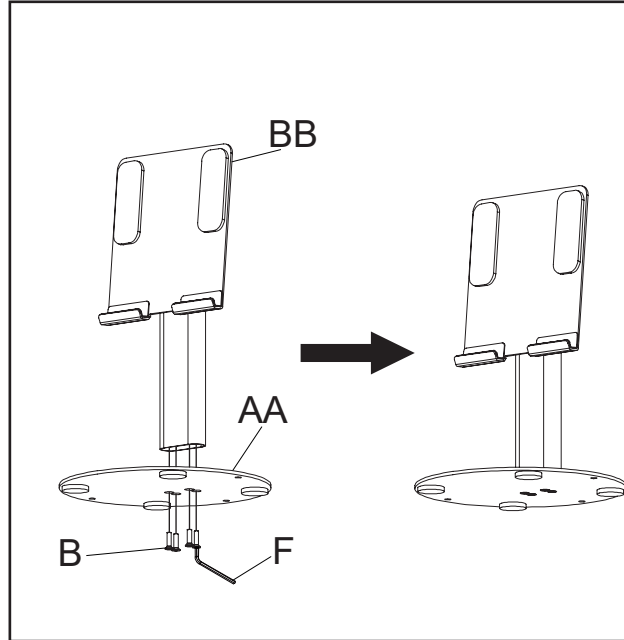
Round base (x1)



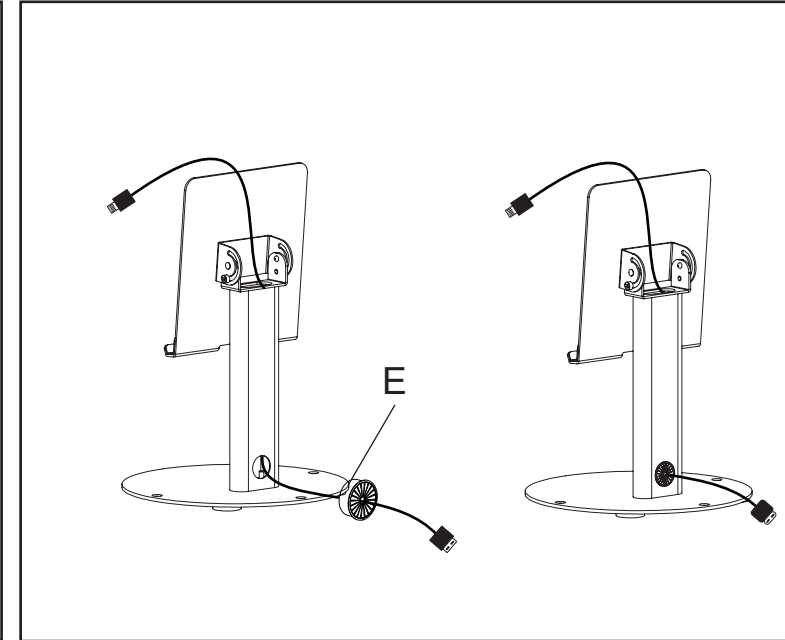
BB

Telescopic stand (x1)

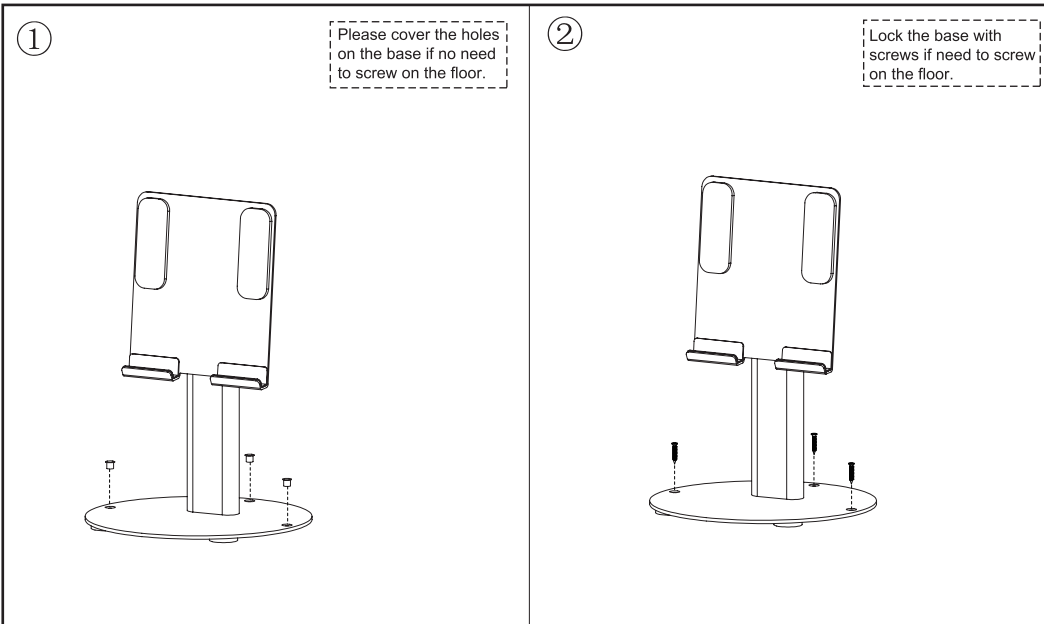
## STEP1: Lock the stand to the base.



## STEP2: Wire through plug back cover with plug.



## STEP3: Two fixing ways.



## STEP4: Mount the table.

