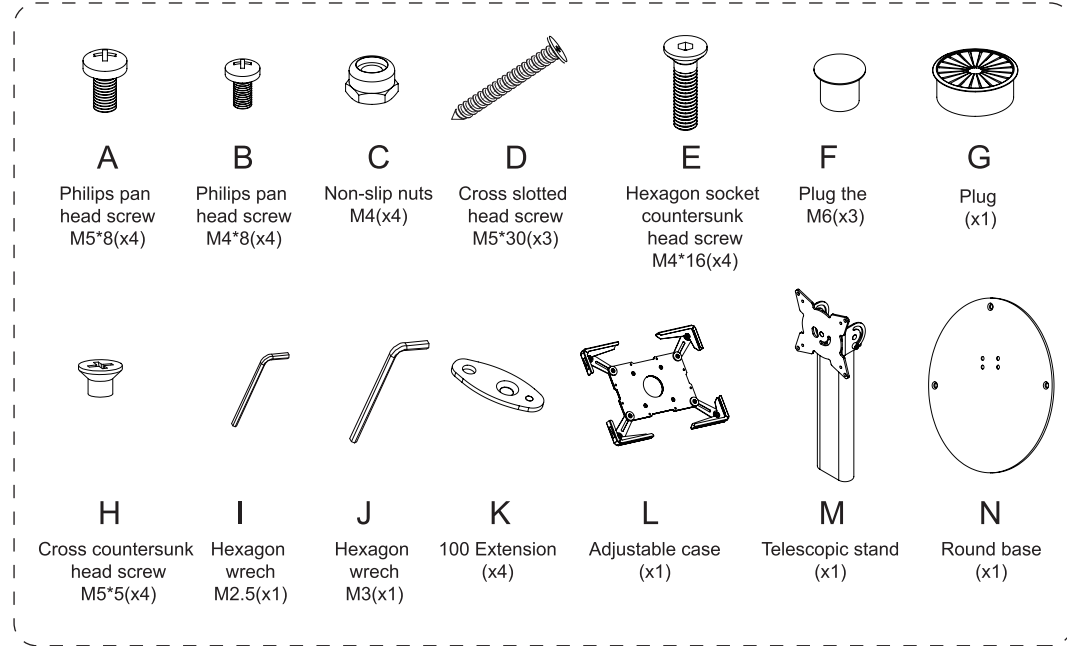


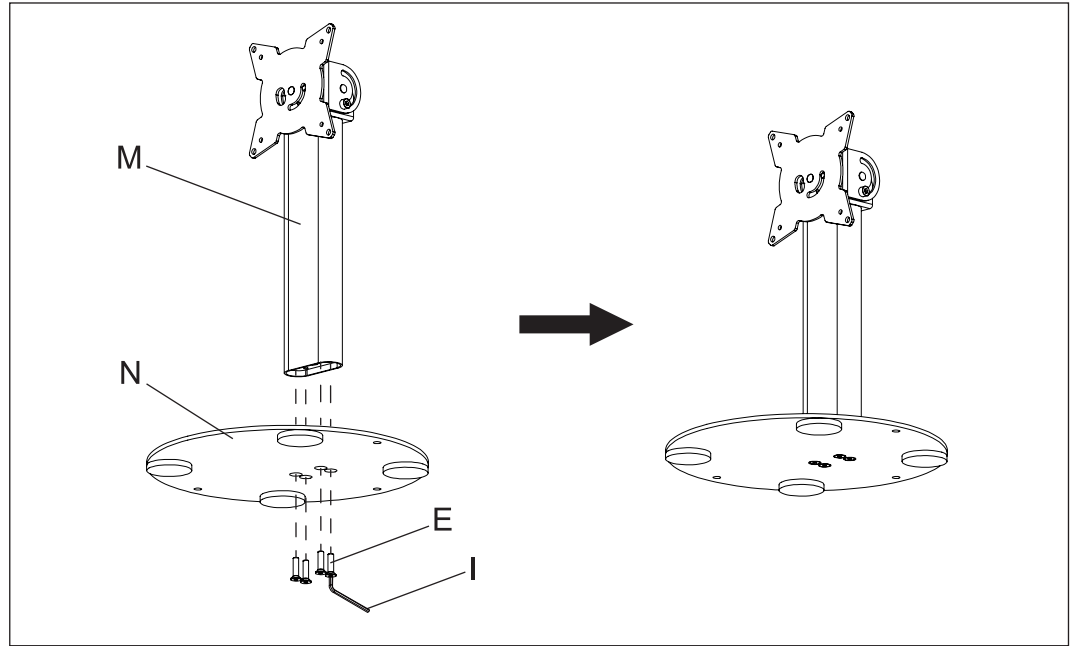
INSTALLATION INSTRUCTION

TMO-TAB-034

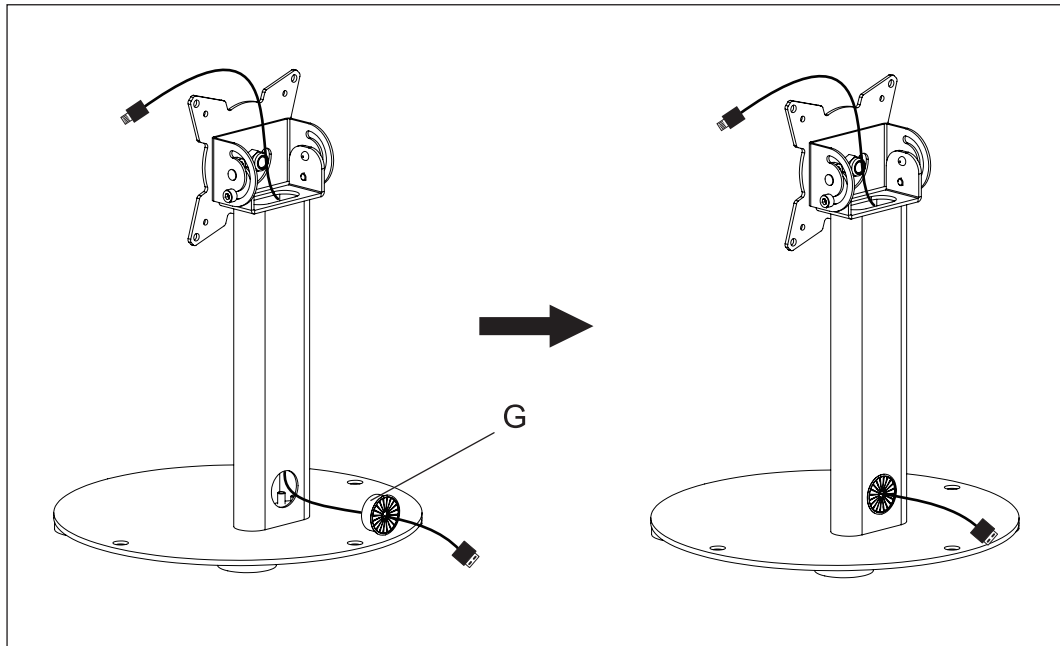
Components



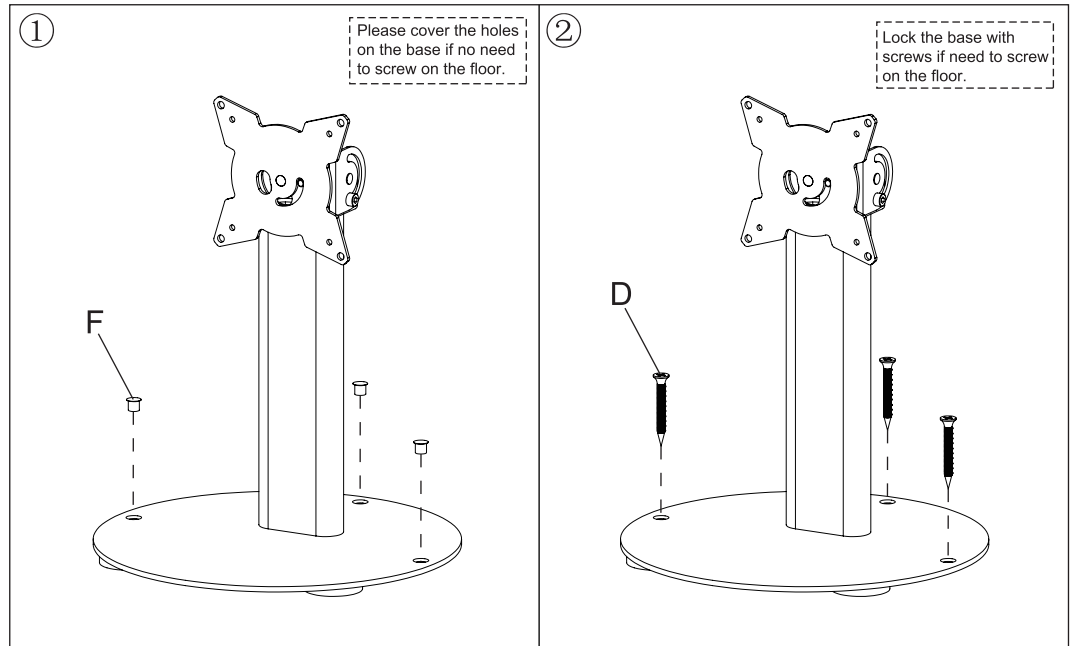
STEP1: Lock the stand to the base.



STEP2: Wire through plug back cover with plug



STEP3: Two fixing ways.



STEP4:Optional to extend VESA 100x100mm

STEP5:Mount the tablet.

