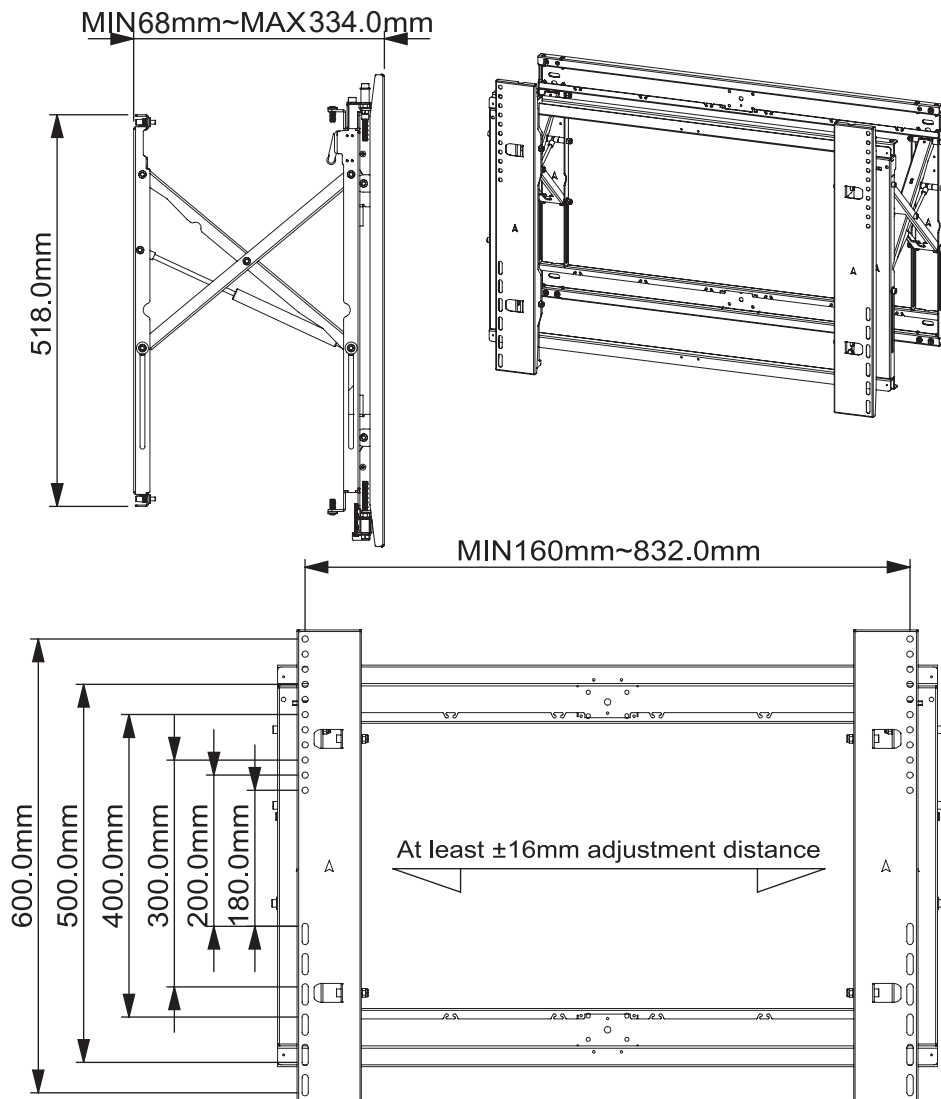


TMO-TVW-002
PRODUCT DIMENSIONS



INSTALLATION GUIDE

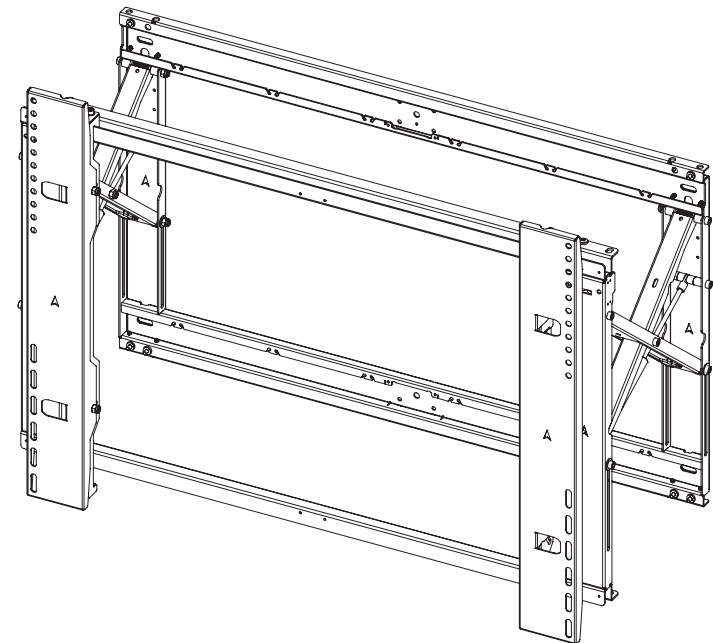
Video Wall Mount

TMO-TVW-002

Support 45" to 90" Screens

Max Load Capacity: 198 lbs (90 kg)

VESA 800x600 compatible



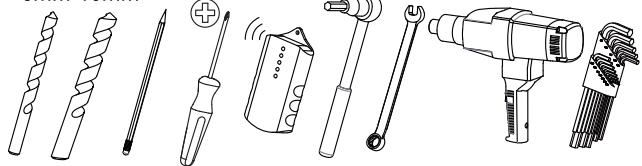
⚠ WARNING

- Be sure to read this entire manual thoroughly and you fully understand all the instructions and warning before attempting to begin your installation.
- This product should only be installed by someone who has a basic knowledge of building construction, installation and fully understands these instructions.
- Make sure that the supporting surface will safely support the combined load of the mount, the display and all attached hardware and components.
- This wall bracket will only supporting flat panel displays(LCD, Plasma). The maximum load capacity is 100 pounds.
- If mounting to a wall of wood stud construction, be sure that mounting bolt are anchored to the center of the studs, When installing the TV mount on a concrete wall, the wall must be at least 8"(203mm) thick with a minimum compressive strength from 2500 to 3000 psi (17.2 to 20.7 MPa), the concrete wall must meet ASTM C39. When installing the TV mount on a cinder block wall, the cinder blocks must meet ASTM C216 specifications and have a minimum nominal width of 8"(203mm). Be sure to mount in a solid part of the block, generally 1"(25 mm) minimum from the side of the block. Do not drill into mortar joints! If plaster/drywall is thicker than 16mm, custom fasteners must be supplied by the installer.
- Always have someone assist you to lift and position your equipment.
- Tighten screws and bolts firmly, but do not over tighten. Over tightening can damage the items and greatly reduce their ability to hold. Please refer to suggested torque values where applicable in these instructions.
- Screws must be tightly secured, but do not overtighten any screws (especially the four hex bolt screws M8x63.5mm) or damage can occur and product may fail.

Tools Needed for Assembly

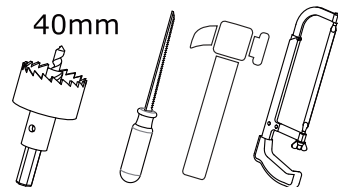
Required Tools

6mm 10mm



Optional Tools

40mm



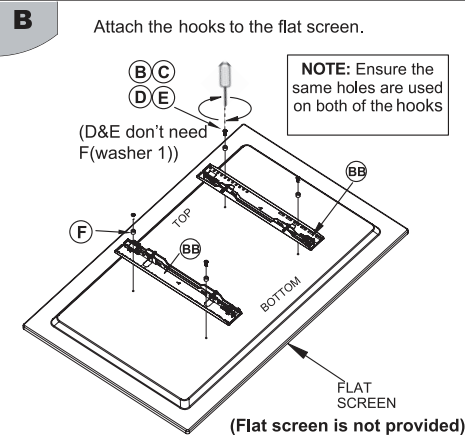
Before you begin, please verify that all components are included and undamaged. If any parts are missing or damaged, contact Product supplier, Never proceed with missing or damaged parts!

Lay out all components and make sure you identify that each one has a match in the diagram. Some of the parts included will not be used during installation. Do not proceed if you do not understand and identify all of the components.

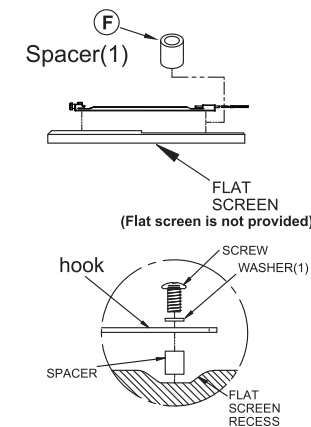
Table of Contents

Parts List	3
Assembly Outline 	4
Install to Solid Concrete or Cinder Block	5
Install to Single Wood Stud Wall	6
Installation of the screen	7
Product dimensions	8

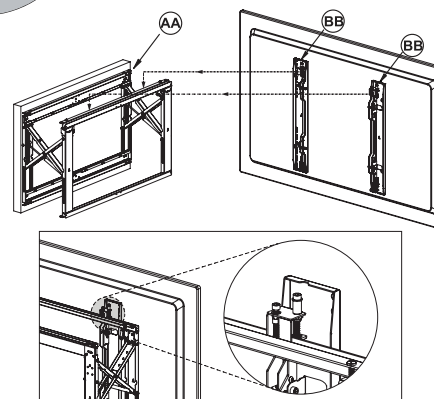
Installation of the screen



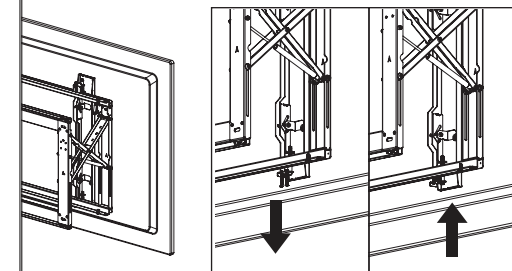
FOR SCREENS WITH RECESS FIXINGS



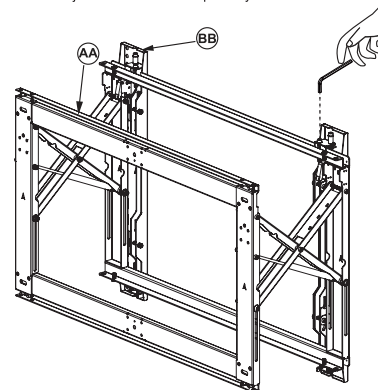
C Hook the screen with hooks onto the mount.



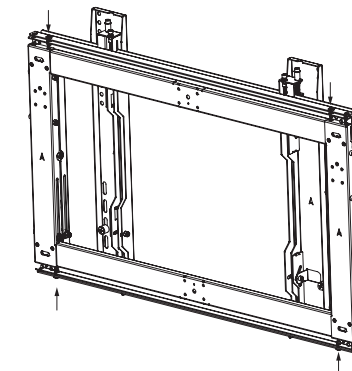
secure the hooks to the mount using the locking tabs on both hooks.



D After the TV is installed, if the TV was not in a horizontal line, people can adjust the TV by the screws, the max adjustable distance is 15mm and can be adjusted at two sides separately.



E By tightening the four screws, the bracket can be prevented from accidentally popping open.



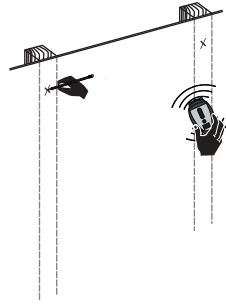
Install to Single Wood Stud Wall

⚠ WARNING

- Installer must verify that the supporting surface will safely support the combined load of the equipment and all attached hardware and components.
- Tighten wood screws so that wall plate is firmly attached, but do not overtighten. Overtightening can damage the screws, greatly reducing their holding power.
- Make sure that mounting screws are anchored into the center of the stud. The use of an "edge to edge" stud finder is highly recommended.
- Hardware provided is for attachment of mount through standard thickness drywall or plaster into wood studs. Installers are responsible for providing hardware for other types of mounting situations.

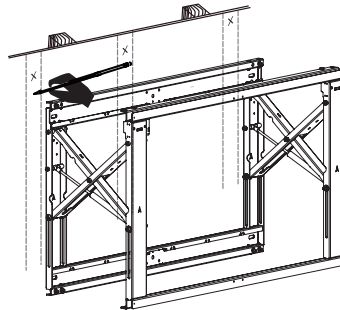
⚠ You must secure the mount to two wall studs with two lag bolts for each stud.

- 1) Use a stud finder to determine the exact center of wall studs in the vicinity of the mount.
- 2) Use a pencil to mark the exact center of each of the wall studs.

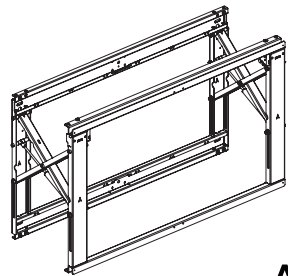


Two people are recommended for this step; one person to level the mount and another person to mark the wall stud location.

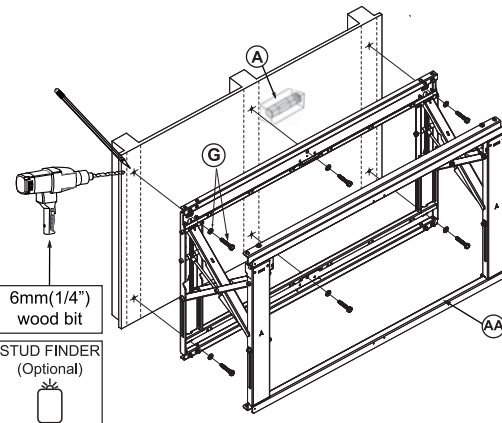
- 1) Place the mount against the wall in the desired viewing location.
- 2) Adjust the mount to align the mount slots in the mount with the center of the wall studs.
- 3) Level the mount.
- 4) Use a pencil to mark the upper right mounting location along the center of the wall stud.



Take out the AA, installation requires two people



AA



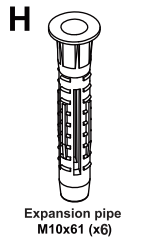
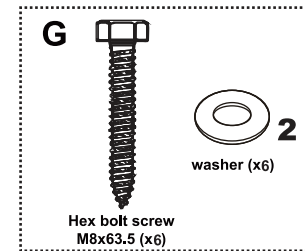
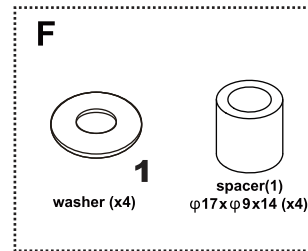
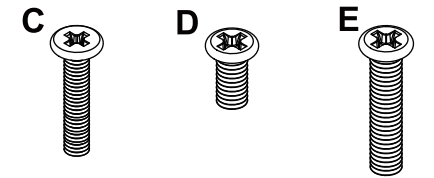
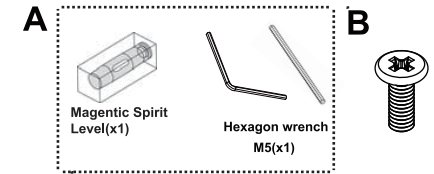
6mm (1/4") wood bit

STUD FINDER (Optional)

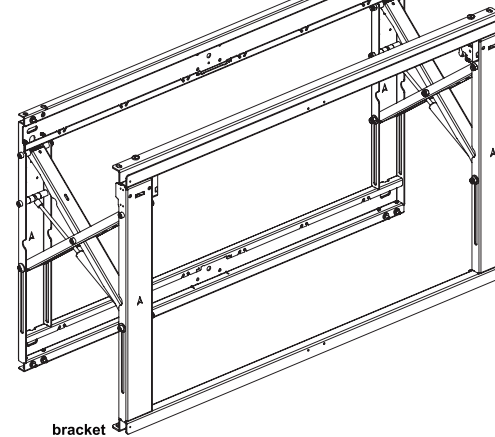
Before you begin, make sure all parts shown are included with your product. Parts may appear slightly different than illustrated.

Parts List Description

A	Magnetic Spirit Level	1	15x15x40
	Hexagon wrench	1	M5
	Hexagon wrench	1	M5
B	philips pan head screw	4	M6x12
C	philips pan head screw	4	M6x25
D	philips pan head screw	4	M8x12
E	philips pan head screw	4	M8x25
F	washer(1)	4	φ16x φ6.2 x1.0
	spacer(1)	4	φ17xφ9x14
G	washer(2)	6	φ16xφ8.2x1.5
	Hex bolt screw	6	M8x63.5
H	Expansion pipe	6	M10x61

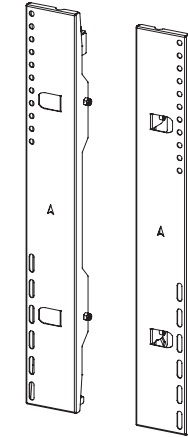


AA



bracket

BB

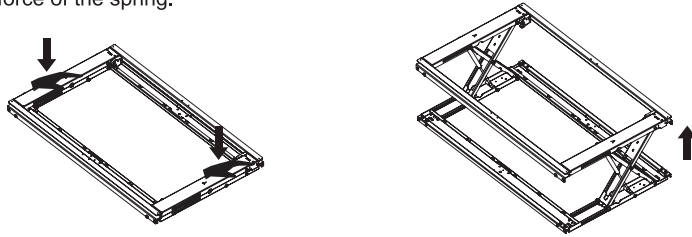


hook

Assembly Outline (At least two people are needed)

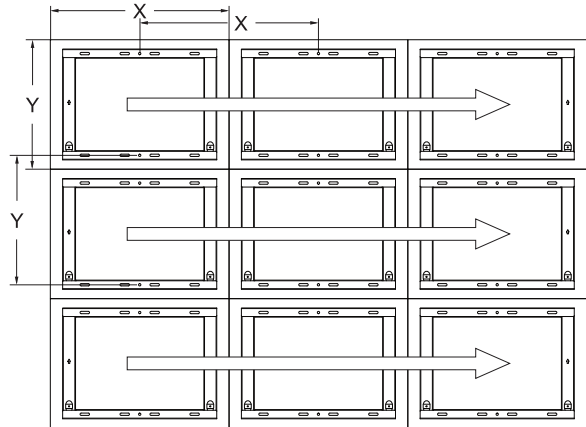
Confirm the installation environment, then fix wall plate to the wall using the following methods.

STEP1 Take out the packaged bracket, push two sides of it by hands, it will open based on the force of the spring.

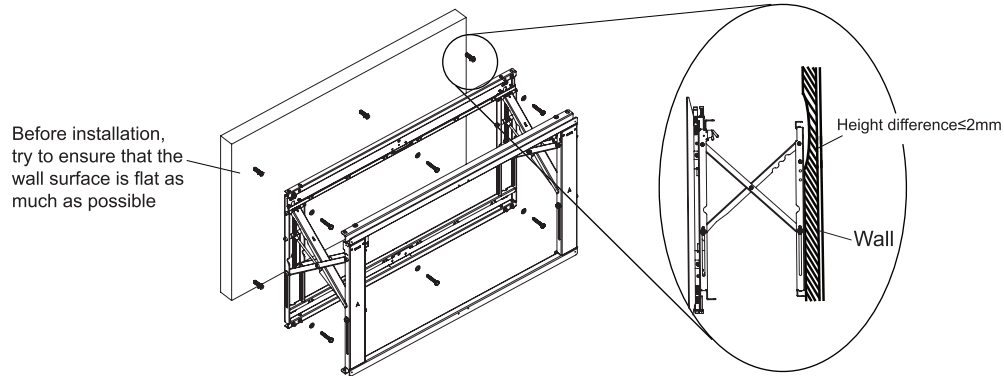


STEP2

Before installation, check the length and the width of the TV, take the TV center as reference of the install center. (The tvs have narrow sides, measure the length "x" and width "y")



Before installing the bracket, ensure that the wall surface is flat, and the height difference between any installation hole wall of the bracket and other installation hole walls should not exceed 2mm

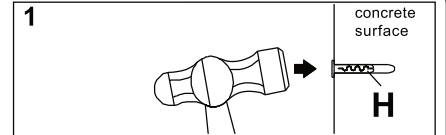


Install to Solid Concrete or Cinder Block

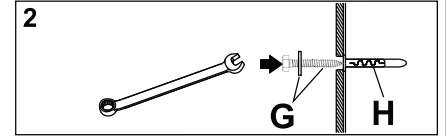
WARNING

- When installing the wall mount to cinder block, verify that you have a minimum of 1-3/8" of actual solid concrete thickness in the hole to be used for the concrete anchors. Do not drill into mortar joints! Be sure to mount in a solid part of the block, generally 1" minimum from the side of the block. Cinder block must meet ASTM C-90 specifications. It is recommended that a standard electric drill set on a slow setting is used to drill the hole instead of a hammer drill to avoid breaking out the back of the hole when entering a void or cavity.
- Concrete must have a 2000 psi density minimum. Lighter density concrete may not hold the concrete anchor.
- Make sure that the supporting surface will safely support the combined load of the equipment and all attached hardware and components.

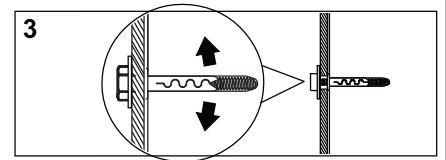
A Use wall plate of (AA) as template to mark mounting holes. Drill four 3/8" (10 mm) dia. holes 2.5" (65 mm) deep. Insert concrete anchor (H) in holes flush with the wall as shown (right). Place wall plate over anchors and secure with M8x 63.5 screws (G) and Washer 2 (G). Level, then tighten all fasteners.



1 Drill holes and insert anchors (H).



2 Place wall plate of (AA) over anchors (H) and secure with (G).



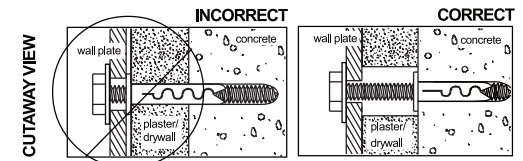
3 Tighten all fasteners.

WARNING

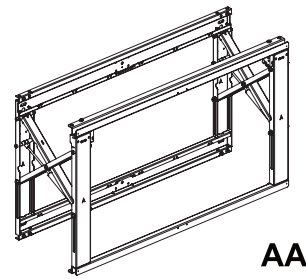
- Tighten screws so that wall plate is firmly attached, but do not overtighten. Overtightening can damage screws, greatly reducing their holding power.

WARNING

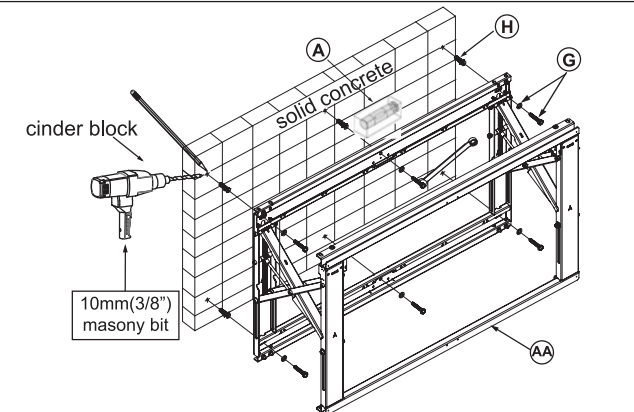
- Always attach concrete anchors directly to load-bearing concrete.
- Never attach concrete anchors to concrete covered with plaster, drywall, or other finishing material. If mounting to concrete surfaces covered with a finishing surface is unavoidable, the finishing surface must be counterbored as shown below. Be sure concrete anchors do not pull away from concrete when tightening screws. If plaster/drywall is thicker than 5/8", custom fasteners must be supplied by the installer.



Take out the AA, installation requires two people



AA



10mm (3/8") masonry bit