

INSTALLATION GUIDE

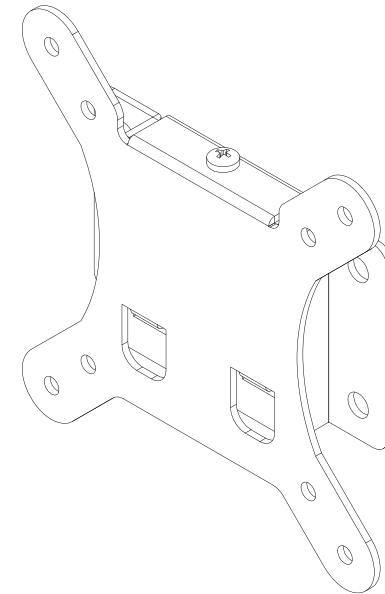
Flat Panel Mount

TMO-WMT-006

Support 10" to 26" Screens

Max Load Capacity: 30 lbs (15 kg)

VESA 75x75 / 100x100 compatible



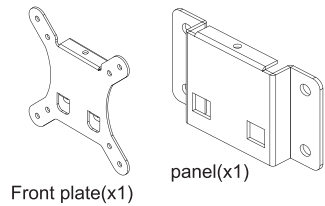
Installation Instructions

Flat panel 10"-26"

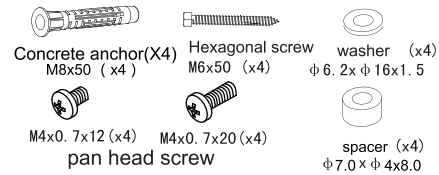
Important Note:

- This bracket supports plasma, LCD displays, the maximum loading capacity is 30lbs.
- VESA: 75x75 (3"x3") 100x100 (4"x4") compatible.

Component Checklist:

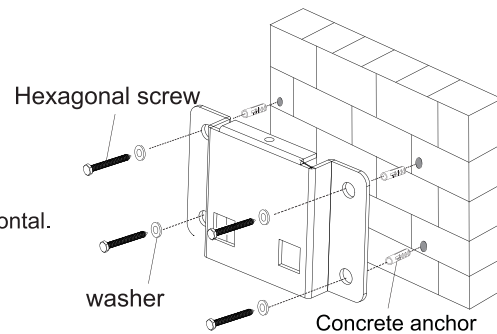


Part List



A Mounting the wall plate

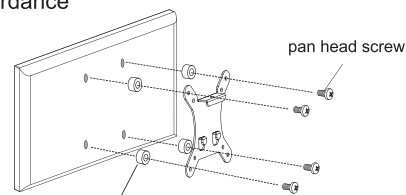
NOTE: Use a level to ensure the wall plate is horizontal.



B Fix the front plate on the display screen

NOTE: Make sure the installation in accordance with following pictures.

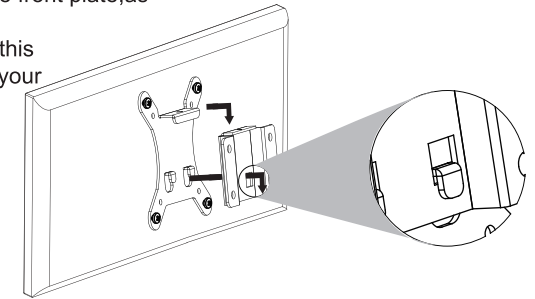
VESA: 75x75 / 100x100



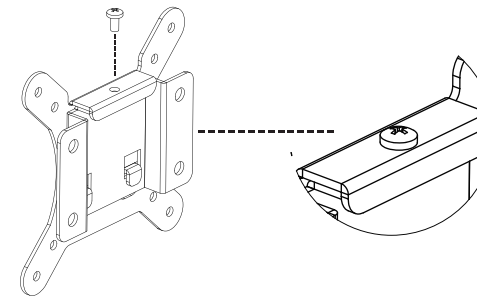
According to the need to use this spacer

C Put the front plate on the wall panel

- Hang the locked screen on the front plate, as shown in the right picture.
- Be careful when you operate this bracket, or you may damage your screen.



D Fix the wall plate and front plate



- After the locked front plate is hanging on the wall plate, use a M4X12 cross pan head to fix these two parts.