

# Installation Instructions

TMO-WMT-007

## Parts List

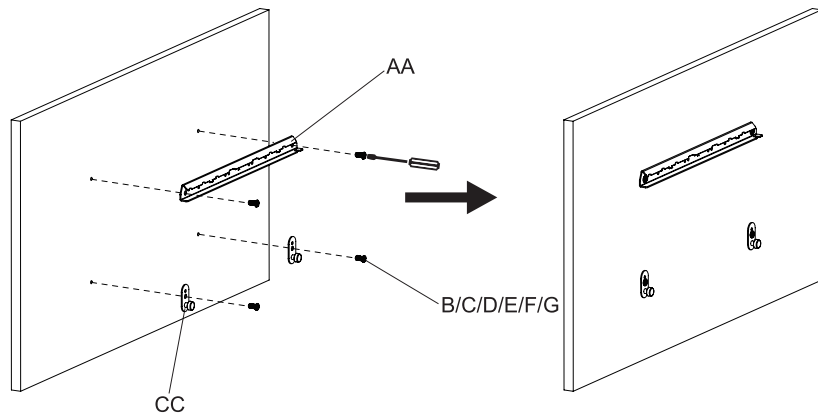
**Parts List:**

- A** magnetic spirit level (x1)
- A** nails (x13)
- B** pan head screw M4x12(x4)
- C** pan head screw M4x25(x4)
- D** pan head screw M5x12(x4)
- E** pan head screw M5x25(x4)
- F** pan head screw M6x12(x4)
- G** pan head screw M6x25(x4)
- H** Metal spacer  $\phi 16 \times \phi 6.2 \times 1.0$ (x4)
- H** spacer  $\phi 9 \times \phi 17 \times 14$ (x4)
- AA** TV Mounting Bracket
- BB** Wall Bracket
- CC** Supporting Bracket

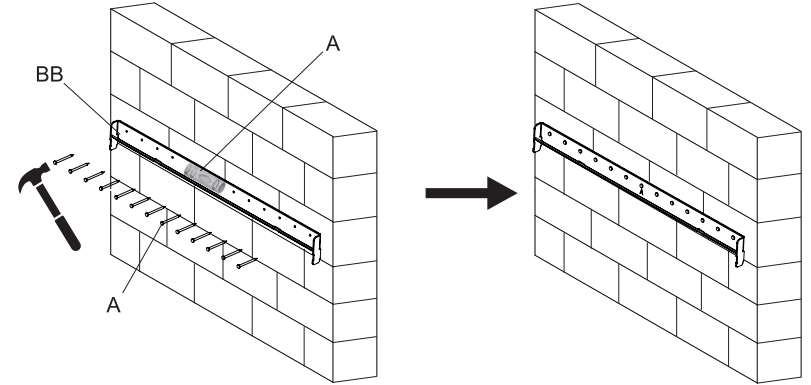
**Tools Required:**

- hammer
- phillips screwdriver

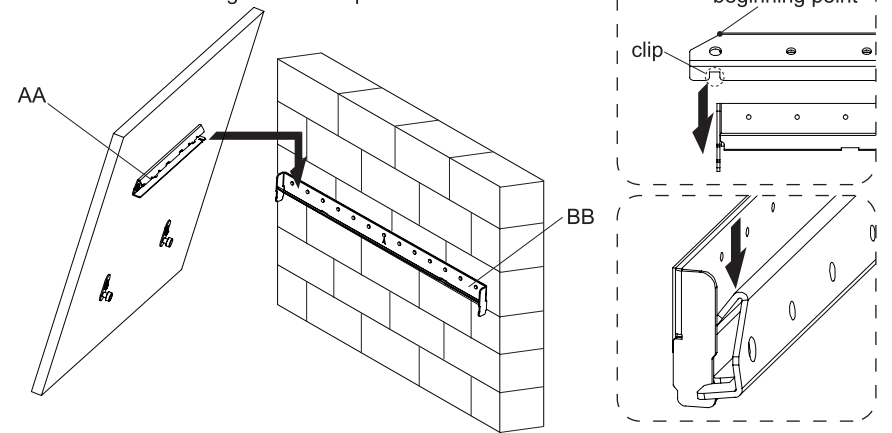
**STEP1:** Fix the TV mounting bracket and supporting bracket to the TV.



**STEP2:** Position with magnetic spirit level and fix the wall bracket with nails.



**STEP3:** Mount the TV to the wall bracket. Make sure beginning point of AA and BB touch together and clip can be matched in.



**STEP4:** Slide the TV to the right side end, TV locked. If taking off TV, remember to slide to left side.

